

ROADSTER

RDSP13

Roadster Pressure Balance Shower Package with 2 3/4" Head, Handshower, Tub Spout and Diverter Cross Handle



SHOWN IN ROADSTER PRESSURE BALANCE SHOWER PACKAGE WITH 2 3/4" HEAD, HANDSHOWER, TUB SPOUT AND

TECHNICAL DETAILS

Suggested Application: Bath
Water Pressure Maximum: 85.0 psi
Water Pressure Minimum: 20.0 psi
Water Pressure Recommended: 45.0 psi

INSPIRATION

Inspired by vintage sports cars, these classic yet sharp silhouettes feature octagonal indices and geometric forms: perfect for giving any bath a dash of retro cool.

CODES & STANDARDS

See individual component styles for Code Compliance. RDSH01, UNSH38, RDPB10, GUPB81, RDHS01, UN3PR1, GUDV65, RDVC40, RDT580

PRODUCT FEATURES

This shower package is composed of the following product styles: RDSH01, UNSH38, RDPB10, GUPB81, RDHS01, UN3PR1, GUDV65, RDVC40, RDT580

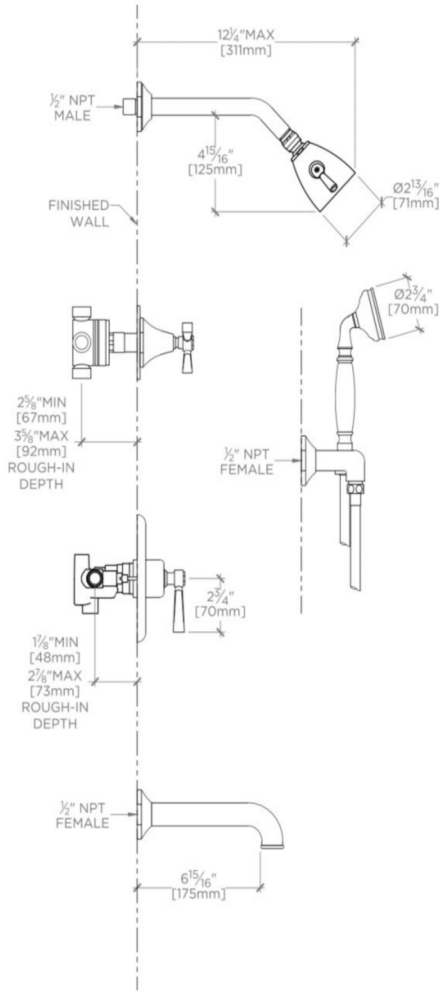


WATERWORKS

ROADSTER

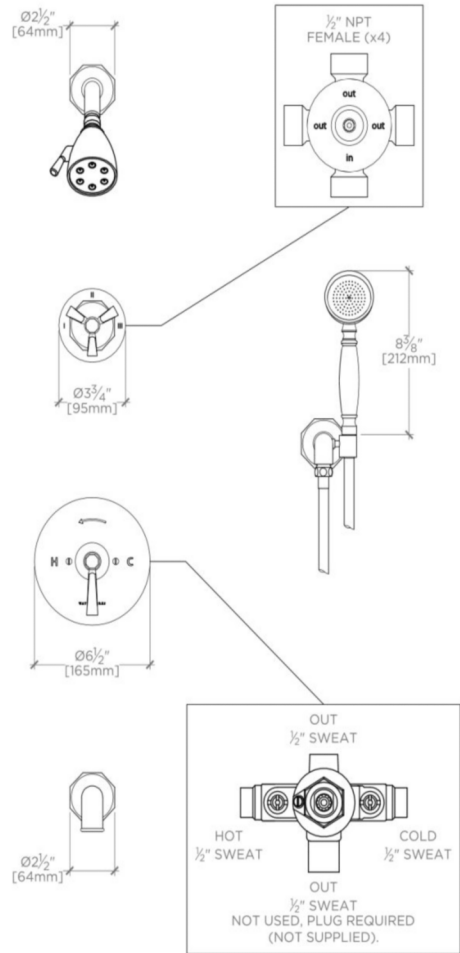
RDSP13

Roadster Pressure Balance Shower Package with 2 3/4" Head, Handshower, Tub Spout and Diverter Cross Handle



RDSP13 SIDE VIEW

THIS DRAWING IS NOT INTENDED FOR USE AS A PIPING SCHEMATIC



RDSP13 FRONT VIEW