

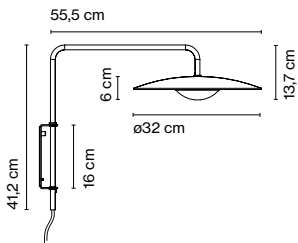
Ginger

Joan Gaspar

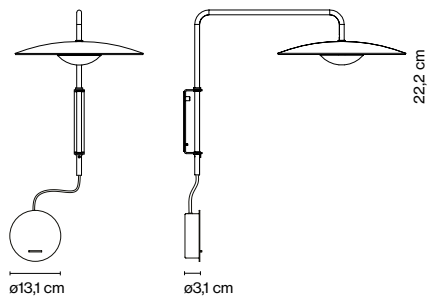
marset



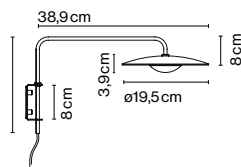
Ginger A (Plug-in)



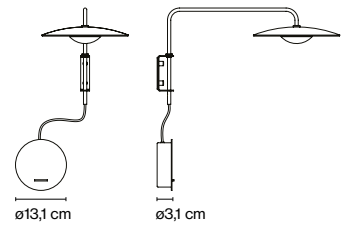
Ginger A (Hardwired)



Ginger 20 A (Plug-in)



Ginger 20 A (Hardwired)



Ginger A

LED SMD 11,5W 700mA
2700K CRI90
Luminaire 350lm
Light Source 1066lm
(included)

Ginger 20 A

LED SMD 6W 700mA
2700K CRI90
Luminaire 139lm
Light Source 546lm
(included)

- Oak
- Wenge

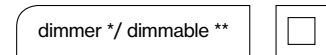
Black electrical cord

Connections available: plug-in, hardwired or recessed

* Plug-in wall fixtures: inline motion sensor dimmer

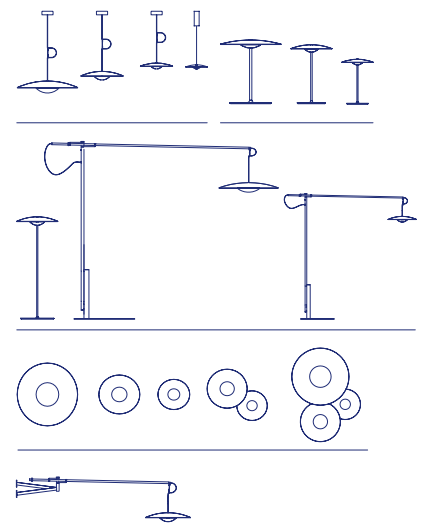
** Hardwired wall fixtures: dimmable

Pressed wood diffuser of 4 mm in natural oak or wenge. Injected aluminium dissipater and metal structure in lacquered black matte.



- [Download](#) Assembly Instructions
- [Download](#) Photometric Data
- [Download](#) 2D
- [Download](#) 3D
- [Download](#) Energy label

Range



Watch the video
info@marset.com
www.marset.com

This wall version adds a simple folding structure to the lampshade, turning it into the perfect lamp for the head of a bed, to illuminate a reading corner or even to be used as an occasional lamp over a table.

How Ginger illuminates

Ginger 20 A

Ginger A

