

Collection

## ONLY ONE

Article

### 00396

Description

**Five holes deck mounted bath filler with shower kit.**

Box Dimensions

**455x310x75 mm**

Weight

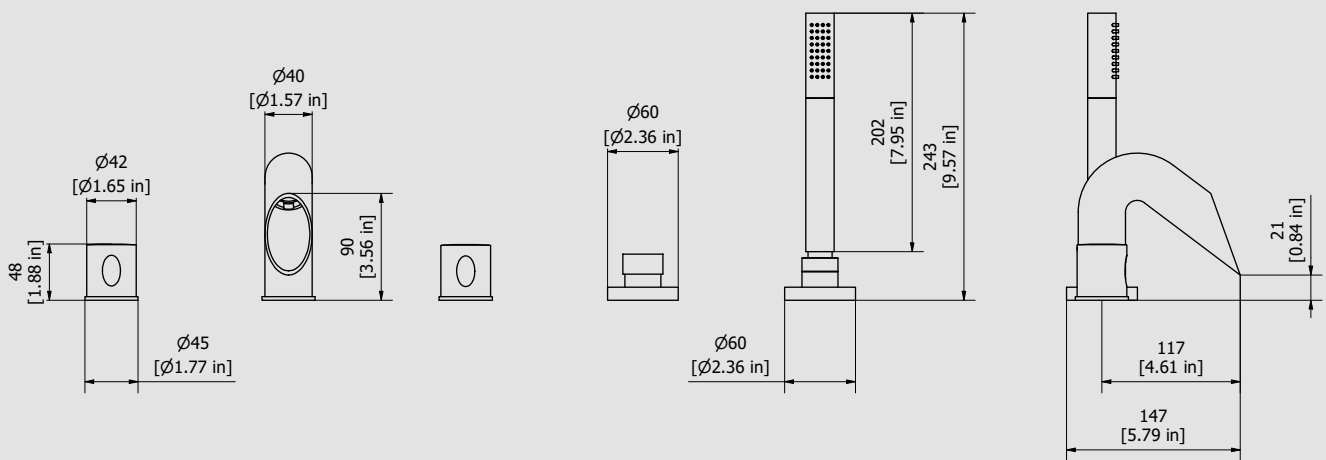
**5 kg**

Finishes

- CC**  
CHROME
- PL**  
PLATINUM
- SS**  
BRUSHED  
NICKEL
- ON**  
NATURAL  
BRASS
- BO**  
MATT  
WHITE
- NP**  
MATT  
BLACK
- CF**  
BLACK  
CHROME
- CS**  
BRUSHED  
BLACK  
CHROME
- II**  
PALE  
GOLD
- IS**  
BRUSHED  
PALE GOLD
- RS**  
ROSE  
GOLD
- SR**  
BRUSHED  
ROSE GOLD
- OO**  
GOLD
- OS**  
BRUSHED  
GOLD
- RR**  
ANTIQUÉ  
COPPER
- BB**  
ANTIQUÉ  
BRONZE



Dimensions



Cartridge

**Ceramic headwork**

Threaded fitting

-

Aerator

-

Flow Rate (+/-10%)

1 BAR	2 BAR	3 BAR
9 l/m	28 l/m	34 l/m

Production

**Main body is a single casted pieces.**

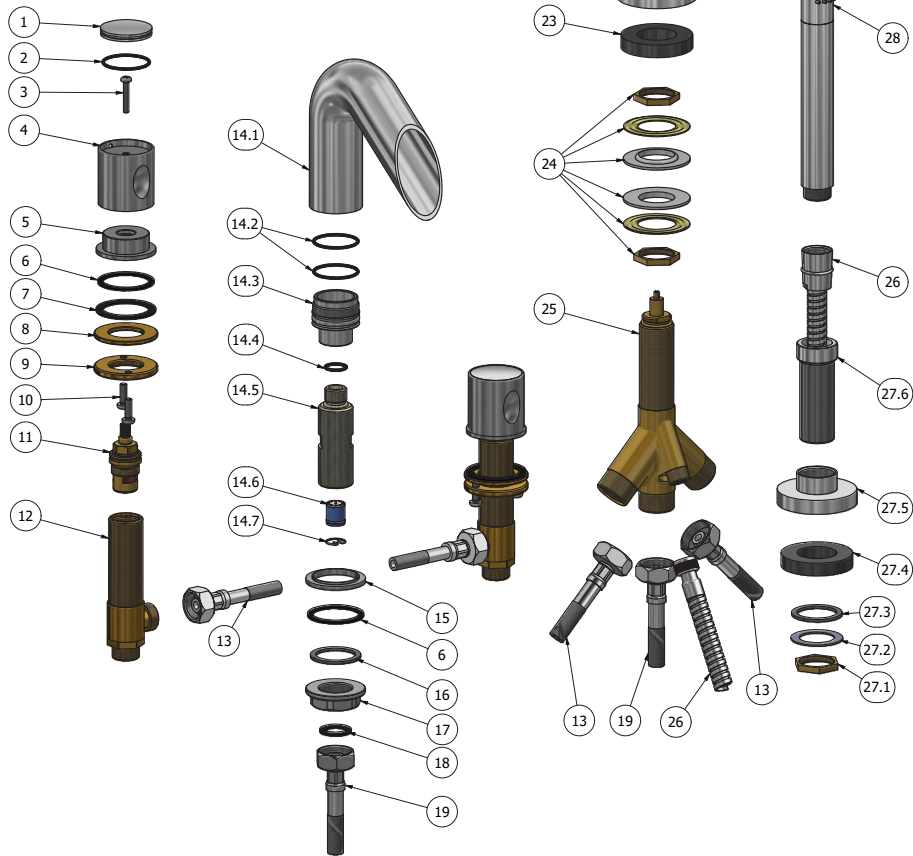
Material

**BRASS**  
According to CuZn35Pb2Al-B (CB752S)  
Max Lead content: 1.36%



WE ARE IB

Elenco parti			
ELEM.	CODICE	NUMERO DI MAGAZZINO	QTÀ
1	AC0009674	Plug cover for lever	2
2	AQ0008026	OR 33.05x1.78 NBR 70 SH	2
3	AQ0010798	Screw M4x25	2
4	AC0010574	Handle Ø42 H44 Ø8 Z20	2
5	AC0010575	Headwork cover Ø45 Ø35 H15 M24x1	2
6	AQ0008012	Plane seal Ø42.5x35.5x2	3
7	AQ0008013	Rubber packing 45x35x2	2
8	AS0010697	Washer Ø48 x Ø26.5 x3	2
9	AS0010698	Ring nut W26x19	2
10	AQ0010358	Screw M5x16	4
11	AQ0003930	Ceramic headwork 90° right	2
12	AS0002250	Washbasin upright W26x19	2
13	AQ0009553	Terminal flex G1-2	2
14	CPK00396CCX01	Preassembled spout-out	1
14.1	CC0001888	Spout-out Ø40 H121.5 L137	1
14.2	AQ0009816	OR 31.47x1.78 NBR 70 SH	2
14.3	AC00011012	Adapter M35x1.5 G3/8 H36	1
14.4	AQ0009818	OR 14x1.78 NBR 70 SH	1
14.5	AN0010971	Threaded fixing stem G3/4" G3/8" H76 with seat valve	1
14.6	AQ0009090	Not return valve Ø14 (31.4114.00001)	1
14.7	AQ0009678	Elastic ring AISI 302	1
15	AC0010576	Base Ø45 H4.5	1
16	AQ0009716	Rubber packing 38x30x2	1
17	AC0009900	Flange 3/4" H.13	1
18	AQ0010009	Rubber packing G3/4" 24x16x3	1
19	AQ0012033	Flex inox G3/8"	4
20	AC0011032	Knob Ø34 Ø31 H19	1
21	AQ0012017	Reduction nut 26x19" 22x19"	1
22	AC0008013	Base for handle W26x19	1
23	AQ0011181	Sponge Ø54 Ø30 H.10	1
24	AQ0012015	Diverter's fixing set	1
25	AQ0012014	Diverter 4 ways (GB2009)	1
26	AQ0009555	Terminal d/agg G3/8" F G1/2" cono L150	1
27	CP9447CC-1	Preassembled handshower support	1
27.1	AS0002010	Clamping nut 26 x 19 H5 CH30	1
27.2	AQ0001650	Inox washer 39 x 26,5 x 1	1
27.3	AQ0009716	Rubber packing 38x30x2	1
27.4	AQ0011181	Sponge Ø54 Ø30 H.10	1
27.5	AC0008013	Base for handle W26x19	1
27.6	AC0009447	Connection piece 26x19 H76	1
28	AQ0013557	Onair hand shower	1





### WARRANTY

All IB Rubinetterie SpA products are warranted for 10 years from the date of purchase, for the following cases:

- Defects of casting, porosity and chrome plating.
- Operating defects caused by incorrect fabrication.

The warranty provides for repair or replacement of products with fabrication defects recognized by our technical office. There is no other type of compensation anche the merchandise must be returned FOB our warehouse. The warranty only cover surface defects (scatches, dings, etc.) on fitting that have not been installed and used, returned in its original packaging with all components. O-ring, gasket seals and components subject to wear proportional to use are warranted for 2 years.

### The warranty is void in the following cases:

Error installing and putting the product into service.

Deterioration of finished surfaces due to use of cleaning products containing acids or abrasive substances. Deterioration of surface with finishes other than chrome plating. Their durability is, in fact, dependent on the user's care and gentleness of use.

Deterioration of the fitting due incorrect installation.

Improper repairs and maintenance performed without the company's prior authorization.

The warranty from IB Rubinetterie SpA is not renewable.

### Cleaning

We recommended cleaning the finish surfaces with water and soap, using a soft cloth.

Do not use detergents that contain hydrochloric acid or abrasive substances.

