

# Toilet surface indicator for glass door

Knud Holscher Collection

d line

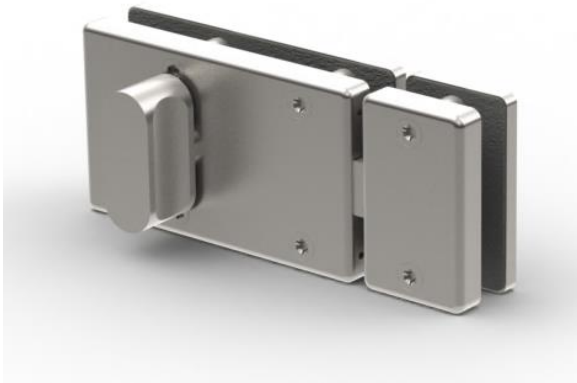
## PRODUCT DATA SHEET

ITEM NUMBER	SURFACE
14.3476.02.120	Satin stainless steel
16.3476.01.120	Polished stainless steel

### PRODUCT

Toilet surface indicator for glass door, cc38 mm, 10-12mm, reversible

### PICTURE



### TENDER TEXT

Toilet surface indicator for glass door. Outstanding classic danish design by Knud Holscher. Material: stainless steel AISI 316 satin finish, cc38 mm, 10-12mm, reversible. W:52 mm x H:86 mm x D:27,5 mm.

### PRODUCT SPECIFICATION

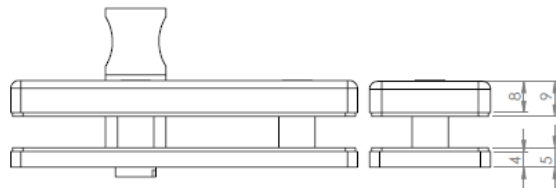
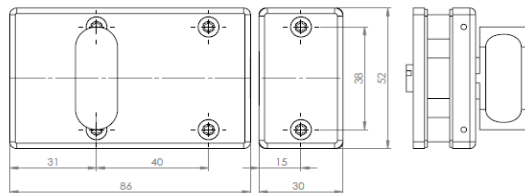
Dimensions: W:52 mm x H:86 mm x D:27,5 mm.

Material: stainless steel AISI 316

Surface finish: satin finish, crafted by hand

Warranty for stainless steel (non movable ) parts - 20 years

### DRAWING



### SPARE PARTS / ACCESSORIES:

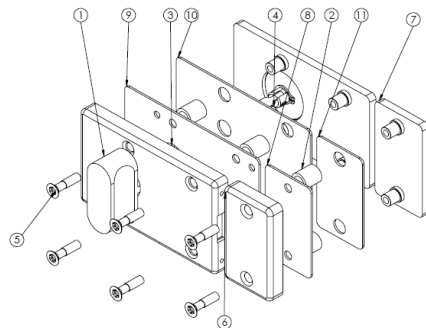
#### MOUNTING:

See instruction supplied with the product

#### PACKING:

1 pcs in a bag

### ISO-DRAWING



### PRODUCT CARE

d line products are produced in the highest quality stainless steel, marine grade, AISI 316. To sustain the unique d line finish appearance please follow the below instructions:

- Wash down the surfaces using soapy water or mild detergent
- Always thoroughly rinse off with clean water
- To complete the cleaning procedure dry/polish the surfaces with a soft dry cloth

Please do not use scouring powder, steel wool, chloride based detergents or other aggressive cleaning products as these may damage the surface.

If spots or corrosion appear on the surface it is not due to the stainless steel quality, but to impurities in the environment, aggressive conditions or improper or insufficient cleaning.