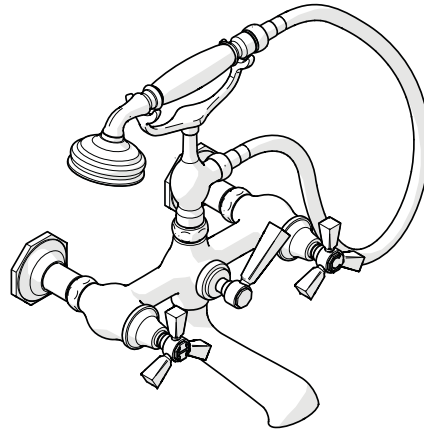


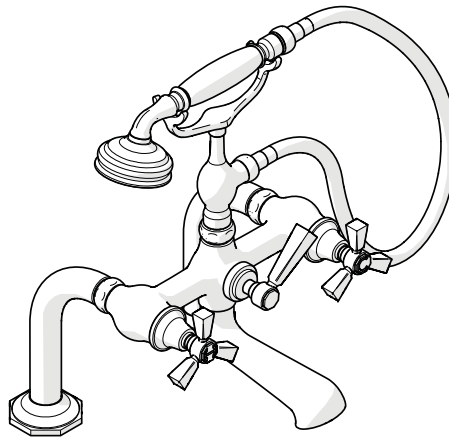
WATERWORKS STUDIO

SERVICE PARTS



STYLE RDXT20

Roadster Exposed Wall Mounted Tub Filler With Handshower and Tri-spoke Handles



STYLE RDXT40

Roadster Exposed Deck Mounted Tub Filler With Handshower and Tri-spoke Handles

WELCOME TO

WATERWORKS STUDIO

Over thirty years of experience distilled into signature fittings, surfaces, textiles, and accessories. Waterworks Studio is an edited collection of design solutions curated to be concise, engineered to be complete, and crafted for quality.

Everything you need, nothing more.

**TO ORDER PARTS CALL
1 (800) 927-2120 (EXT 2)**

Order by part number and specify color, finish, or other options if required.

Product Support

Our Product Support team provides troubleshooting and technical problem resolution, including replacement parts and installation recommendations throughout the life of your product.

Product Support is available Monday through Friday 8AM to 6PM EST.

**LIMITED LIFETIME
WARRANTY**

Our warranty covers repair and replacement of Waterworks products if within the applicable coverage period and deemed defective by Waterworks. Waterworks will, at its option, repair or replace such products; this does not include installation costs, labor charges, or other incidental or consequential costs.

To obtain your complete warranty or inquire about warranty service, please visit us at www.waterworks.com or contact our Product Support Team.

MAIN KITS

209940*
UNION KIT

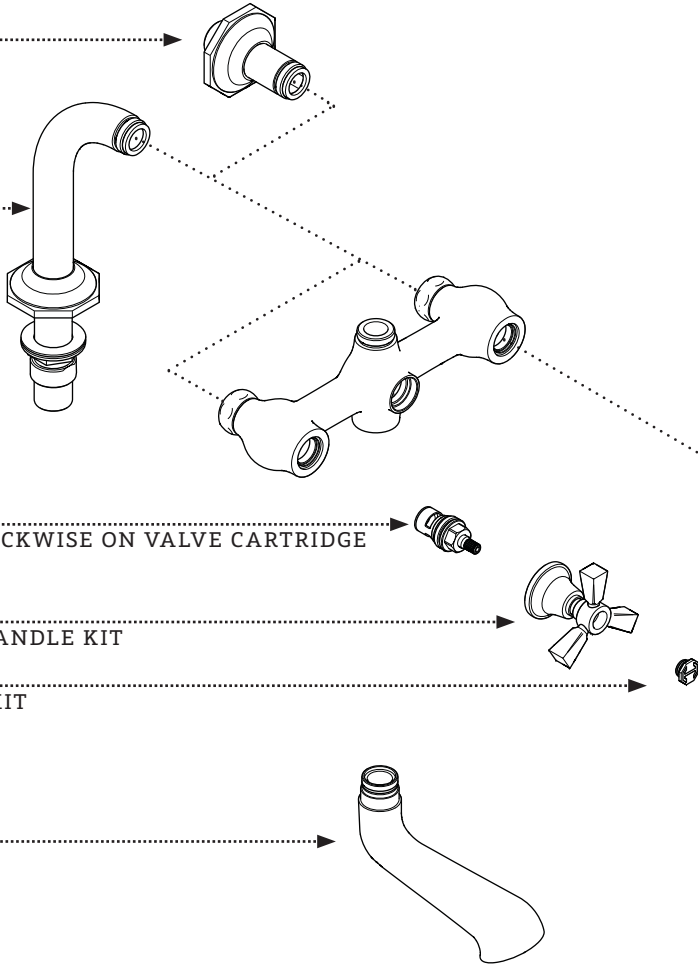
099303*
UNION KIT

337847
COUNTERCLOCKWISE ON VALVE CARTRIDGE

432450*
TRI-SPOKE HANDLE KIT

765789*
HOT INDICE KIT

194193*
SPOUT KIT



426362*
SPRAY KIT

781448*
HANDSHOWER HOSE KIT

723681*
HANDSHOWER CRADLE KIT

337847
COUNTERCLOCKWISE ON VALVE CARTRIDGE

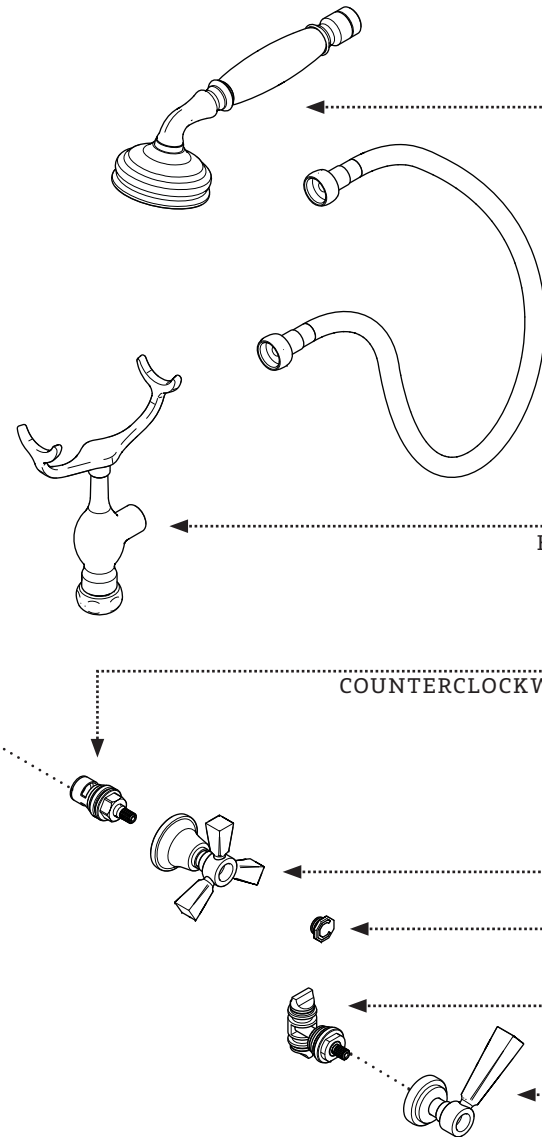
432450*
TRI-SPOKE HANDLE KIT

807778*
COLD INDICE KIT

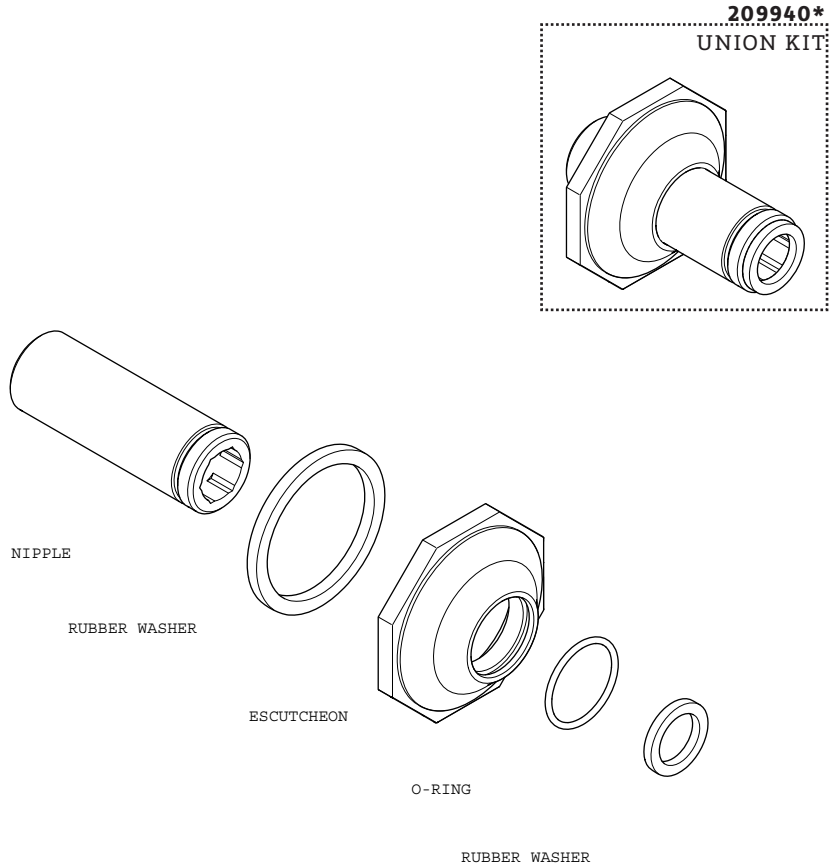
956299
DIVERTER KIT

816511*
DIVERTER HANDLE KIT

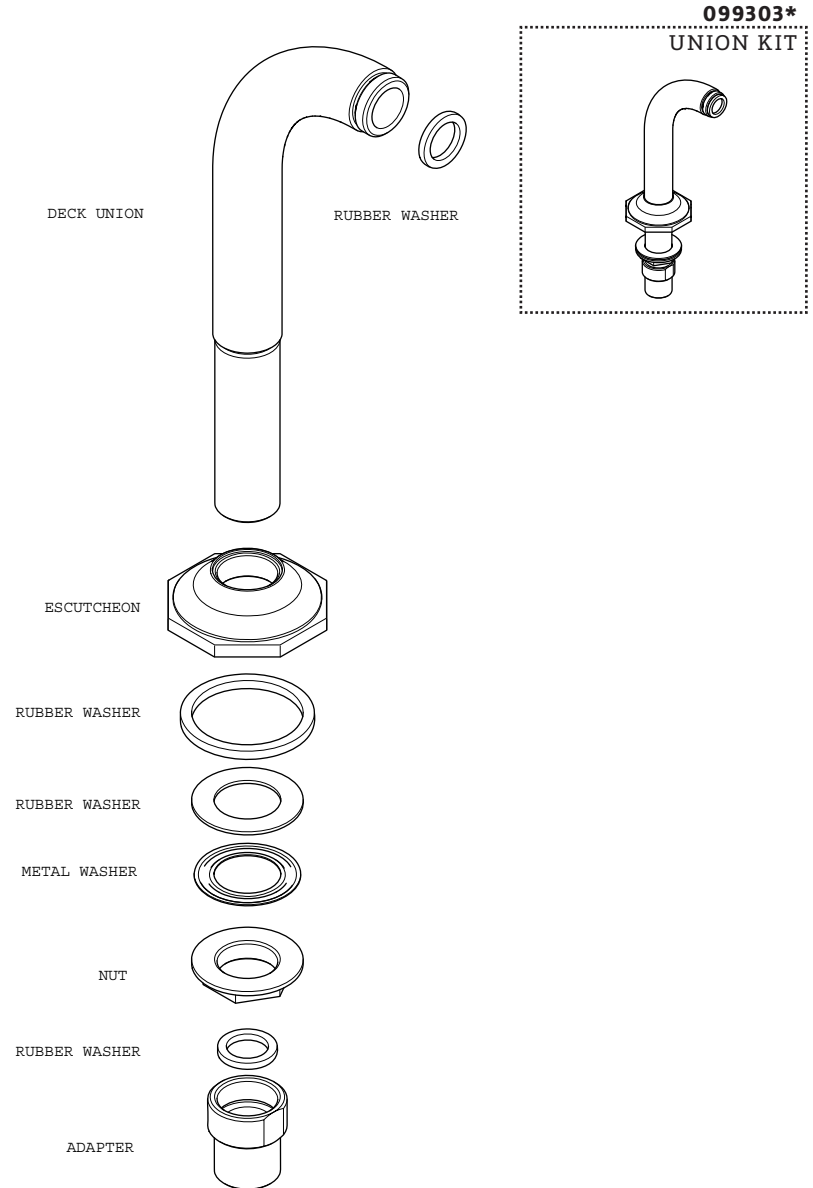
599239*
BLANK INDICE KIT



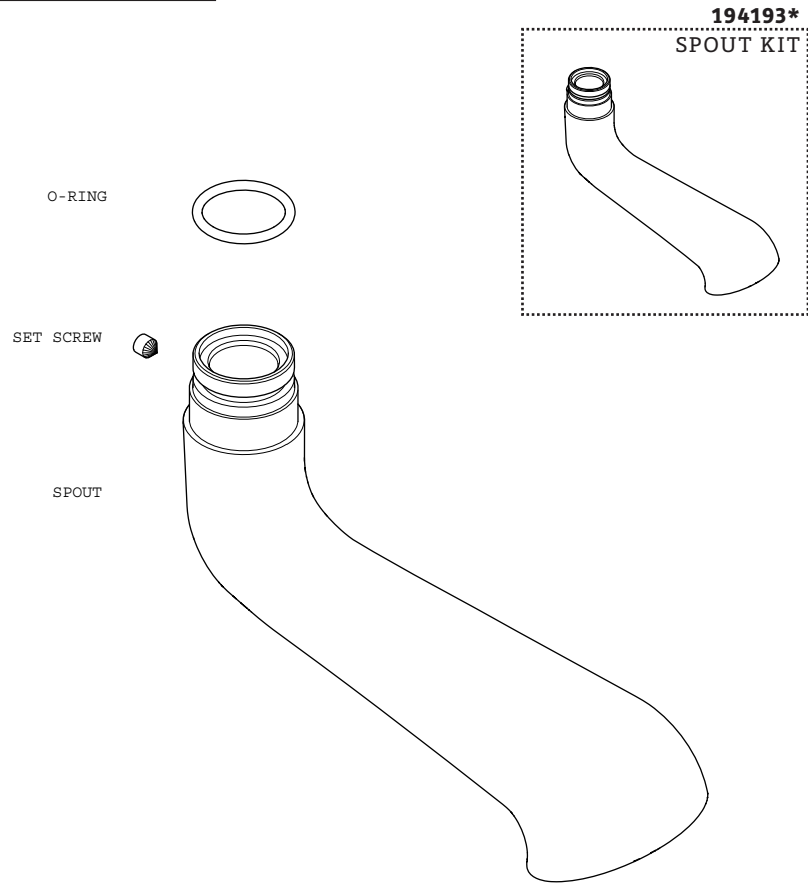
KIT COMPONENTS



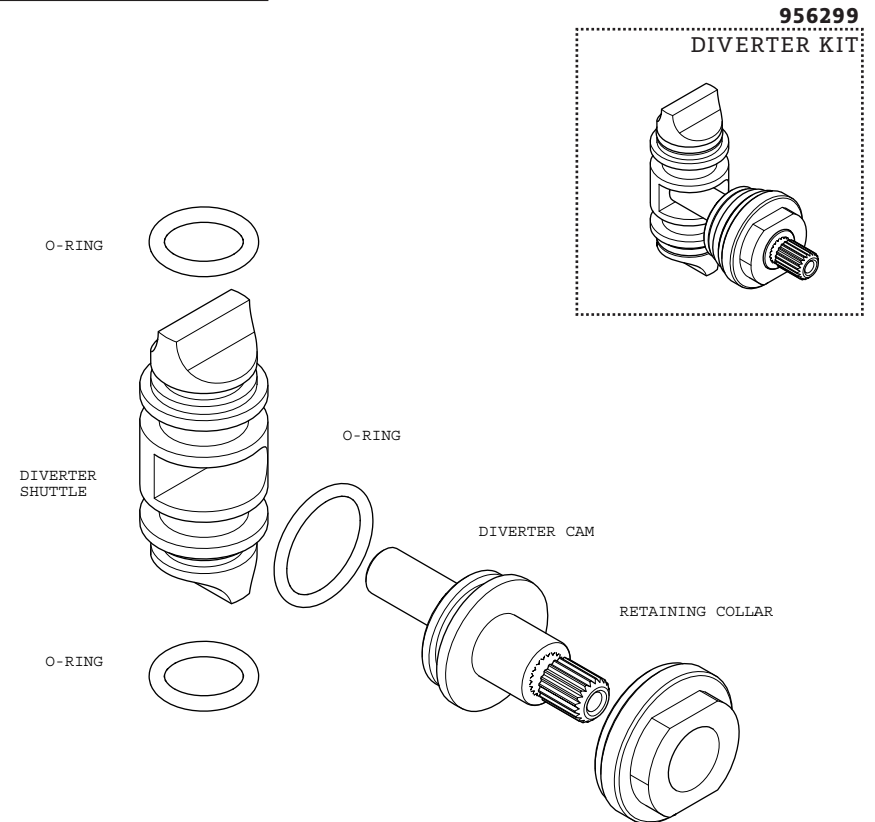
KIT COMPONENTS



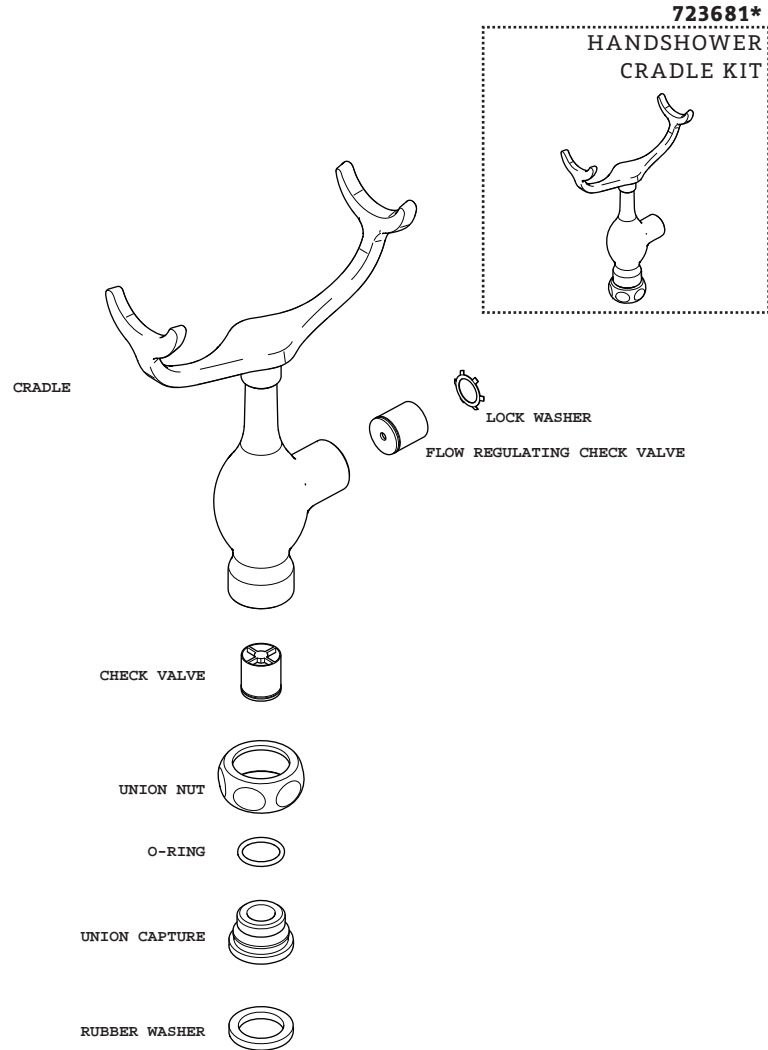
KIT COMPONENTS



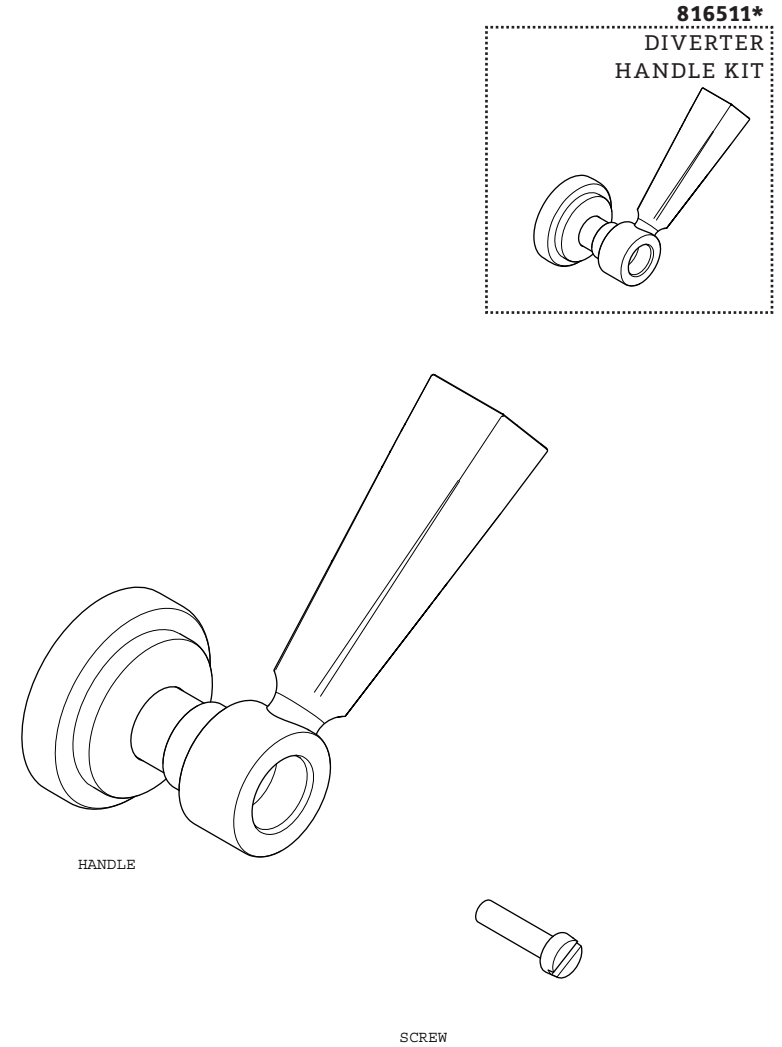
KIT COMPONENTS



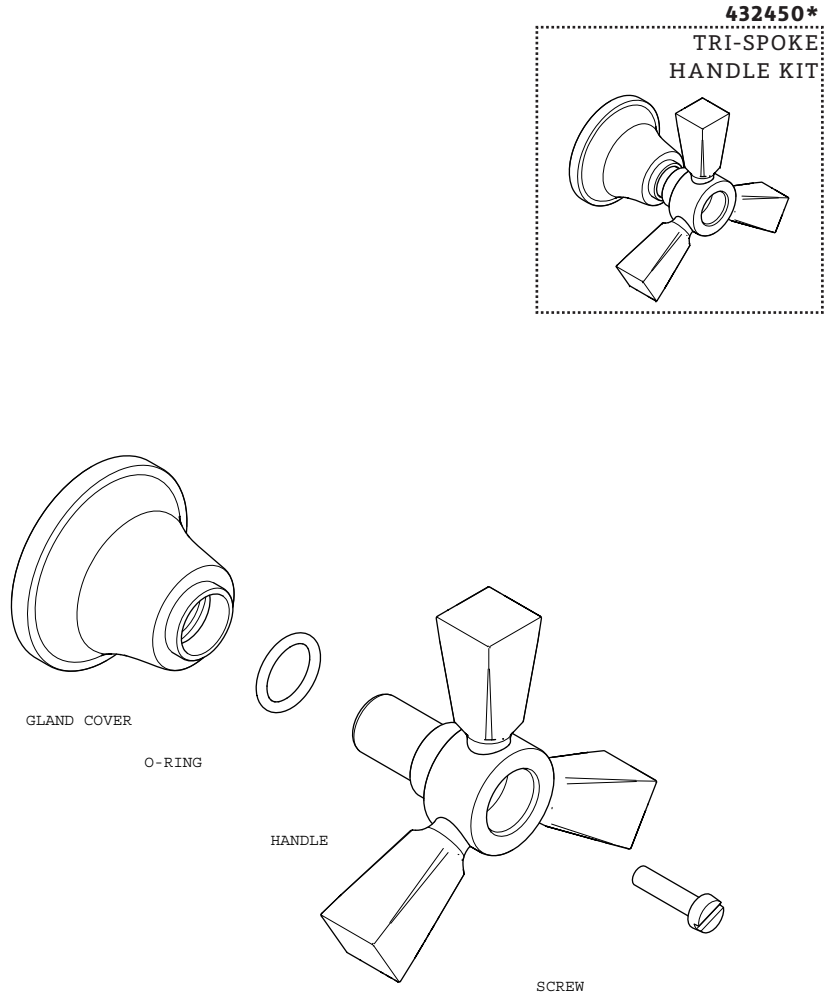
KIT COMPONENTS



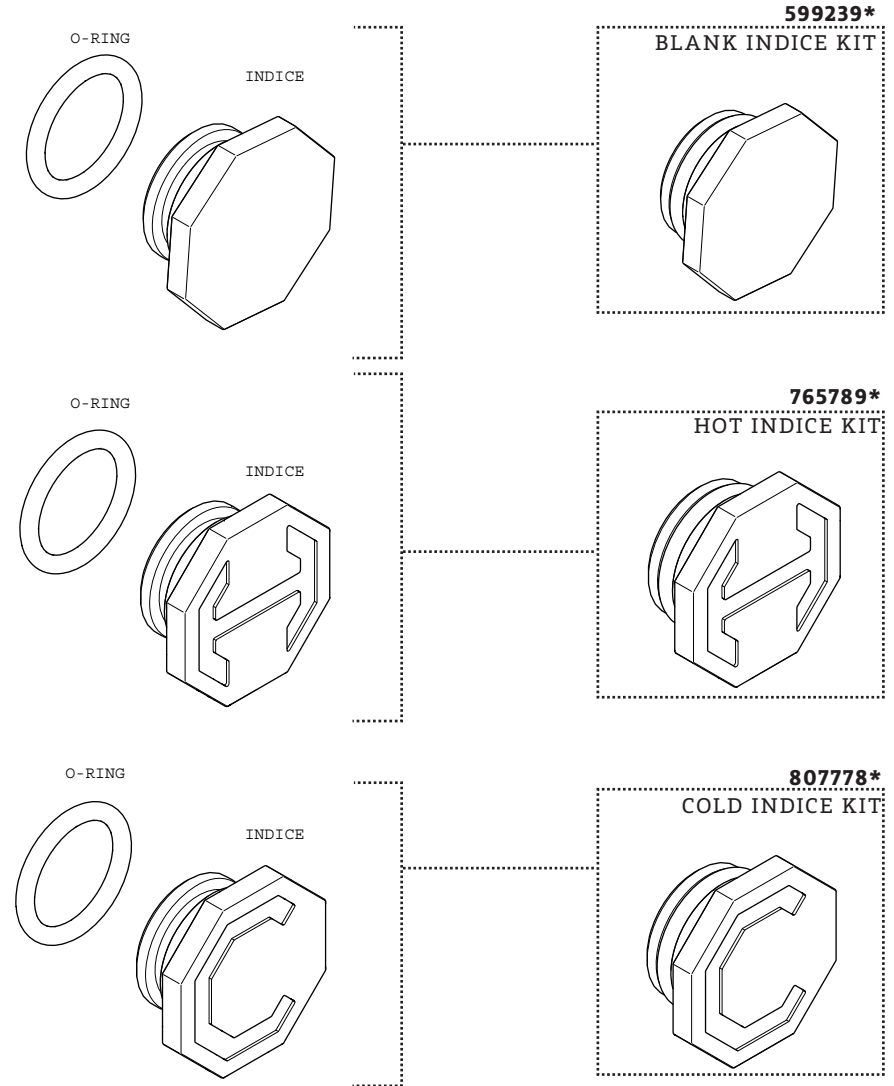
KIT COMPONENTS



KIT COMPONENTS



KIT COMPONENTS



SERVICE PARTS INDEX

<u>STYLE</u>	<u>DESCRIPTION</u>	<u>PG</u>
599239*	BLANK INDICE KIT	11
807778*	COLD INDICE KIT	11
337847	COUNTERCLOCKWISE ON VALVE CARTRIDGE	3
816511*	DIVERTER HANDLE KIT	9
956299	DIVERTER KIT	7
723681*	HANDSHOWER CRADLE KIT	8
781448*	HANDSHOWER HOSE KIT	3
765789*	HOT INDICE KIT	11
194193*	SPOUT KIT	6
426362*	SPRAY KIT	3
432450*	TRI-SPOKE HANDLE KIT	10
099303*	UNION KIT	5
209940*	UNION KIT	4

NOTES



WATERWORKS
STUDIO

PRODUCT SUPPORT

60 BACKUS AVENUE
DANBURY, CT 06810

1 (800) 927-2120 (EXT 2)

WWW.WATERWORKS.COM/STUDIO