

Features

- 60"L x 32"W x 16-1/4"H.
- Bath with raised bottom allows use of horizontal drain from outlet to wall.
- Integral apron for quick installation.
- Constructed of KOHLER® Cast Iron.
- Designed for one-person bathing.

Recommended Products/Accessories

K-1491 Bath/Whirlpool Pillow
K-1601 Bath/Whirlpool Footstop
K-7160-AF Clearflo Bath Drain
K-7213 27" Cable Bath Drain
K-7214 27" Cable Bath Drain
K-7259 Clearflo Bath Drain
K-702200-G54 Frameless Sliding Bath Door
K-702200-G73 Frameless Sliding Bath Door
K-702200-L Frameless Sliding Bath Door
K-702205-L Frameless Sliding Bath Door
K-702211-L Frameless Sliding Bath Door
K-706000-D3 Frameless Sliding Bath Door
K-706000-L Frameless Sliding Bath Door
K-706003-L Frameless Sliding Bath Door
K-706004-D3 Frameless Sliding Bath Door
K-706004-L Frameless Sliding Bath Door
K-706007-L Frameless Sliding Bath Door
K-23726 Drain treatment
K-23725 Cast iron cleaner



ADA

Codes/Standards




ASME A112.19.1/CSA B45.2
ASTM F462
ADA
ICC/ANSI A117.1

KOHLER® Enameled Cast Iron Bath and Shower Base Lifetime Limited Warranty

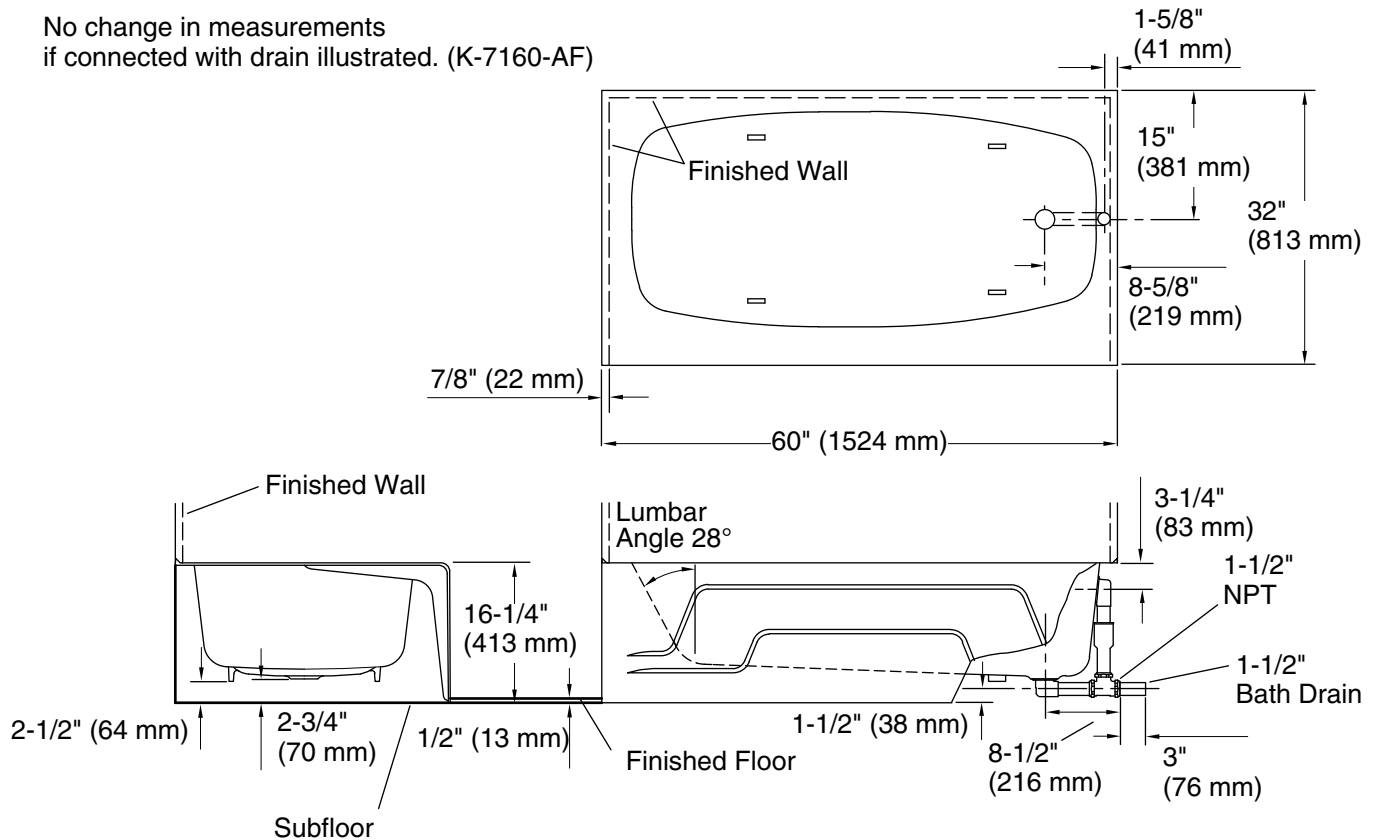
See website for detailed warranty information.

Available Colors/Finishes

Color tiles intended for reference only.

Color	Code	Description
	0	White
	96	Biscuit
	47	Almond

No change in measurements
if connected with drain illustrated. (K-7160-AF)



Technical Information

All product dimensions are nominal.

Installation:	Three-wall alcove
Drain location:	Right
Basin area, bottom:	41" x 22" (1041 mm x 559 mm)
Basin area, top:	54" x 25" (1372 mm x 635 mm)
Weight:	345 lbs (156.5 kg)
Minimum floor load:	50 lbs/ft ² (244.1 kg/m ²)
Water depth:	8-5/8" (219 mm)
Water capacity:	35 gal (132.5 L)

Notes

Measure your actual product for rough-in details. Install this product according to the installation instructions.

The hot water supply should be 70% of the capacity of the bath or greater. Installations will vary.

NOTICE: By design, the apron is not perpendicular. The bottom edge of the apron angles out approximately 3/4" (19 mm) from the top of the rim.

ADA compliant when installed to the specific requirements of these regulations.