

RONDELLE

Rondelle 4" Pull

ROHW04



INSPIRATION

Captivating Rondelle is reminiscent of the classic circle pin that embodies a striking simplicity. Its curves and contours whisper with enduring elegance.

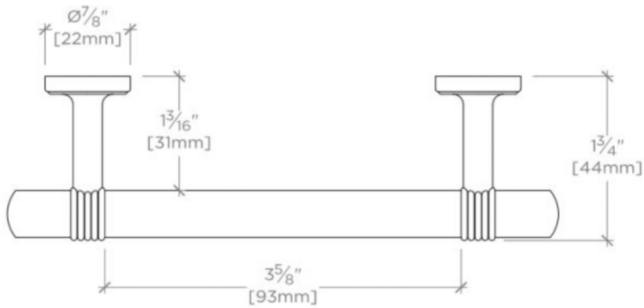
WATERWORKS

RONDELLE

Rondelle 4" Pull

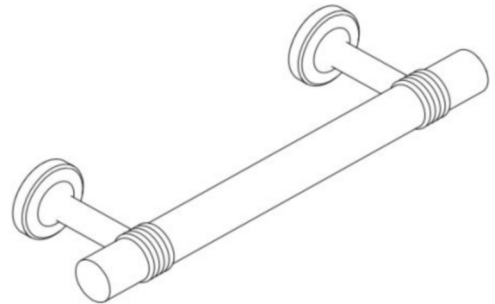
ROHW04

MOUNTING HARDWARE INCLUDED		
STYLE #	DESCRIPTION	QTY
998945	Service Parts 8-32 x 1" Truss Head Machine Screw, Combo, Slotted	2
998946	Service Parts 8-32 x 1-1/2" Truss Head Machine Screw, Combo, Slotted	2



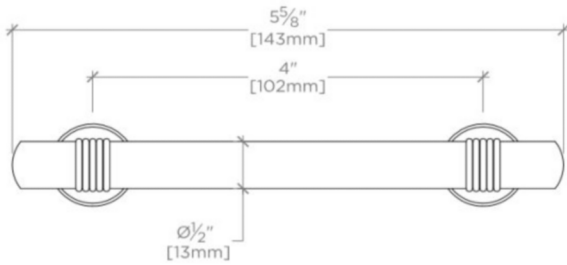
TOP VIEW

SCALE: 6"=1'-0"



ISO VIEW

SCALE: 6"=1'-0"



FRONT VIEW

SCALE: 6"=1'-0"



SIDE VIEW

SCALE: 6"=1'-0"