

Features

- Comfort Depth® design offers a convenient and low step-over height while retaining the depth of a standard 21" bath.
- Sloped lumbar support on both ends.
- Slotted overflow allows for deep soaking.
- Center drain.
- Slotted overflow for deep soaking.
- Integral lumbar support.
- Coordinates with other products in the Rêve collection.

Material

- KOHLER® enameled cast iron.
- Cast iron with Safeguard® finish.
- Painted exterior surface smoothness can vary from product to product.

Installation

- Drop-in or undermount.

Required Products/Accessories

K-7271 Brass Slotted Overflow Bath Drain

or

K-7272 PVC Slotted Overflow Bath Drain

Recommended Products/Accessories

K-137 Under-Mount Installation Kit

K-1179 Vinyl Tiling-in Bead

K-23726 Drain treatment

K-23725 Cast iron cleaner



Codes/Standards

ASME A112.19.1/CSA B45.2

ASTM F462

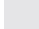

KOHLER® Enameled Cast Iron Bath and Shower Base Lifetime Limited Warranty

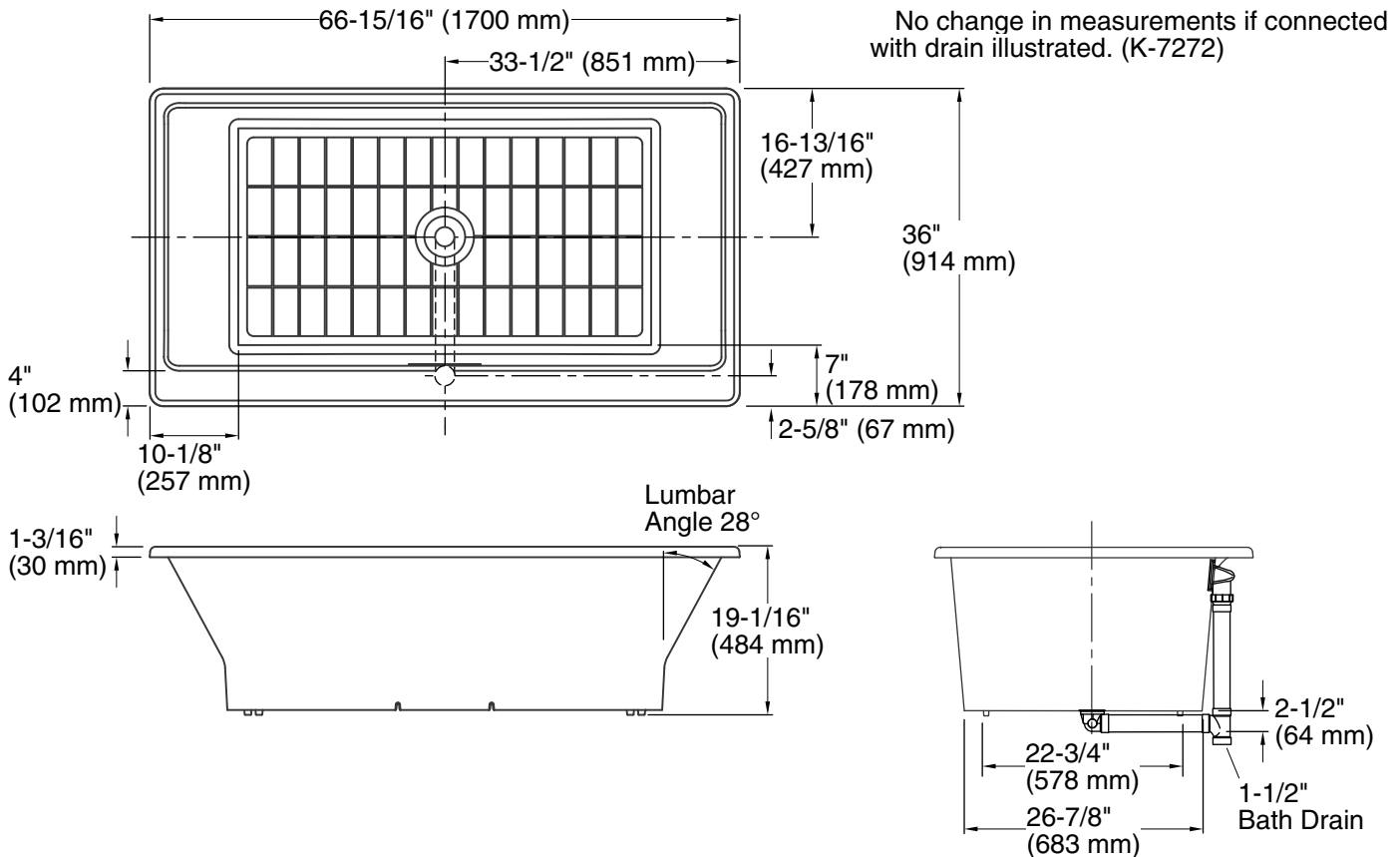
See website for detailed warranty information.

Available Colors/Finishes

Color tiles intended for reference only.

Color	Code	Description
-------	------	-------------

	0	White
	96	Biscuit



Technical Information

All product dimensions are nominal.

Installation:	Drop-in, Under-mount
Drain location:	Center
Basin area, bottom:	49" x 26-1/2" (1245 mm x 673 mm)
Basin area, top:	62-1/2" x 29-1/4" (1588 mm x 743 mm)
Weight:	435 lbs (197.3 kg)
Minimum floor load:	78 lbs/ft ² (380.8 kg/m ²)
Water depth:	15-1/4" (387 mm)
Water capacity:	90 gal (340.7 L)
Cutout:	Drop-in, 66-1/2" x 35-1/2" (1689 mm x 902 mm)
Template:	Under-mount, K-137, required, not included

Notes

Measure your actual product for rough-in details. Install this product according to the installation instructions.

The hot water supply should be 70% of the capacity of the bath or greater. Installations will vary.

Kit is required for under-mount installations (sold separately).

To clear the overflow side bath rim, a minimum 7" (178 mm) bath spout is recommended.

To clear the end wall bath rim, a minimum 10" (254 mm) bath spout is recommended.