

## SAXBY

## SABT61

Saxby 61" x 30" x 23" Freestanding Oval Cast Iron Bathtub with feet



SHOWN IN WHITE

### TECHNICAL DETAILS

ADA Compliance: No  
Adjustable Levelers / Feet: N  
Assembly / Configuration: One Piece  
Bathing Type: Bathing and Soaking  
Bottom Angle / Pitch: 1.0 degree\_angle  
Depth / Width: 30"  
Height: 23"  
Installation Type: Freestanding  
Item Weight (Filled): 667.0 pounds  
Length: 61"  
Material / Wall Thickness: 1/4"  
Number of Holes: Two Hole  
Overflow Opening: Yes  
Primary Material: Cast Iron  
Single or Double Ended: Single Ended  
Suggested Application: Bath

### INSPIRATION

Our Saxby collection is traditional but never outdated and evokes elegance in any room.

### CODES & STANDARDS

Code # DUBT27 + DUBT12: IAPMO

### PRODUCT FEATURES

The Saxby is the most recognized form of a classic cast iron footed tub.  
Manufactured in state of the art facilities using traditional methods.  
Includes Ball and Claw feet for freestanding use.  
The exterior of primed bathtubs must be finished with a high quality paint for freestanding installation.

### PRODUCT (NOTES)

Dimensions of fixtures are nominal. Measure your actual product for rough-in details.

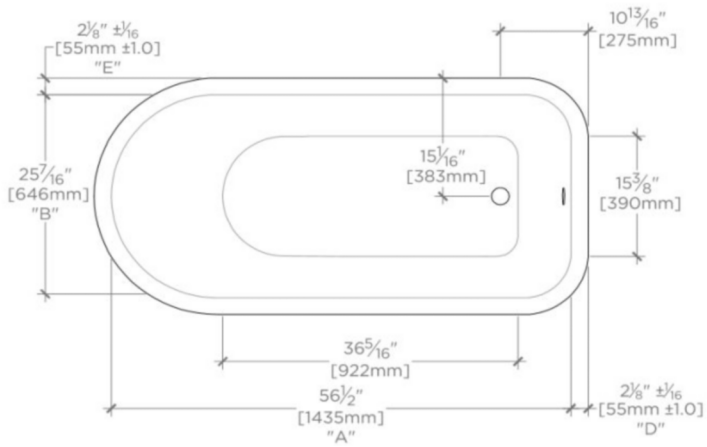
# WATERWORKS

## SAXBY

## SABT61

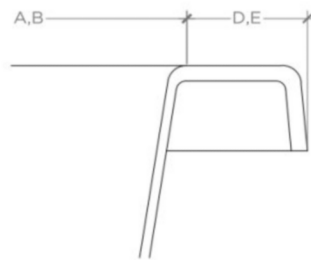
Saxby 61" x 30" x 23" Freestanding Oval Cast Iron Bathtub with feet

Dimensional Tolerance	
> $\frac{7}{8}$ " [200mm]	± 0.8%
< $\frac{7}{8}$ " [200mm]	± 1.8%



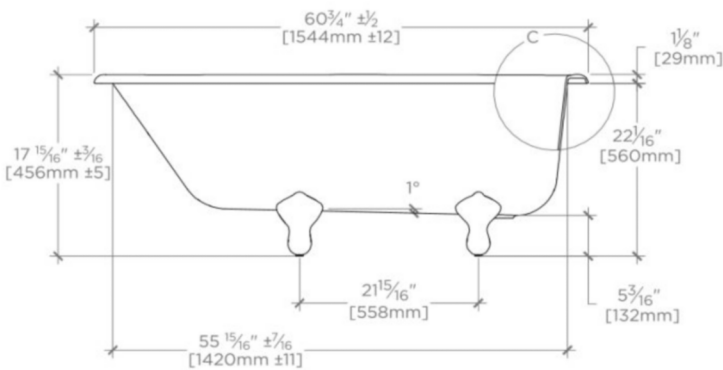
TOP VIEW

SCALE: 1/2"=1'-0"



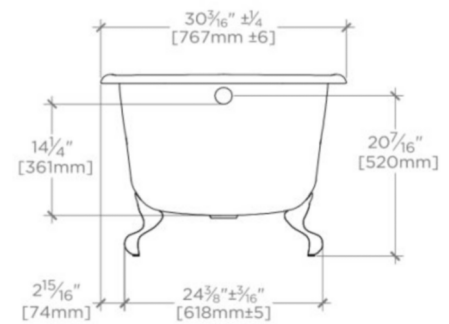
BATHING WELL (A,B) AND RIM (D,E) DIMENSIONS ARE TO THE TOP OF RADIUS AS SHOWN.

DETAIL VIEW C



SIDE VIEW

SCALE: 1/2"=1'-0"



END VIEW

SCALE: 1/2"=1'-0"