

MAINE

T-3415LC / T-3416LC
suspension

Date	Type
Project	
Location	
Model #	Quantity
Specifier	

Description

Metallic pendant providing direct light.
Acrylic bottom diffuser.
Textile covered electrical cord.
Adjustable height.
Can be used in sloped ceilings.

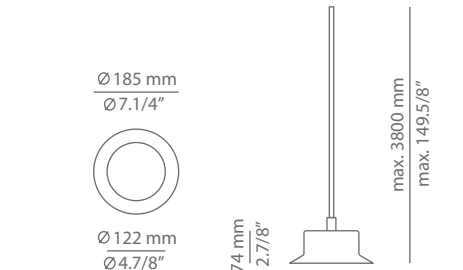


Pictures above might not show the specified dimensions or material. They are for illustration purposes only.

Ordering information

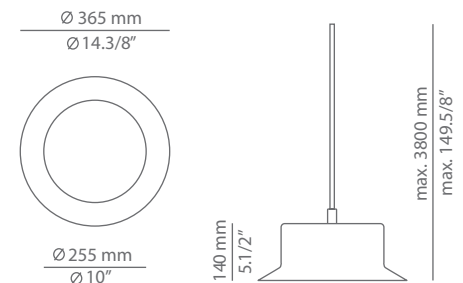
Code	Lamp
T-3415LC-W	LED 10W (2700K / Ang 120° / >80 CRI) A+ 230V (included) / Typ* 850 lumens Dimmable Triac

Finish	
26 BL	Black
74 WH	White
44 CP	Copper
61 S GLD	Satin Gold
CUSTOM	



Code	Lamp
T-3416LC-W	LED 15W (2700K / Ang 120° / >80 CRI) A 230V (included) / Typ* 1275 lumens Dimmable Triac

Finish	
26 BL	Black
74 WH	White
44 CP	Copper
61 S GLD	Satin Gold
CUSTOM	



SPECIAL REQUIREMENTS

Custom versions

We offer custom plated or RAL finishes.

Alternate lamping and sizes available for projects.

Standard compositions bellow, other compositions available with multiple canopies. Consult our offices.

Special instructions

MAINE T-3415LS / T-3416LS

suspension

Date	Type
Project	
Location	
Model #	Quantity
Specifier	

Ordering information

Code	Lamp
■ T-3415LS-W	■ LED 10W (2700K / Ang 120° / >80 CRI) A* 230V (included) / Typ* 850 lumens Dimmable Triac

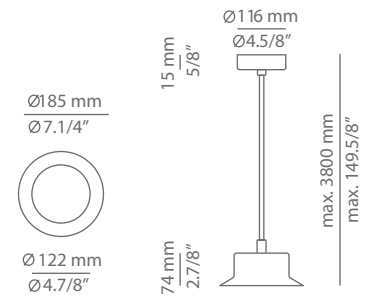
Product includes

Code	Description
■ 113416XX0	■ 1 Canopy for 1 single pendant
■ T-3415LS-W	■ 1 Maine pendant

Canopy	
■ 26 BLK	Black
■ 71 WH	White



Finish	
■ 26 BL	Black
■ 74 WH	White
■ 44 CP	Copper
■ 61 S GLD	Satin Gold
■ CUSTOM	

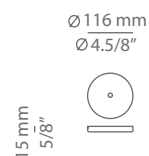


Code	Lamp
■ T-3416LS-W	■ LED 15W (2700K / Ang 120° / >80 CRI) A 230V (included) / Typ* 1275 lumens Dimmable Triac

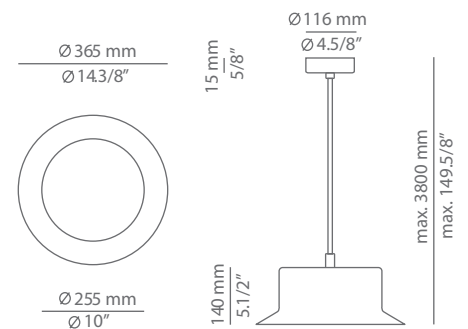
Product includes

Code	Description
■ 113416XX0	■ 1 Canopy for 1 single pendant
■ T-3416LS-W	■ 1 Maine pendant

Canopy	
■ 26 BLK	Black
■ 71 WH	White



Finish	
■ 26 BL	Black
■ 74 WH	White
■ 44 CP	Copper
■ 61 S GLD	Satin Gold
■ CUSTOM	



MAINE

T-3415LR / T-3416LR
suspension

Date	Type
Project	
Location	
Model #	Quantity
Specifier	

Ordering information

Code	Lamp
■ T-3415LR-W	■ LED 10W (2700K / Ang 120° / >80 CRI) A* 230V (included) / Typ* 850 lumens Dimmable Triac

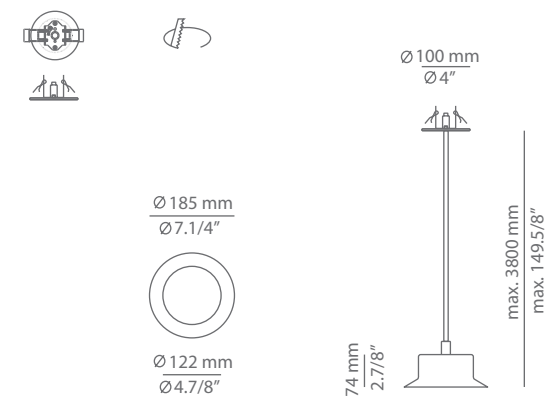
Canopy	
■ 26 BLK	Black
■ 71 WH	White

\varnothing 100 mm \varnothing 4"
 \varnothing 80mm drill on false ceiling

Finish	
■ 26 BL	Black
■ 74 WH	White
■ 44 CP	Copper
■ 61 S GLD	Satin Gold
■ CUSTOM	

Product includes

Code	Description
■ 113302XX0	1 Cable entry disk false ceiling
■ T-3415LR-W	1 Maine pendant



Code	Lamp
■ T-3416LR-W	■ LED 15W (2700K / Ang 120° / >80 CRI) A 230V (included) / Typ* 1275 lumens Dimmable Triac

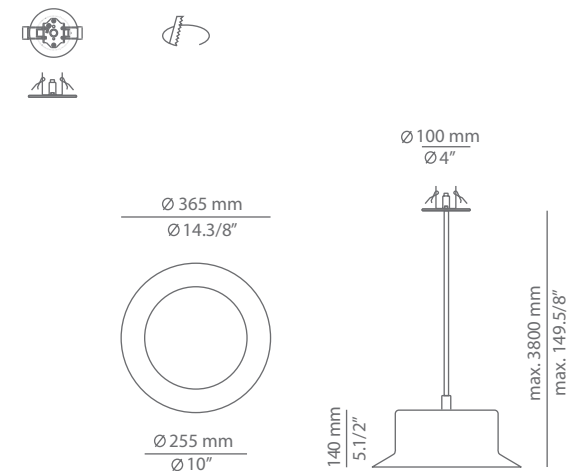
Canopy	
■ 26 BLK	Black
■ 71 WH	White

\varnothing 100 mm \varnothing 4"
 \varnothing 80mm drill on false ceiling

Finish	
■ 26 BL	Black
■ 74 WH	White
■ 44 CP	Copper
■ 61 S GLD	Satin Gold
■ CUSTOM	

Product includes

Code	Description
■ 113302XX0	1 Cable entry disk false ceiling
■ T-3416LR-W	1 Maine pendant



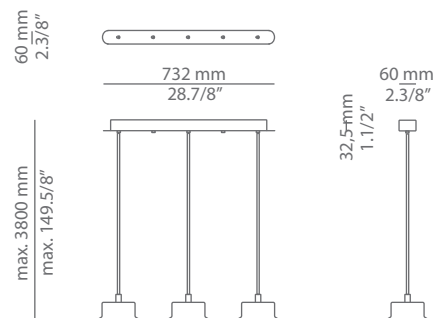
MAINE T-3415LC

suspension

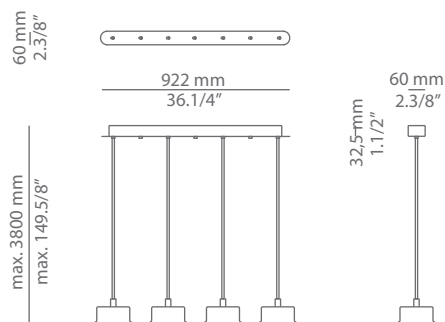
Date	Type
Project	
Location	
Model #	Quantity
Specifier	

Many possible configurations with T-3415LC-W

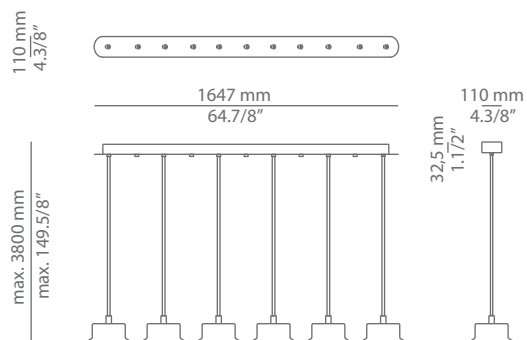
Code	Composition includes												
<ul style="list-style-type: none"> L73.3S maine 	<ul style="list-style-type: none"> 1 linear canopy 113415XX1 3 units of T-3415LC-W Add up to 2 additional Maine <table border="1" style="width: 100%; margin-top: 10px;"> <thead> <tr> <th style="width: 50%;">Canopy</th> <th style="width: 50%;">Finish</th> </tr> </thead> <tbody> <tr> <td> 26 BLK Black</td> <td> 26 BL Black</td> </tr> <tr> <td> 71 WH White</td> <td> 74 WH White</td> </tr> <tr> <td></td> <td> 44 CP Copper</td> </tr> <tr> <td></td> <td> 61 S GLD Satin Gold</td> </tr> <tr> <td></td> <td> CUSTOM</td> </tr> </tbody> </table>	Canopy	Finish	 26 BLK Black	 26 BL Black	 71 WH White	 74 WH White		 44 CP Copper		 61 S GLD Satin Gold		 CUSTOM
Canopy	Finish												
 26 BLK Black	 26 BL Black												
 71 WH White	 74 WH White												
	 44 CP Copper												
	 61 S GLD Satin Gold												
	 CUSTOM												



Code	Composition includes												
<ul style="list-style-type: none"> L92.4S maine 	<ul style="list-style-type: none"> 1 linear canopy 113415XX3 4 units of T-3415LC-W Add up to 3 additional Maine <table border="1" style="width: 100%; margin-top: 10px;"> <thead> <tr> <th style="width: 50%;">Canopy</th> <th style="width: 50%;">Finish</th> </tr> </thead> <tbody> <tr> <td> 26 BLK Black</td> <td> 26 BL Black</td> </tr> <tr> <td> 71 WH White</td> <td> 74 WH White</td> </tr> <tr> <td></td> <td> 44 CP Copper</td> </tr> <tr> <td></td> <td> 61 S GLD Satin Gold</td> </tr> <tr> <td></td> <td> CUSTOM</td> </tr> </tbody> </table>	Canopy	Finish	 26 BLK Black	 26 BL Black	 71 WH White	 74 WH White		 44 CP Copper		 61 S GLD Satin Gold		 CUSTOM
Canopy	Finish												
 26 BLK Black	 26 BL Black												
 71 WH White	 74 WH White												
	 44 CP Copper												
	 61 S GLD Satin Gold												
	 CUSTOM												



Code	Composition includes												
<ul style="list-style-type: none"> L165.6S maine 	<ul style="list-style-type: none"> 1 linear canopy 113415XX7 6 units of T-3415LC-W Add up to 5 additional Maine <table border="1" style="width: 100%; margin-top: 10px;"> <thead> <tr> <th style="width: 50%;">Canopy</th> <th style="width: 50%;">Finish</th> </tr> </thead> <tbody> <tr> <td> 26 BLK Black</td> <td> 26 BL Black</td> </tr> <tr> <td> 71 WH White</td> <td> 74 WH White</td> </tr> <tr> <td></td> <td> 44 CP Copper</td> </tr> <tr> <td></td> <td> 61 S GLD Satin Gold</td> </tr> <tr> <td></td> <td> CUSTOM</td> </tr> </tbody> </table>	Canopy	Finish	 26 BLK Black	 26 BL Black	 71 WH White	 74 WH White		 44 CP Copper		 61 S GLD Satin Gold		 CUSTOM
Canopy	Finish												
 26 BLK Black	 26 BL Black												
 71 WH White	 74 WH White												
	 44 CP Copper												
	 61 S GLD Satin Gold												
	 CUSTOM												



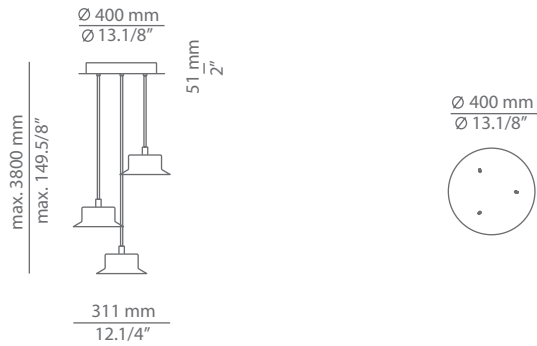
MAINE T-3415LC

suspension

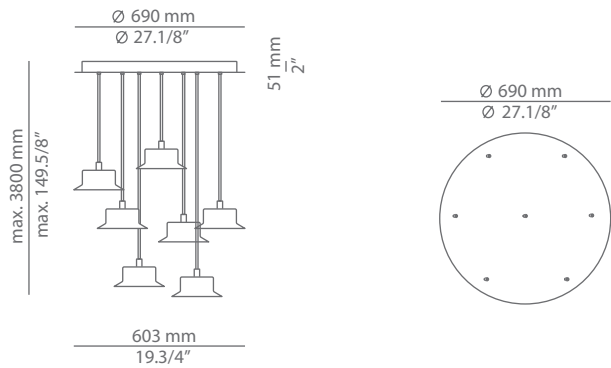
Date	Type
Project	
Location	
Model #	Quantity
Specifier	

Many possible configurations with T-3415LC-W

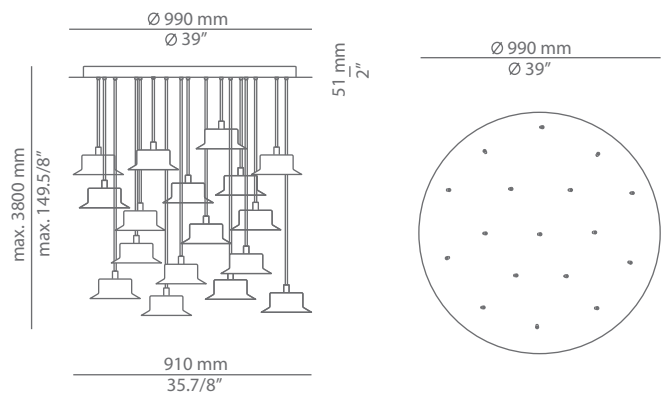
Code	Composition includes																				
■ R40.35 maine	<ul style="list-style-type: none"> 1 round canopy 113415XX6 3 units of T-3415LC-W <table border="1"> <thead> <tr> <th colspan="2">Canopy</th> <th colspan="2">Finish</th> </tr> </thead> <tbody> <tr> <td>■ 26 BLK</td> <td>Black</td> <td>■ 26 BL</td> <td>Black</td> </tr> <tr> <td>■ 71 WH</td> <td>White</td> <td>■ 74 WH</td> <td>White</td> </tr> <tr> <td></td> <td></td> <td>■ 44 CP</td> <td>Copper</td> </tr> <tr> <td></td> <td></td> <td>■ 61 S GLD</td> <td>Satin Gold</td> </tr> </tbody> </table>	Canopy		Finish		■ 26 BLK	Black	■ 26 BL	Black	■ 71 WH	White	■ 74 WH	White			■ 44 CP	Copper			■ 61 S GLD	Satin Gold
Canopy		Finish																			
■ 26 BLK	Black	■ 26 BL	Black																		
■ 71 WH	White	■ 74 WH	White																		
		■ 44 CP	Copper																		
		■ 61 S GLD	Satin Gold																		



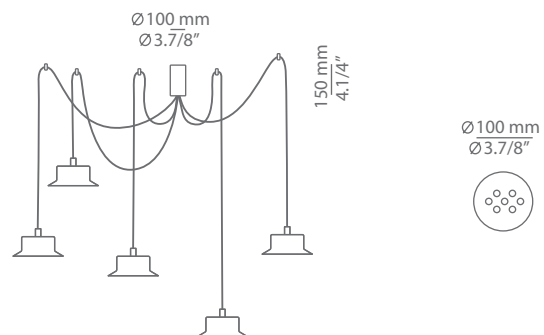
Code	Composition includes																				
■ R70.75 maine	<ul style="list-style-type: none"> 1 round canopy 113415XX4 7 units of T-3415LC-W <table border="1"> <thead> <tr> <th colspan="2">Canopy</th> <th colspan="2">Finish</th> </tr> </thead> <tbody> <tr> <td>■ 26 BLK</td> <td>Black</td> <td>■ 26 BL</td> <td>Black</td> </tr> <tr> <td>■ 71 WH</td> <td>White</td> <td>■ 74 WH</td> <td>White</td> </tr> <tr> <td></td> <td></td> <td>■ 44 CP</td> <td>Copper</td> </tr> <tr> <td></td> <td></td> <td>■ 61 S GLD</td> <td>Satin Gold</td> </tr> </tbody> </table>	Canopy		Finish		■ 26 BLK	Black	■ 26 BL	Black	■ 71 WH	White	■ 74 WH	White			■ 44 CP	Copper			■ 61 S GLD	Satin Gold
Canopy		Finish																			
■ 26 BLK	Black	■ 26 BL	Black																		
■ 71 WH	White	■ 74 WH	White																		
		■ 44 CP	Copper																		
		■ 61 S GLD	Satin Gold																		



Code	Composition includes																				
■ R100.175 maine	<ul style="list-style-type: none"> 1 round canopy 113415XX5 17 units of T-3415LC-W <table border="1"> <thead> <tr> <th colspan="2">Canopy</th> <th colspan="2">Finish</th> </tr> </thead> <tbody> <tr> <td>■ 26 BLK</td> <td>Black</td> <td>■ 26 BL</td> <td>Black</td> </tr> <tr> <td>■ 71 WH</td> <td>White</td> <td>■ 74 WH</td> <td>White</td> </tr> <tr> <td></td> <td></td> <td>■ 44 CP</td> <td>Copper</td> </tr> <tr> <td></td> <td></td> <td>■ 61 S GLD</td> <td>Satin Gold</td> </tr> </tbody> </table>	Canopy		Finish		■ 26 BLK	Black	■ 26 BL	Black	■ 71 WH	White	■ 74 WH	White			■ 44 CP	Copper			■ 61 S GLD	Satin Gold
Canopy		Finish																			
■ 26 BLK	Black	■ 26 BL	Black																		
■ 71 WH	White	■ 74 WH	White																		
		■ 44 CP	Copper																		
		■ 61 S GLD	Satin Gold																		



Code	Composition includes																								
■ M55 maine	<ul style="list-style-type: none"> 1 multipoint canopy 113415XX0 5 units of T-3415LC-W 5 ceiling holders Add up to 2 additional Maine <table border="1"> <thead> <tr> <th colspan="2">Canopy</th> <th colspan="2">Finish</th> </tr> </thead> <tbody> <tr> <td>■ 44 CP</td> <td>Copper</td> <td>■ 44 CP</td> <td>Copper</td> </tr> <tr> <td>■ 26 BLK</td> <td>Black</td> <td>■ 26 BLK</td> <td>Black</td> </tr> <tr> <td>■ 71 WH</td> <td>White</td> <td>■ 74 WH</td> <td>White</td> </tr> <tr> <td></td> <td></td> <td>■ 44 CP</td> <td>Copper</td> </tr> <tr> <td></td> <td></td> <td>■ 61 S GLD</td> <td>Satin Gold</td> </tr> </tbody> </table>	Canopy		Finish		■ 44 CP	Copper	■ 44 CP	Copper	■ 26 BLK	Black	■ 26 BLK	Black	■ 71 WH	White	■ 74 WH	White			■ 44 CP	Copper			■ 61 S GLD	Satin Gold
Canopy		Finish																							
■ 44 CP	Copper	■ 44 CP	Copper																						
■ 26 BLK	Black	■ 26 BLK	Black																						
■ 71 WH	White	■ 74 WH	White																						
		■ 44 CP	Copper																						
		■ 61 S GLD	Satin Gold																						



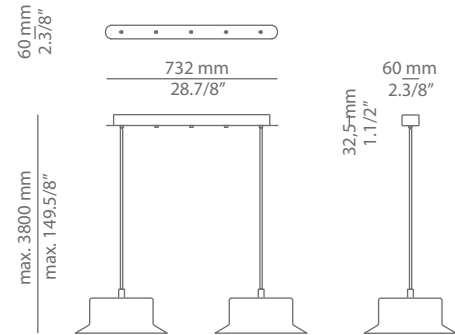
MAINE T-3416LC

suspension

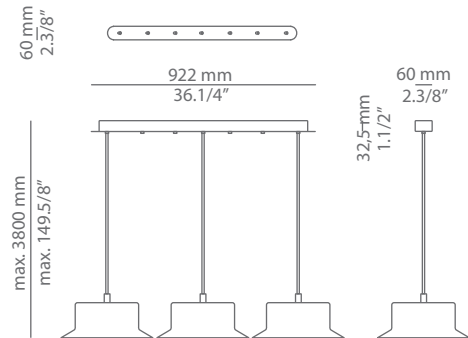
Date	Type
Project	
Location	
Model #	Quantity
Specifier	

Many possible configurations with T-3416LC-W

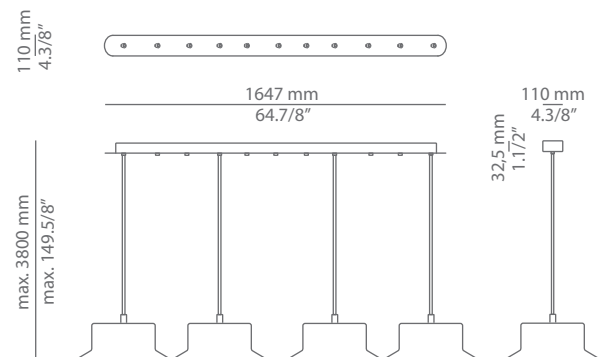
Code	Composition includes										
■ L73.2M maine	<ul style="list-style-type: none"> ■ 1 linear canopy 113415XX1 ■ 2 units of T-3416LC-W ■ Add up to 1 additional Maine 										
	<table border="0" style="width: 100%;"> <thead> <tr> <th style="text-align: left;">Canopy</th> <th style="text-align: left;">Finish</th> </tr> </thead> <tbody> <tr> <td>■ 26 BLK Black</td> <td>■ 26 BL Black</td> </tr> <tr> <td>■ 71 WH White</td> <td>■ 74 WH White</td> </tr> <tr> <td></td> <td>■ 44 CP Copper</td> </tr> <tr> <td></td> <td>■ 61 S GLD Satin Gold</td> </tr> </tbody> </table>	Canopy	Finish	■ 26 BLK Black	■ 26 BL Black	■ 71 WH White	■ 74 WH White		■ 44 CP Copper		■ 61 S GLD Satin Gold
Canopy	Finish										
■ 26 BLK Black	■ 26 BL Black										
■ 71 WH White	■ 74 WH White										
	■ 44 CP Copper										
	■ 61 S GLD Satin Gold										



Code	Composition includes										
■ L92.3M maine	<ul style="list-style-type: none"> ■ 1 linear canopy 113415XX3 ■ 3 units of T-3416LC-W 										
	<table border="0" style="width: 100%;"> <thead> <tr> <th style="text-align: left;">Canopy</th> <th style="text-align: left;">Finish</th> </tr> </thead> <tbody> <tr> <td>■ 26 BLK Black</td> <td>■ 26 BL Black</td> </tr> <tr> <td>■ 71 WH White</td> <td>■ 74 WH White</td> </tr> <tr> <td></td> <td>■ 44 CP Copper</td> </tr> <tr> <td></td> <td>■ 61 S GLD Satin Gold</td> </tr> </tbody> </table>	Canopy	Finish	■ 26 BLK Black	■ 26 BL Black	■ 71 WH White	■ 74 WH White		■ 44 CP Copper		■ 61 S GLD Satin Gold
Canopy	Finish										
■ 26 BLK Black	■ 26 BL Black										
■ 71 WH White	■ 74 WH White										
	■ 44 CP Copper										
	■ 61 S GLD Satin Gold										



Code	Composition includes										
■ L165.4M maine	<ul style="list-style-type: none"> ■ 1 linear canopy 113415XX7 ■ 4 units of T-3416LC-W 										
	<table border="0" style="width: 100%;"> <thead> <tr> <th style="text-align: left;">Canopy</th> <th style="text-align: left;">Finish</th> </tr> </thead> <tbody> <tr> <td>■ 26 BLK Black</td> <td>■ 26 BL Black</td> </tr> <tr> <td>■ 71 WH White</td> <td>■ 74 WH White</td> </tr> <tr> <td></td> <td>■ 44 CP Copper</td> </tr> <tr> <td></td> <td>■ 61 S GLD Satin Gold</td> </tr> </tbody> </table>	Canopy	Finish	■ 26 BLK Black	■ 26 BL Black	■ 71 WH White	■ 74 WH White		■ 44 CP Copper		■ 61 S GLD Satin Gold
Canopy	Finish										
■ 26 BLK Black	■ 26 BL Black										
■ 71 WH White	■ 74 WH White										
	■ 44 CP Copper										
	■ 61 S GLD Satin Gold										



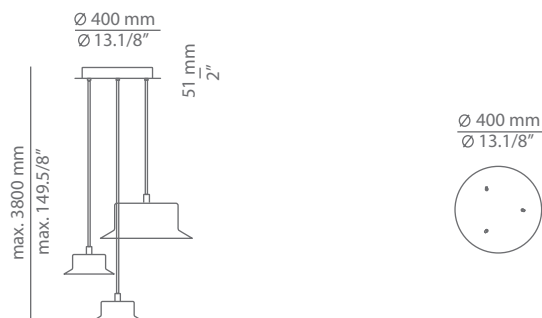
MAINE

T-3415LC / T-3416LC
suspension

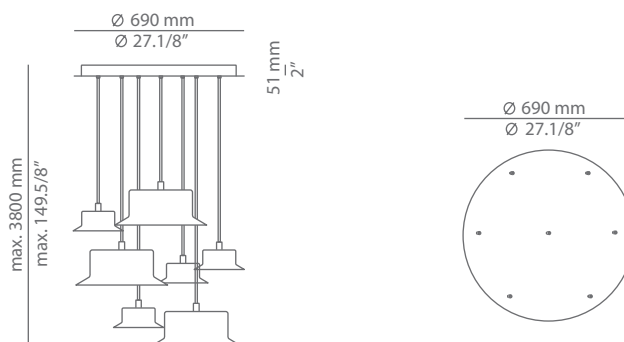
Date	Type
Project	
Location	
Model #	Quantity
Specifier	

Many possible configurations with T-3415LC-W and T-3416LC-W

Code	Composition includes										
■ R40.2S1M maine	<ul style="list-style-type: none"> 1 round canopy 113415XX6 2 units of T-3415LC-W 1 units of T-3416LC-W 										
	<table border="0"> <tr> <td>Canopy</td> <td>Finish</td> </tr> <tr> <td>■ 26 BLK Black</td> <td>■ 26 BL Black</td> </tr> <tr> <td>■ 71 WH White</td> <td>■ 74 WH White</td> </tr> <tr> <td></td> <td>■ 44 CP Copper</td> </tr> <tr> <td></td> <td>■ 61 S GLD Satin Gold</td> </tr> </table>	Canopy	Finish	■ 26 BLK Black	■ 26 BL Black	■ 71 WH White	■ 74 WH White		■ 44 CP Copper		■ 61 S GLD Satin Gold
Canopy	Finish										
■ 26 BLK Black	■ 26 BL Black										
■ 71 WH White	■ 74 WH White										
	■ 44 CP Copper										
	■ 61 S GLD Satin Gold										



Code	Composition includes										
■ R70.4S3M maine	<ul style="list-style-type: none"> 1 round canopy 113415XX4 4 units of T-3415LC-W 3 units of T-3416LC-W 										
	<table border="0"> <tr> <td>Canopy</td> <td>Finish</td> </tr> <tr> <td>■ 26 BLK Black</td> <td>■ 26 BL Black</td> </tr> <tr> <td>■ 71 WH White</td> <td>■ 74 WH White</td> </tr> <tr> <td></td> <td>■ 44 CP Copper</td> </tr> <tr> <td></td> <td>■ 61 S GLD Satin Gold</td> </tr> </table>	Canopy	Finish	■ 26 BLK Black	■ 26 BL Black	■ 71 WH White	■ 74 WH White		■ 44 CP Copper		■ 61 S GLD Satin Gold
Canopy	Finish										
■ 26 BLK Black	■ 26 BL Black										
■ 71 WH White	■ 74 WH White										
	■ 44 CP Copper										
	■ 61 S GLD Satin Gold										



Code	Composition includes										
■ R100.7S4M maine	<ul style="list-style-type: none"> 1 round canopy 113415XX5 7 units of T-3415LC-W 4 units of T-3416LC-W 										
	<table border="0"> <tr> <td>Canopy</td> <td>Finish</td> </tr> <tr> <td>■ 26 BLK Black</td> <td>■ 26 BL Black</td> </tr> <tr> <td>■ 71 WH White</td> <td>■ 74 WH White</td> </tr> <tr> <td></td> <td>■ 44 CP Copper</td> </tr> <tr> <td></td> <td>■ 61 S GLD Satin Gold</td> </tr> </table>	Canopy	Finish	■ 26 BLK Black	■ 26 BL Black	■ 71 WH White	■ 74 WH White		■ 44 CP Copper		■ 61 S GLD Satin Gold
Canopy	Finish										
■ 26 BLK Black	■ 26 BL Black										
■ 71 WH White	■ 74 WH White										
	■ 44 CP Copper										
	■ 61 S GLD Satin Gold										

