

MAM mineral - 900 / 1200

Product Information

Integrated washbasin made of mineral filler. (with and without machined tap hole).

Dimensions: [910,1210] x510x143 mm. left and right hand.

Does not contain without siphon or clicker drain.

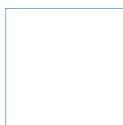
Package measures and package weight.

	910	1210
Length mm.	925	1125
Depth mm.	550	
Height mm.	155	
Net weight Kg.	11,2	14
Gross mass Kg.	13	16

Finishes



Matte White



Gloss White



White glossy 1200 right with machined tap hole



White matt 900 lhd with machined tap hole

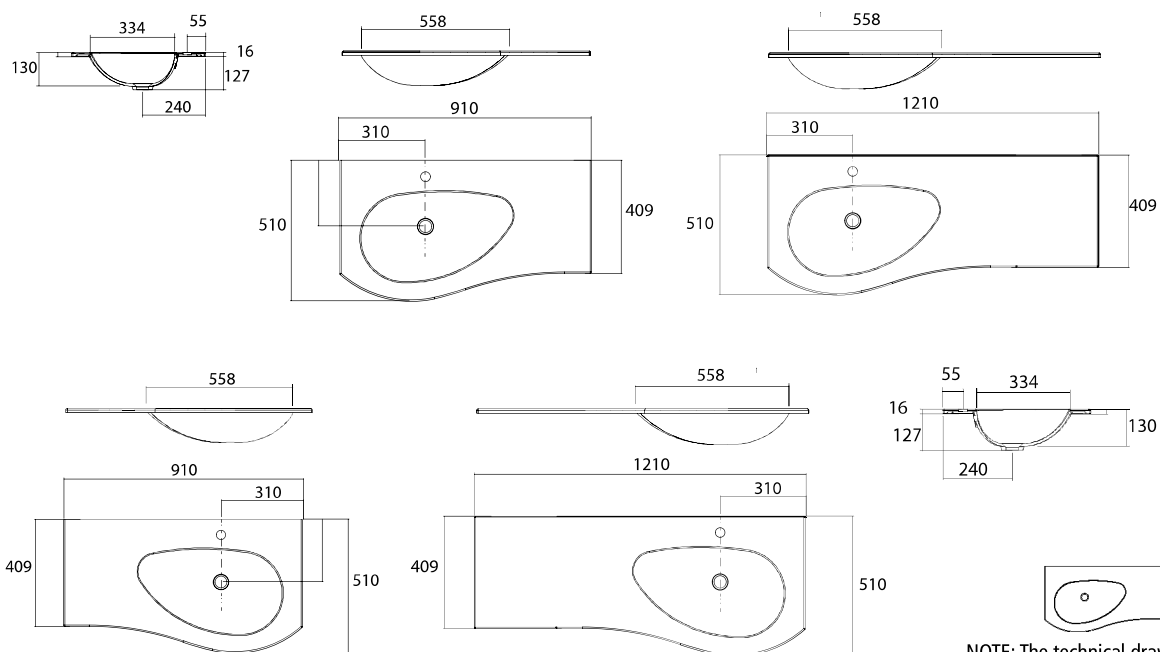


White matt 1200 left without machined tap hole



White glossy 900 dch without machined tap hole

Technical scheme



NOTE: The technical drawing for the version without the tap hole is the same as those shown, except for the tap hole, which will be non-existent.