

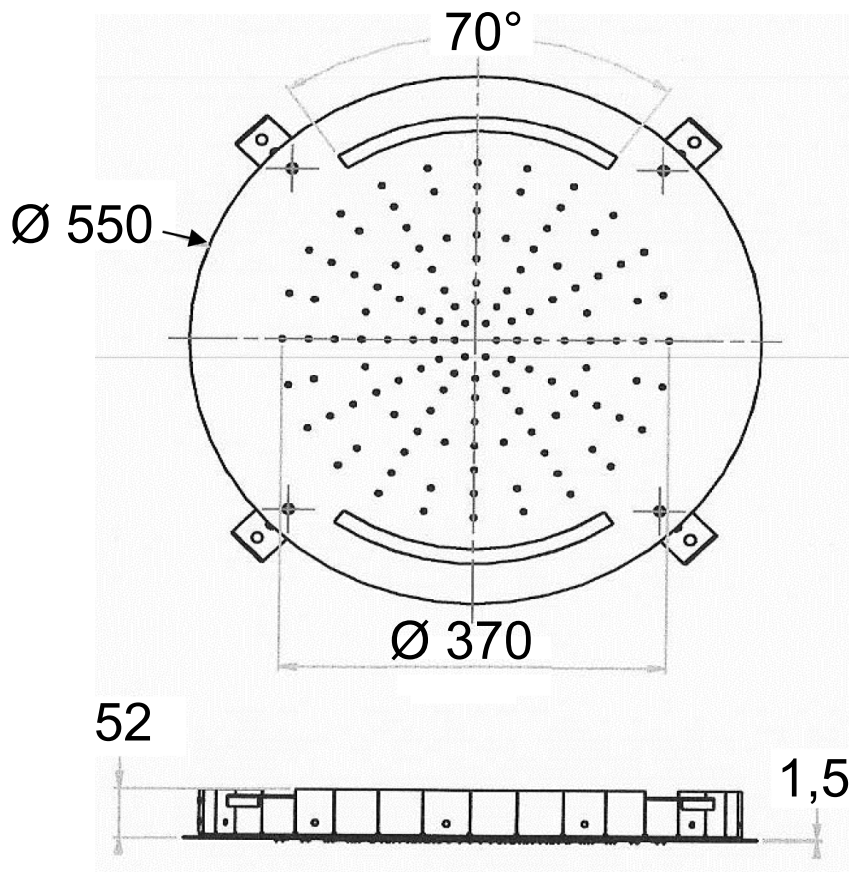
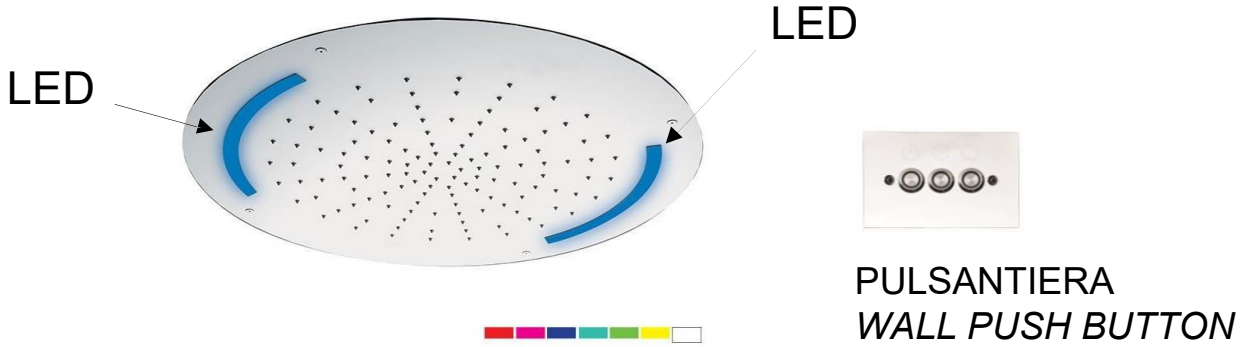


**DANIEL**

SCHEDA TECNICA TECHNICAL FEATURES

ART. COD.

**A578JCM55**



**MATERIALI / MATERIALS**

ACCIAIO INOX / STAINLESS STEEL