



IB RUBINETTI

Collection

K3

Article

K3250

Description

Wall mounted bath filler

Box Dimensions

353 x 225 x 226 mm

Weight

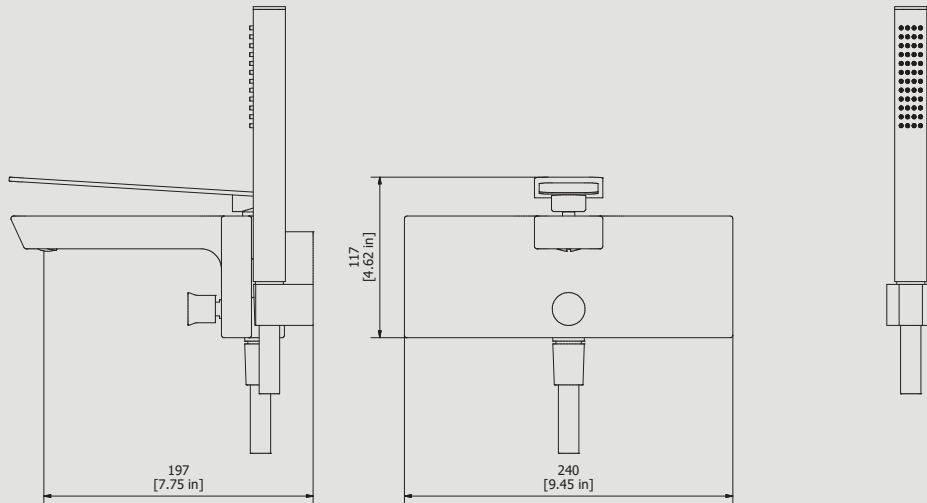
4.9 kg

Finishes

- **CC** CHROME
- **CF** BLACK CHROME
- **BG** GLOSSY WHITE
- **NG** GLOSSY BLACK
- **SS** BRUSHED NICKEL
- **CS** BRUSHED BLACK CHROME
- **BO** MATT WHITE
- **NP** MATT BLACK
- **OO** GOLD
- **BB** ANTIQUE BRONZE
- **II** PALE GOLD
- **RR** ANTIQUE COPPER
- **RS** ROSE GOLD
- **ON** NATURAL BRASS
- **IS** BRUSHED PALE GOLD
- **OS** BRUSHED GOLD
- **SR** BRUSHED ROSE GOLD
- **PL** PLATINUM



Dimensions



Cartridge

Ø35 ceramic cartridge

Threaded fitting

G1/2" male

Aerator

M24x1

Flow Rate (+/-10%)

**1 BAR
9.2 l/min**

**2 BAR
14.2 l/min**

**3 BAR
17.6 l/min**

Production

Main body is a single casted pieces

Material

**BRASS
According to CuZn35Pb2Al-B (CB752S)
Max Lead content: 1.36%**

IB RUBINETTERIE s.p.a
via dei Pianotti 3/5
25068 Sarezzo (BS) - Italy -

T. +39 030 802101
F. +39 030 803097
info@ibrubinetterie.it

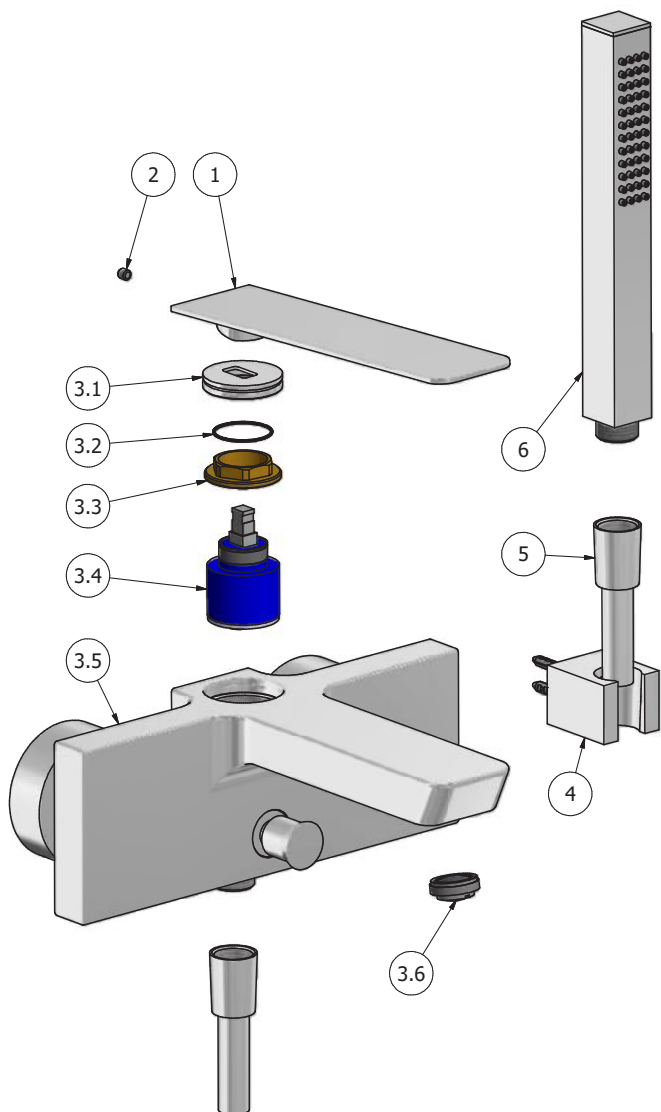
P.IVA 01785230986
capitale sociale
€420.000,00 i.v.

WWW.IBRUBINETTI.IT





IB RUBINETTI



Parts list			
ELEM	CODE	DESCRIPTION	QT
1	AQ0014034	Handle L200 H15.2 3.5°	1
2	AQ0001100	Grubscrew M5x5 p.p.	1
3	CPK3250CC -1	Preassembled	1
3.1	AC0011893	Cover Ø38.5 H7.1	1
3.2	AQ0013356	OR 27x1 NBR 70 SH	1
3.3	AS0011922	Cartridge fixing nut M37x1.25 H8	1
3.4	AQ0014040	Ceramic cartridge Ø35 Wout/D K 35 A	1
3.5	AQ0014056	Complete bath filler	1
3.6	AQ0014111	Perlator coin slot M24x1 (45.2006.000)	1
4	AQ0012209	Shower support square ABS	1
5	AQ0010066	Chromalux hose L150	1
6	AQ0013639	Square hand shower OnAir	1

WARRANTY

All IB Rubinetterie SpA products are warranted for 10 years from the date of purchase, for the following cases:

- Defects of casting, porosity and chrome plating.
- Operating defects caused by incorrect fabrication.

The warranty provides for repair or replacement of products with fabrication defects recognized by our technical office. There is no other type of compensation anche the merchandise must be returned FOB our warehouse. The warranty only cover surface defects (scatches, dings, etc.) on fitting that have not been installed and used, returned in its original packaging with all components. O-ring, gasket seals and components subject to wear proportional to use are warranted for 2 years.

The warranty is void in the following cases:

Error installing and putting the product into service.

Deterioration of finisched surfaces due to use of cleaning products containing acids or abrasive substances. Deterioration of surface with finishes other than chrome plating. Their durability is, in fact, dependent on the user's care and gentleness of use.

Deterioration of the fitting due incorrect installation.

Improper repairs and maintenance performed without the company's prior authorization.

The warranty from IB Rubinetterie SpA is not renewable.

Cleaning

We recommended cleaning the finish surfaces with water and soap, using a soft cloth.

Do not use detergents that cointain hydrochloric acid or abrasive substances.

