














A  x 1	B  x 1	C  x 1	D  x 1	E  x 1
F  M8 x 360 x 1	G  x 3	H  x 3	I  x 1	J  x 2
K  M8 x 290 x 2	L  M6 x 20 x 2	M  x 4		

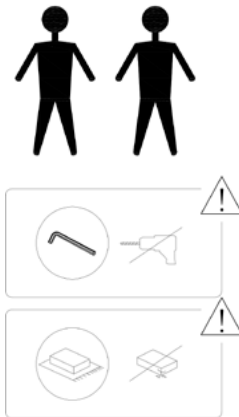


FIG.
1

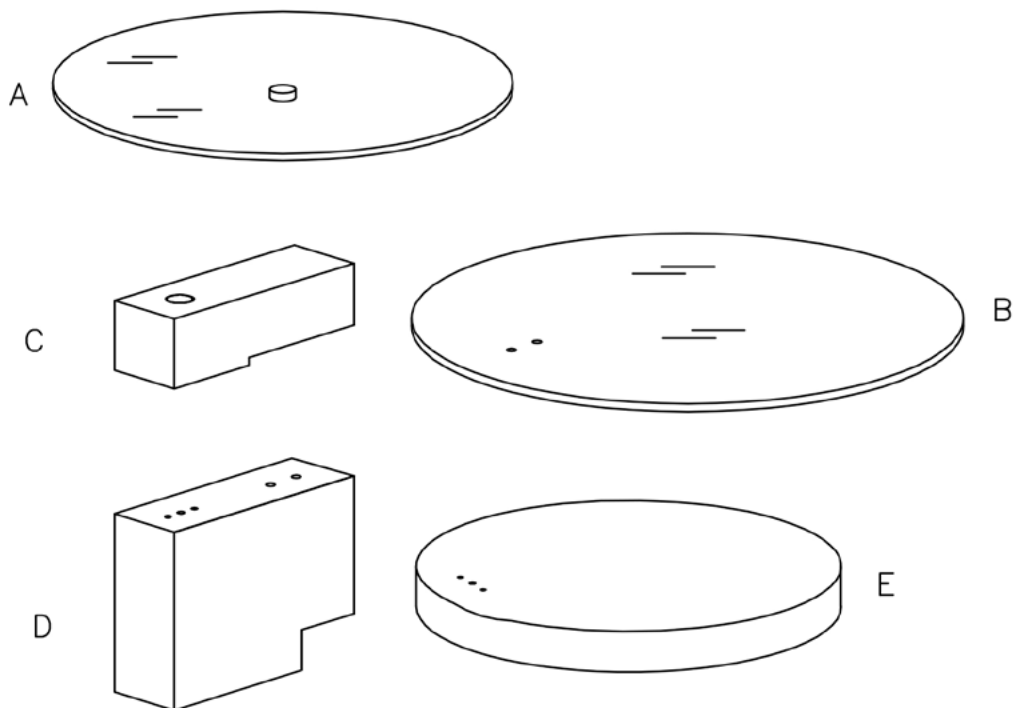


FIG.
2

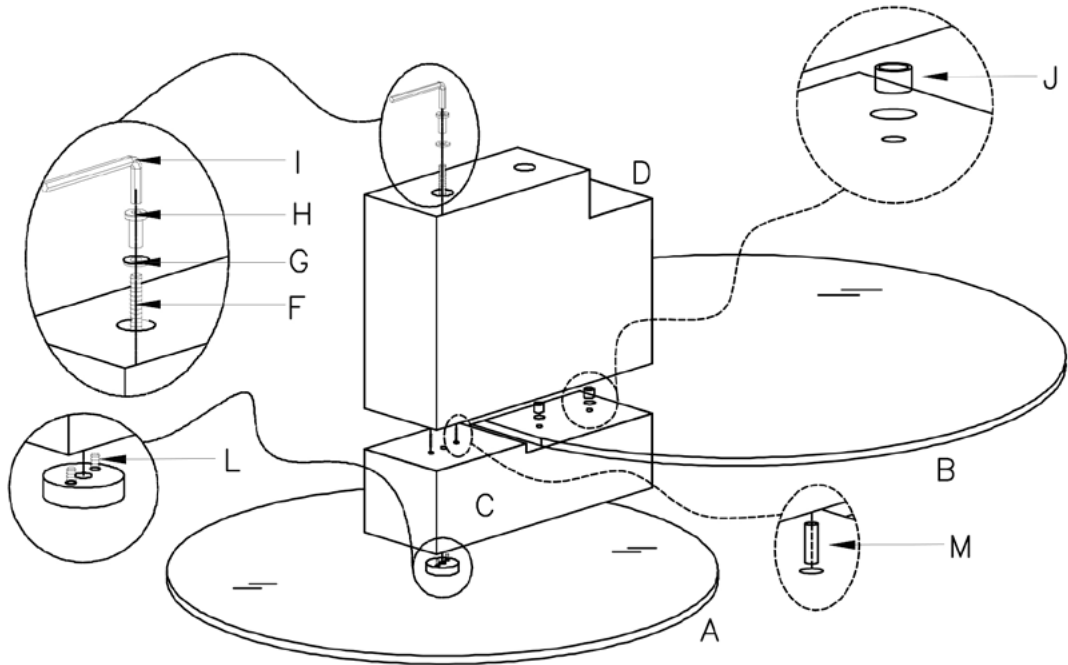


FIG.
3

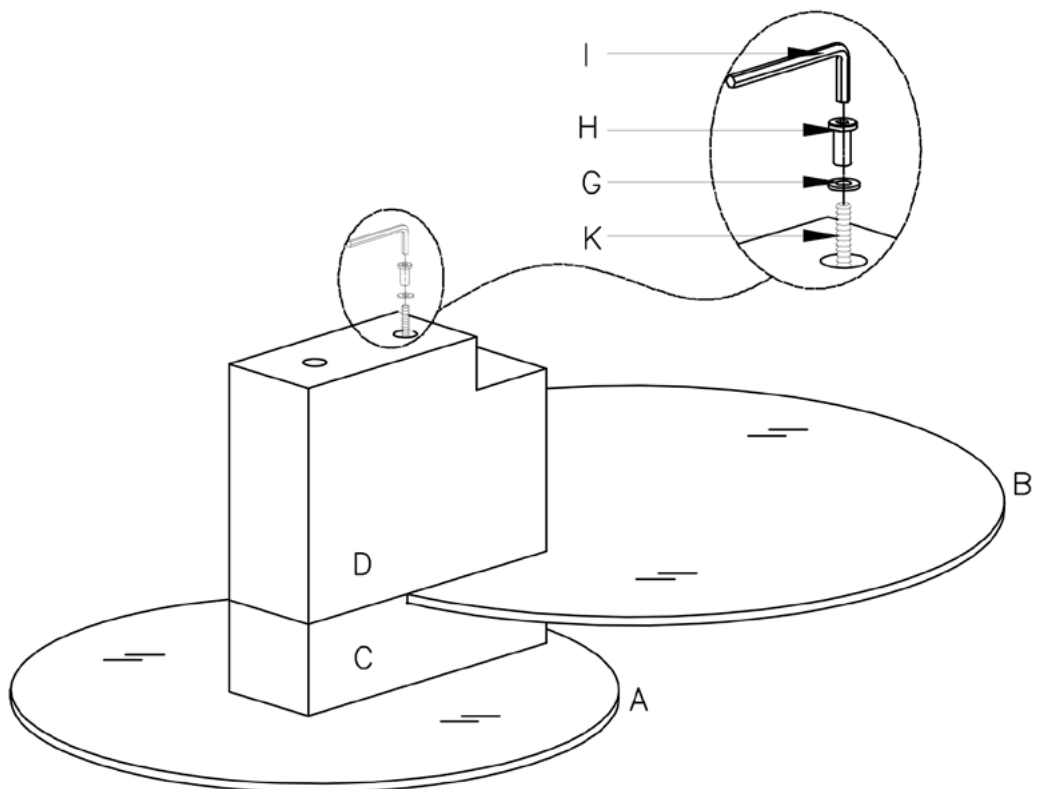


FIG.
4

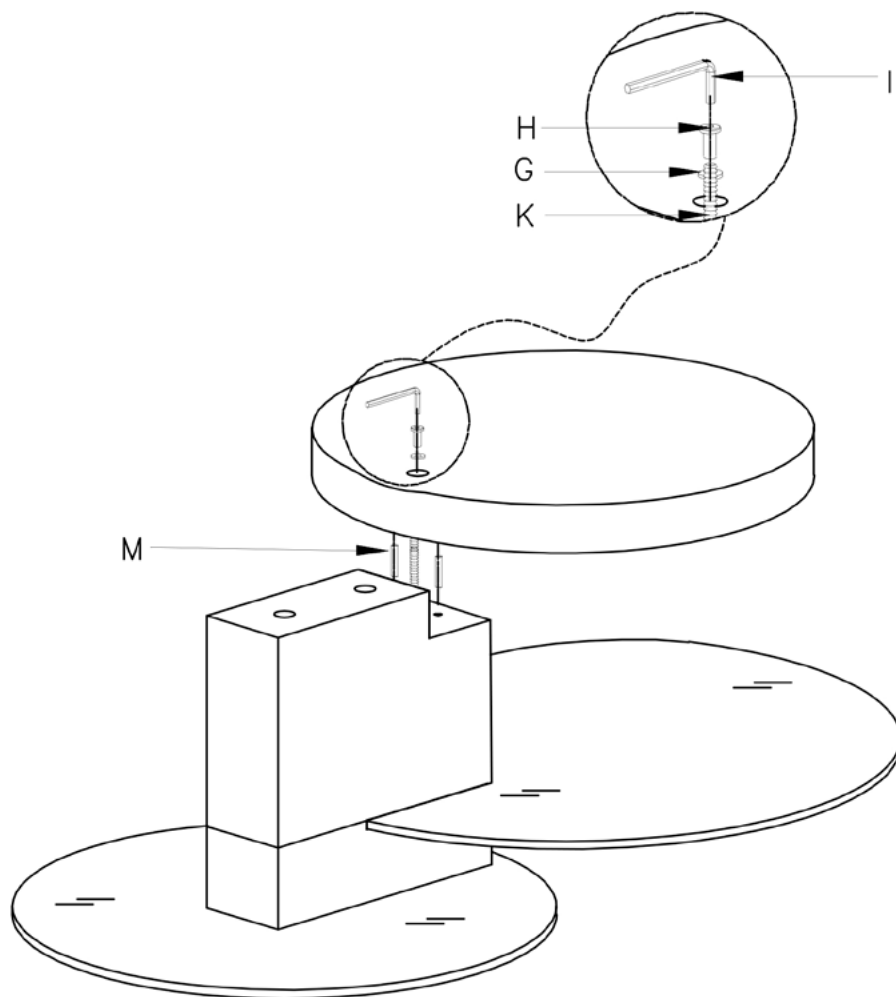


FIG.
5

