

Spout

QTOO collection

d line

PRODUCT DATA SHEET

ITEM NUMBER	SURFACE
QA3080M	Brushed stainless steel
QA3080P	Polished stainless steel

PRODUCT
Spout in marine grade stainless steel.

PICTURE



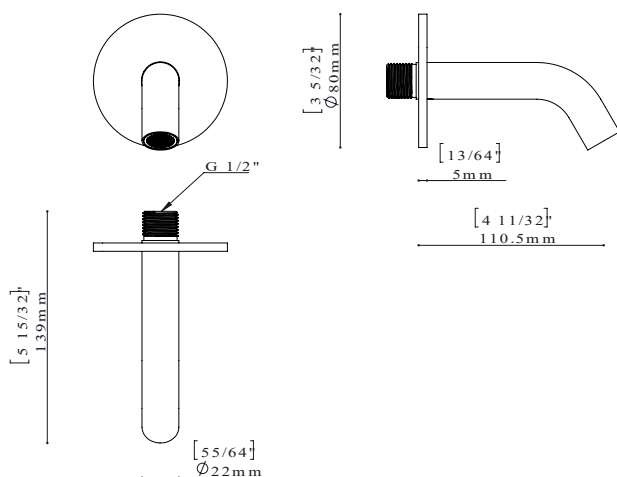
TENDER TEXT

Spout in marine grade stainless steel with a maximum flow rate limited to 5 l/min. Spare free flow aerator included for bathtub use. Lead free compliant and 10 year full warranty.

PRODUCT SPECIFICATION

4 17/32" _115mm projection
Fixed spout
Spout diameter 7/8" _22mm
Built in aerator
Rose diameter 3 5/32" _80mm
1/2" connection
Water flow rate limited to max. 1.3 gpm _5.0 ltr.
Spare free flow aerator included
Marine grade stainless steel AISI316
Lead free compliant

DRAWING



SPARE PARTS / ACCESSORIES:

PRODUCT CARE

d line products are produced in the highest quality stainless steel, marine grade, AISI 316.

To sustain the unique d line finish appearance please follow the below instructions:

- Wash down the surfaces using soapy water or mild detergent
- Always thoroughly rinse off with clean water
- To complete the cleaning procedure dry/polish the surfaces with a soft dry cloth

Please do not use scouring powder, steel wool, chloride based detergents or other aggressive cleaning products as these may damage the surface.

If spots or corrosion appear on the surface it is not due to the stainless steel quality, but to impurities in the environment, aggressive conditions or improper or insufficient cleaning.

Link to our maintenance guide: <https://dline.com/maintenance/>