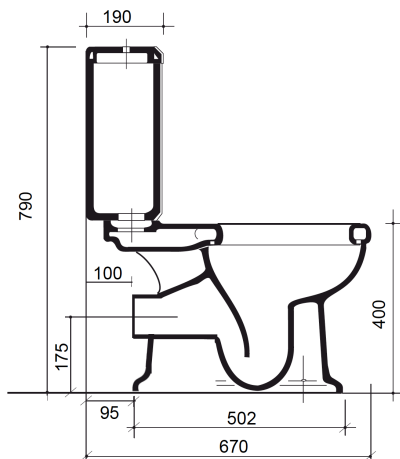


SOHO LAVATORY PAN WITH CLOSE COUPLED CISTERN

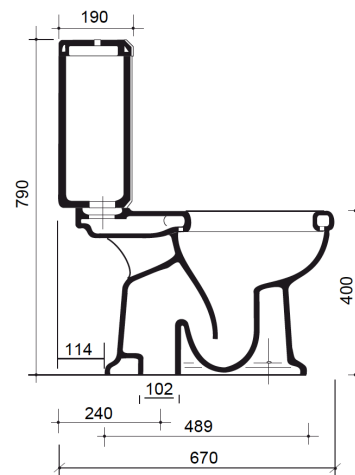
The Soho lavatory pan is shown with a close coupled cistern, matt black painted wooden seat and a graphite flush handle. It can also be used with a low level, high level or concealed cistern.



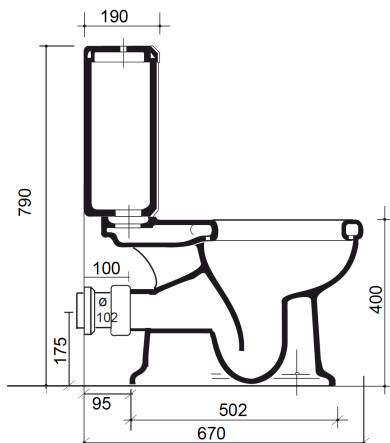
Side view with p-trap pan



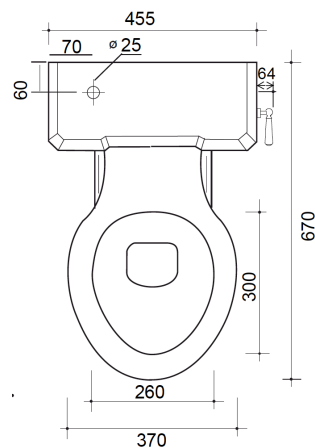
Side view with s-trap pan



Side view with optional horizontal pan connector



Front view



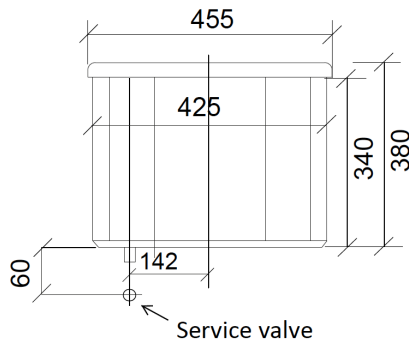
THE
WATER/
MONOPOLY

10/14 Lonsdale Road, London, NW6 6RD
+44 (0)20 7624 2636 thewatermonopoly.com

SOHO LAVATORY PAN WITH CLOSE COUPLED CISTERN

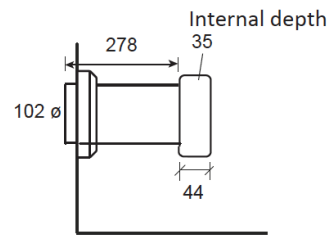
(page 2/2)

Cistern inlet pipe position diagram
(supplied with a bent service valve)

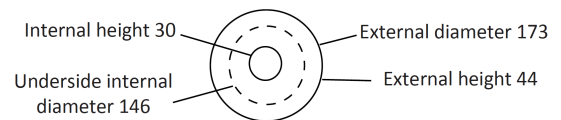


Position of cold feed pipe from
wall. Bent service valve centre.

Horizontal pan connector



Collar for horizontal pan connector



Technical Details

Flush motion: Syphonic with flush handle
Flushing Technology: Syphonic Flush
Depth: 670mm
Height: 790mm
Rim height: 400mm
Inlet connection size: 1/2"
Cistern width: 455mm
Water pressure maximum: 6 bar
Water pressure minimum: 1 bar
Outlet size: 102mm
Water consumption: 6 litres
Optional straight pan connector available
(P-trap version cannot be used with a bent
ceramic pan connector, only a straight pan
connector)

Product Notes

All dimensions are based on original
specifications and are subject to change and
variation.

THE
WATER/
MONOPOLY

10/14 Lonsdale Road, London, NW6 6RD
+44 (0)20 7624 2636 thewatermonopoly.com

Page 2/2
version 10.12.20