



IB RUBINETTI

Collection

BELMONDO

Article

BL350

Description

Wall mounted shower mixer

Box Dimensions

360 x 220 x 150 mm

Weight

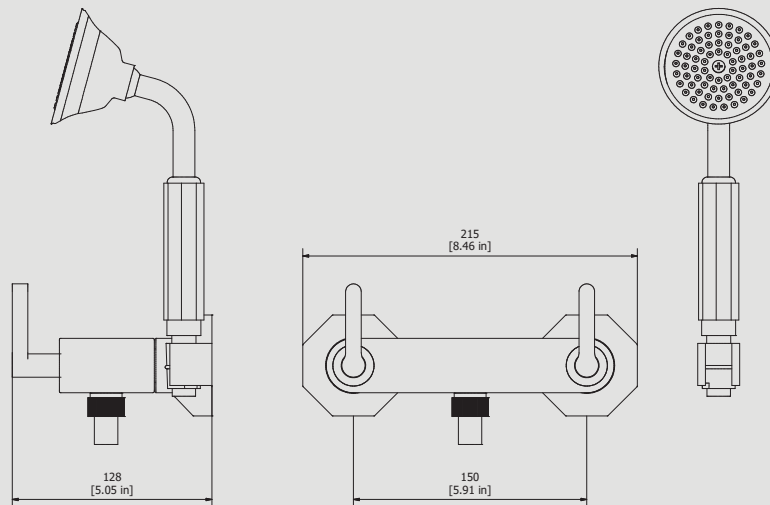
2.5 kg

Finishes

- **CC**
CHROME
- **CF**
BLACK CHROME
- **OO**
GOLD
- **BB**
ANTIQUE BRONZE
- **SS**
BRUSHED NICKEL
- **CS**
BRUSHED BLACK CHROME
- **BO**
MATT WHITE
- **NP**
MATT BLACK
- **IS**
BRUSHED PALE GOLD
- **OS**
BRUSHED GOLD
- **II**
PALE GOLD
- **RR**
ANTIQUE COPPER
- **RS**
ROSE GOLD
- **ON**
NATURAL BRASS
- **SR**
BRUSHED ROSE GOLD
- **PL**
PLATINUM



Dimensions



Ceramic headwork

G1/2" ceramic headwork

Threaded fitting

G1/2" male

Aerator

Flow Rate (+/-10%)

1 BAR
12.4 l/min

2 BAR
27.6 l/min

3 BAR
22 l/min

Production

Main body is a single casted pieces

Material

BRASS
According to CuZn35Pb2AL-B (CB752S)
Max Lead content: 1.36%

IB RUBINETTERIE s.p.a
via dei Pianotti 3/5
25068 Sarezzo (BS) - Italy -

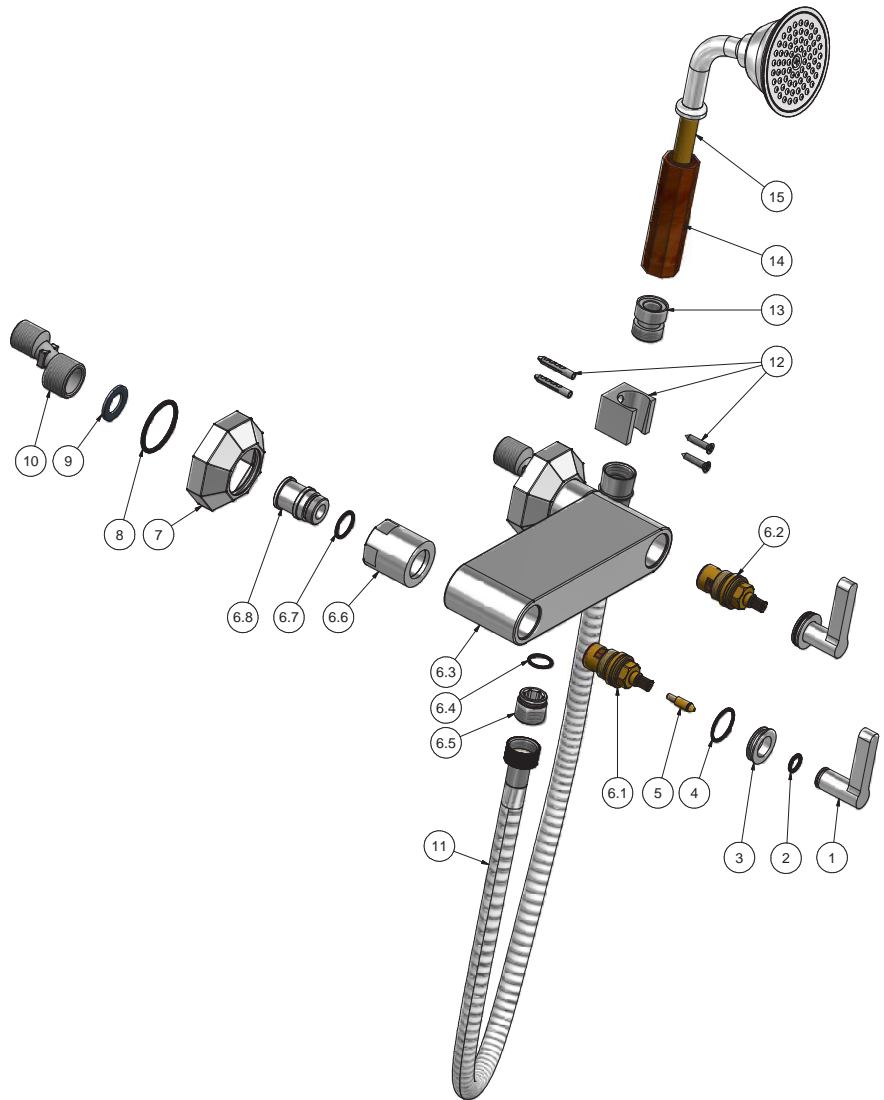
T. +39 030 802101
F. +39 030 803097
info@ibrubinetterie.it

P.IVA 01785230986
capitale sociale
€420.000,00 i.v.

WWW.IBRUBINETTI.IT



Parts list			
ELEM	CODE	DESCRIPTION	QT
1	CC0002160	Lever	2
2	AQ0010153	OR 10x2 NBR 70 SH	2
3	AC0010495	Headwork cover	2
4	AQ0006637	OR 21.95x1.78 NBR 70 SH	2
5	AQ0010617	Click connection for headworks with ring	2
6	CPKBL350C	Preassembled wall mounted shower mixer CX01	1
6.1	AQ0010848	Ceramic headwork 90°right	1
6.2	AQ0010849	Ceramic headwork 90°left	1
6.3	CC0001891	External shower body mixer	1
6.4	AQ0009818	OR 14x1.78 NBR 70 SH	1
6.5	AC0011892	Shower connection piece 1/2" 19x1 H19	1
6.6	AC0010498	Nut H.36 for bath	2
6.7	AQ0004630	OR 17.16x1.78 NBR 70 SH	2
6.8	AC0010253	Seal 20X1 W/seat for valve	2
7	CC0002163	Octagonale rosette	2
8	AQ0001420	OR 24.6x2.62 NBR 70 SH	2
9	AQ0001600	Rubber packing 24x16x2 G3/4"	2
10	AQ0000270	Eccentric nut	2
11	AQ0003120	Inox hose G1/2" F G1/2" F cone	1
12	AC0010030	Shower support	1
13	AC0010675	Insert for handshower	1
14	AQ0012006	Handshower's handle	1
15	AQ0010141	Disassembled Old hand shower	1



WARRANTY

All IB Rubinetterie SpA products are warranted for 10 years from the date of purchase, for the following cases:

- Defects of casting, porosity and chrome plating.
- Operating defects caused by incorrect fabrication.

The warranty provides for repair or replacement of products with fabrication defects recognized by our technical office. There is no other type of compensation anche the merchandise must be returned FOB our warehouse. The warranty only cover surface defects (scatches, dings, etc.) on fitting that have not been installed and used, returned in its original packaging with all components. O-ring, gasket seals and components subject to wear proportional to use are warranted for 2 years.

The warranty is void in the following cases:

Error installing and putting the product into service.

Deterioration of finisched surfaces due to use of cleaning products containing acids or abrasive substances. Deterioration of surface with finishes other than chrome plating. Their durability is, in fact, dependent on the user's care and gentleness of use.

Deterioration of the fitting due incorrect installation.

Improper repairs and maintenance performed without the company's prior authorization.

The warranty from IB Rubinetterie SpA is not renewable.

Cleaning

We recommended cleaning the finish surfaces with water and soap, using a soft cloth.

Do not use detergents that cointain hydrochloric acid or abrasive substances.

