

Lid f/waste bin, Large Ø32

Knud Holscher Collection

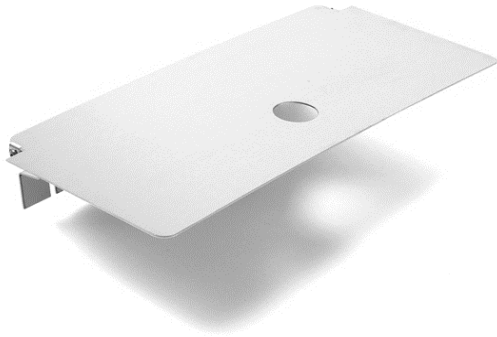
d line

PRODUCT DATA SHEET

ITEM NUMBER	SURFACE
14.7085.02.203	Satin Stainless Steel
16.7085.01.203	Polished stainless steel

PRODUCT
Lid f/waste bin, Large Ø32, satin finish

PICTURE



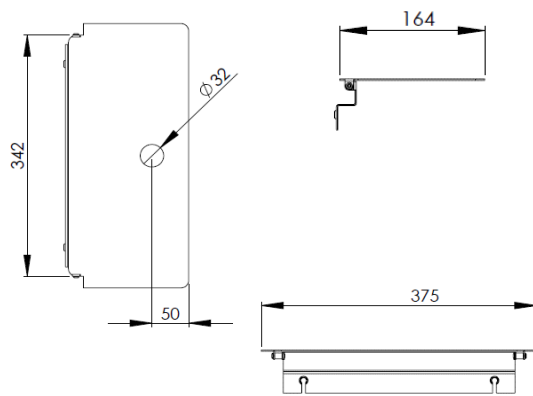
TENDER TEXT

Lid f/waste bin. Outstanding classic danish design by Knud Holscher.
Material: staines steel AISI 316 satin finish, large Ø32. W:375 mm x H:1.5 mm x D:164 mm.

PRODUCT SPECIFICATION

Dimensions: W:375 mm x H:1.5 mm x D:164 mm
Material: satin steel AISI 316
Surfase finish: satin grain 320, crafted by hand
Warranty for stainless steel (non movable) parts - 20 years

DRAWING

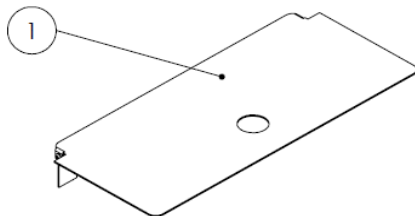


SPARE PARTS / ACCESSORIES:

MOUNTING:
See instruction supplied with product.

PACKING:
1 pcs. in a bag

ISO-DRAWING



PRODUCT CARE

d line products are produced in the highest quality stainless steel, marine grade, AISI 316. To sustain the unique d line finish appearance please follow the below instructions:

- Wash down the surfaces using soapy water or mild detergent
- Always thoroughly rinse off with clean water
- To complete the cleaning procedure dry/polish the surfaces with a soft dry cloth

Please do not use scouring powder, steel wool, chloride based detergents or other aggressive cleaning products as these may damage the surface.
If spots or corrosion appear on the surface it is not due to the stainless steel quality, but to impurities in the environment, aggressive conditions or improper or insufficient cleaning.