

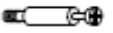

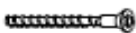
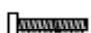





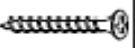




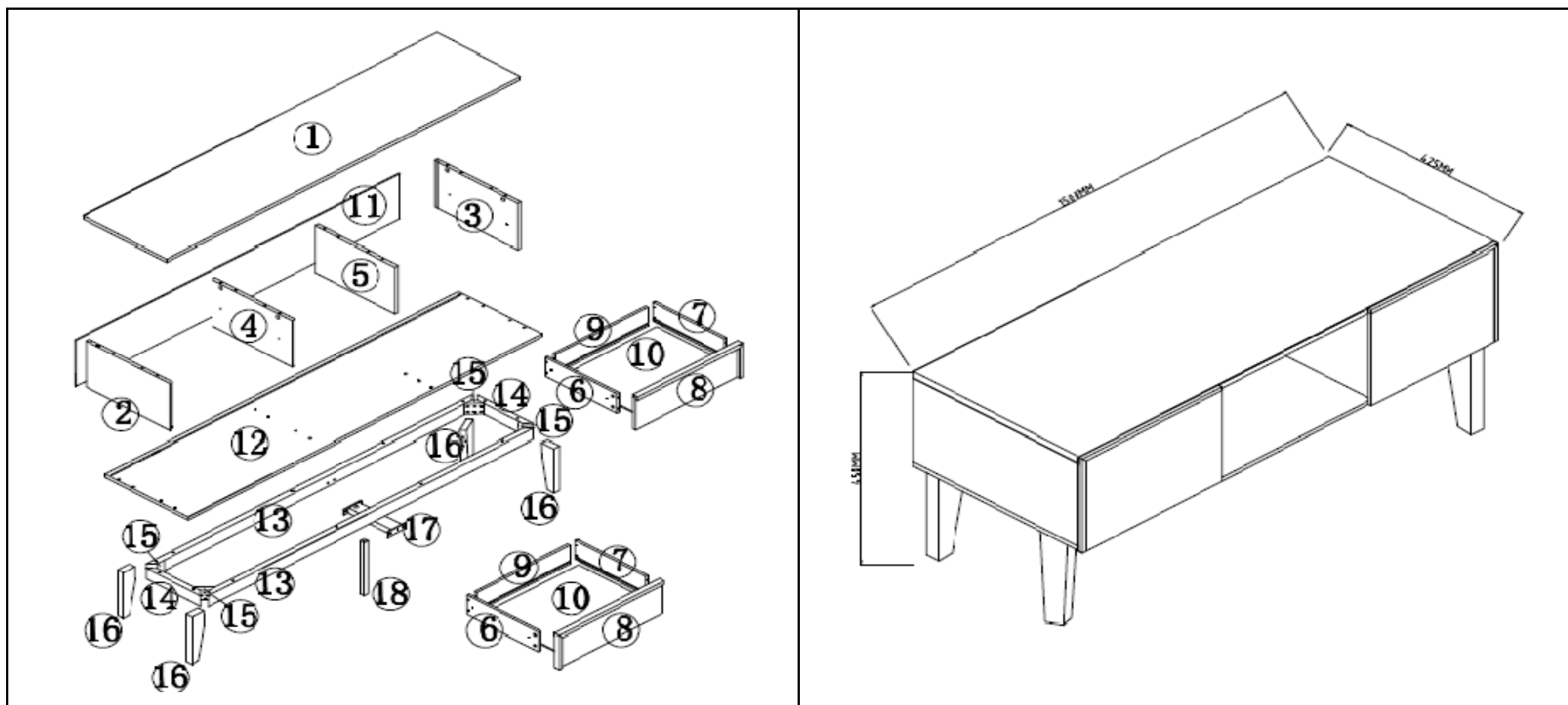


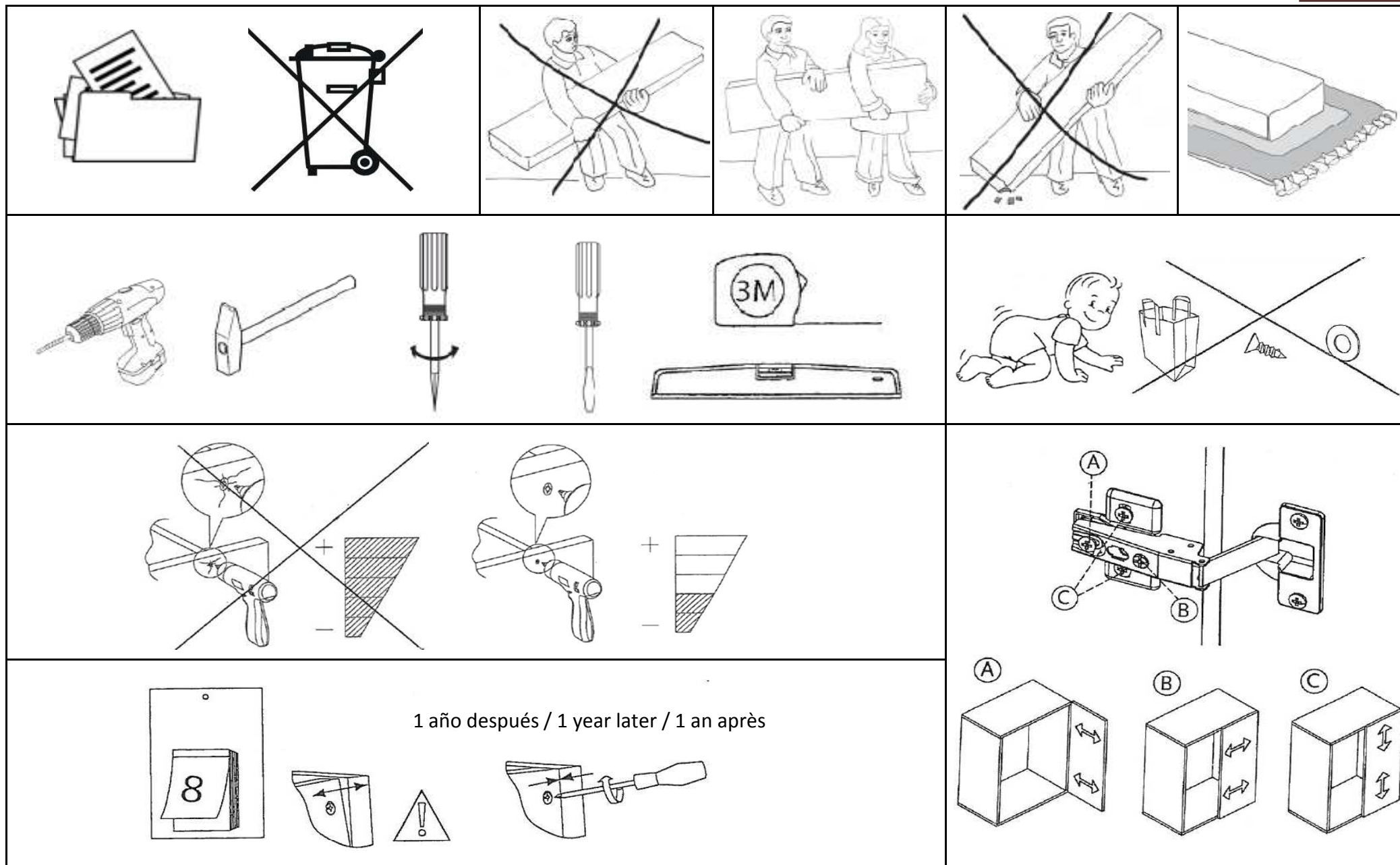
Y004



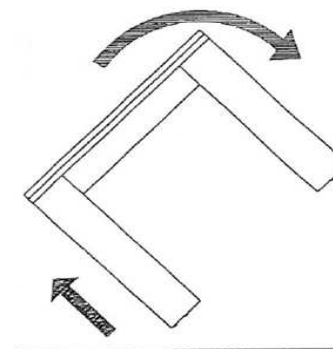
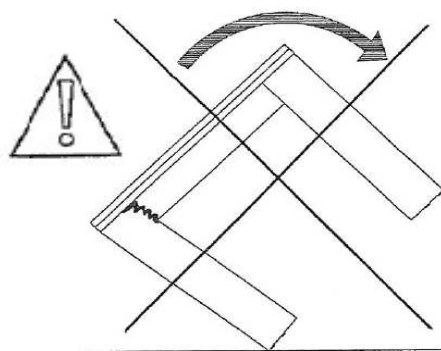
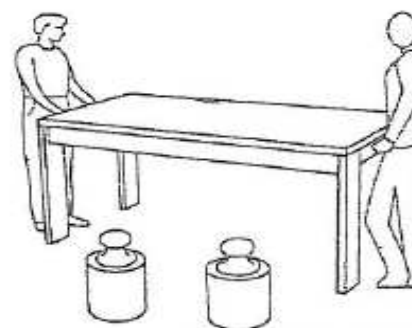
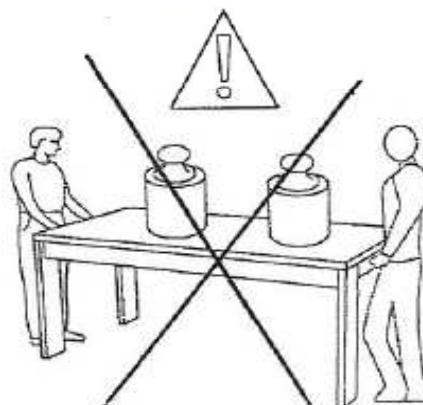
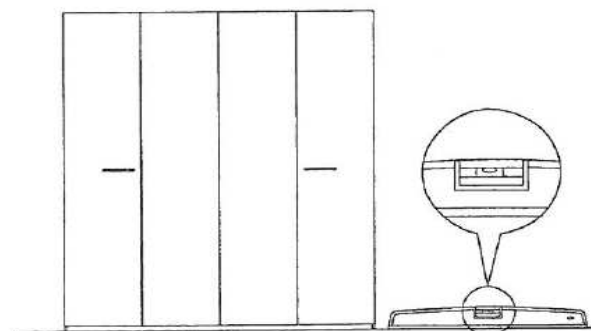
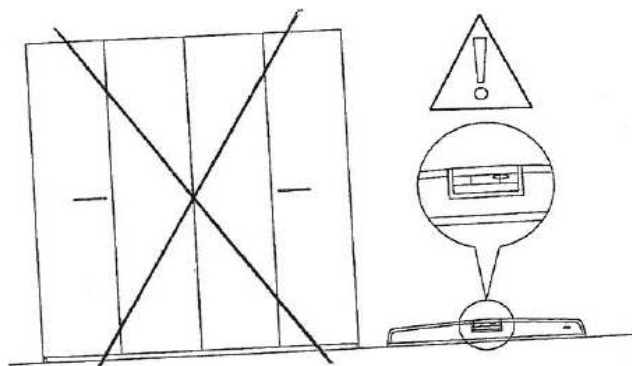
 X2  30 min	 B $\phi 6 \times 36 \text{MM}$ x16 $\phi 15 \times 10 \text{MM}$ x16	 C $\phi 7.8 \times 30 \text{MM}$ x24	 D $M7 \times 50 \text{MM}$ x8	 E $M6 \times 55 \text{MM}$ x12	 F $M6 \times 38 \text{MM}$ x9	 G $\phi 16 \times \phi 8 \times 2$ x12	 H $\phi 16 \times \phi 6.5 \times 1$ x12
	 I $15 \times 10 \text{MM}$ x12	 J $M3.5 \times 14 \text{MM}$ x28	 K $M4 \times 35 \text{MM}$ x8	 L 340MM x4	 M $\phi 28 \times 25 \text{MM}$ x1	 N $M4$ x1	 O $M6 \times 15 \text{MM}$ x4



Y004



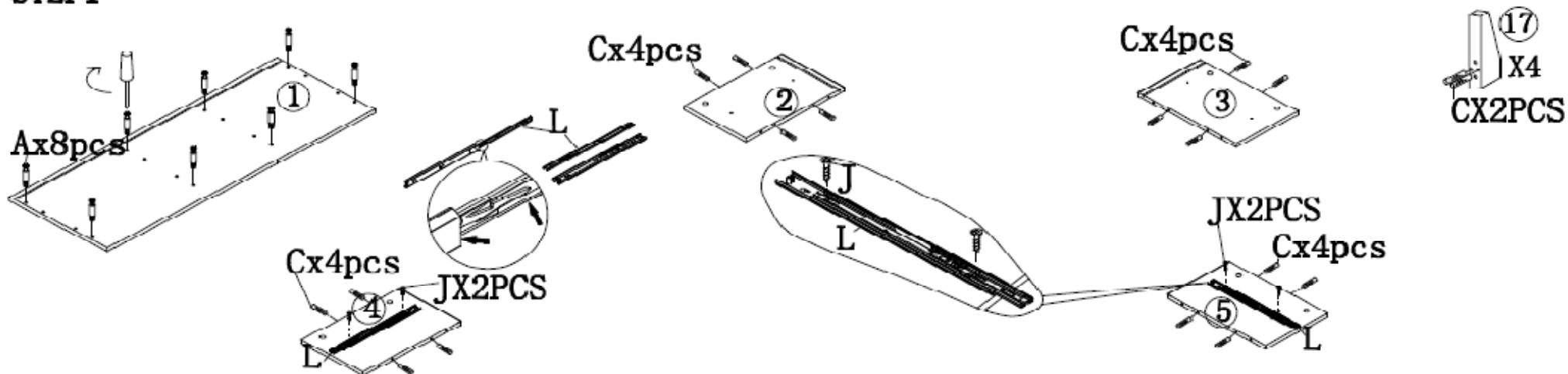
Y004



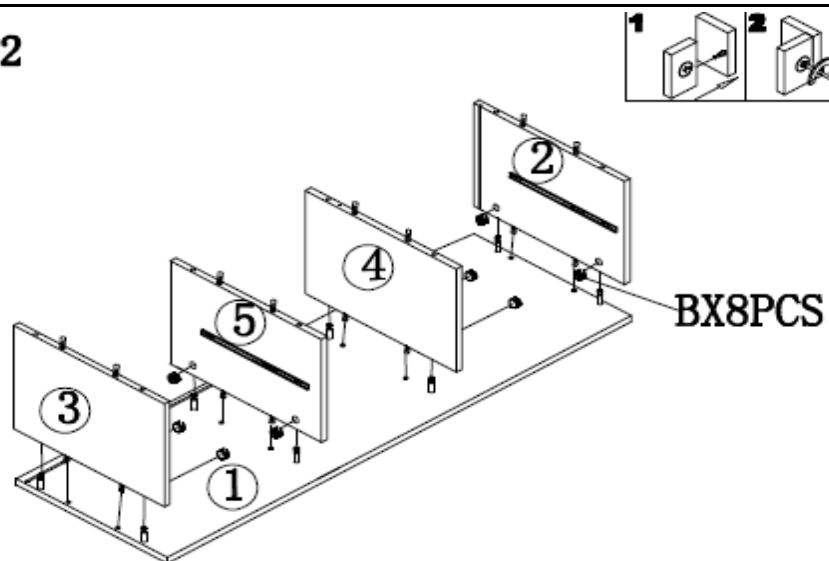
Y004



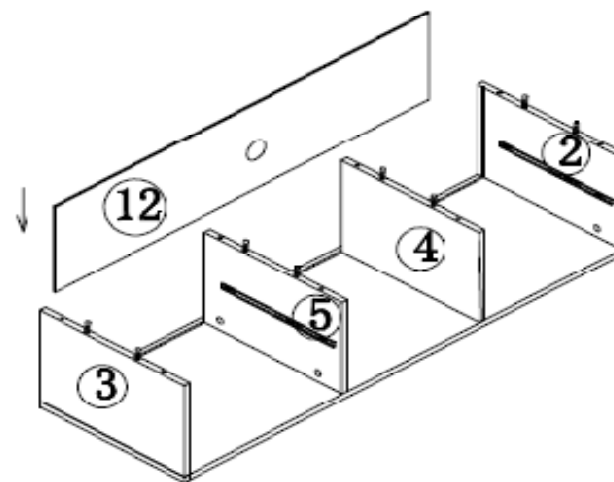
STEP1

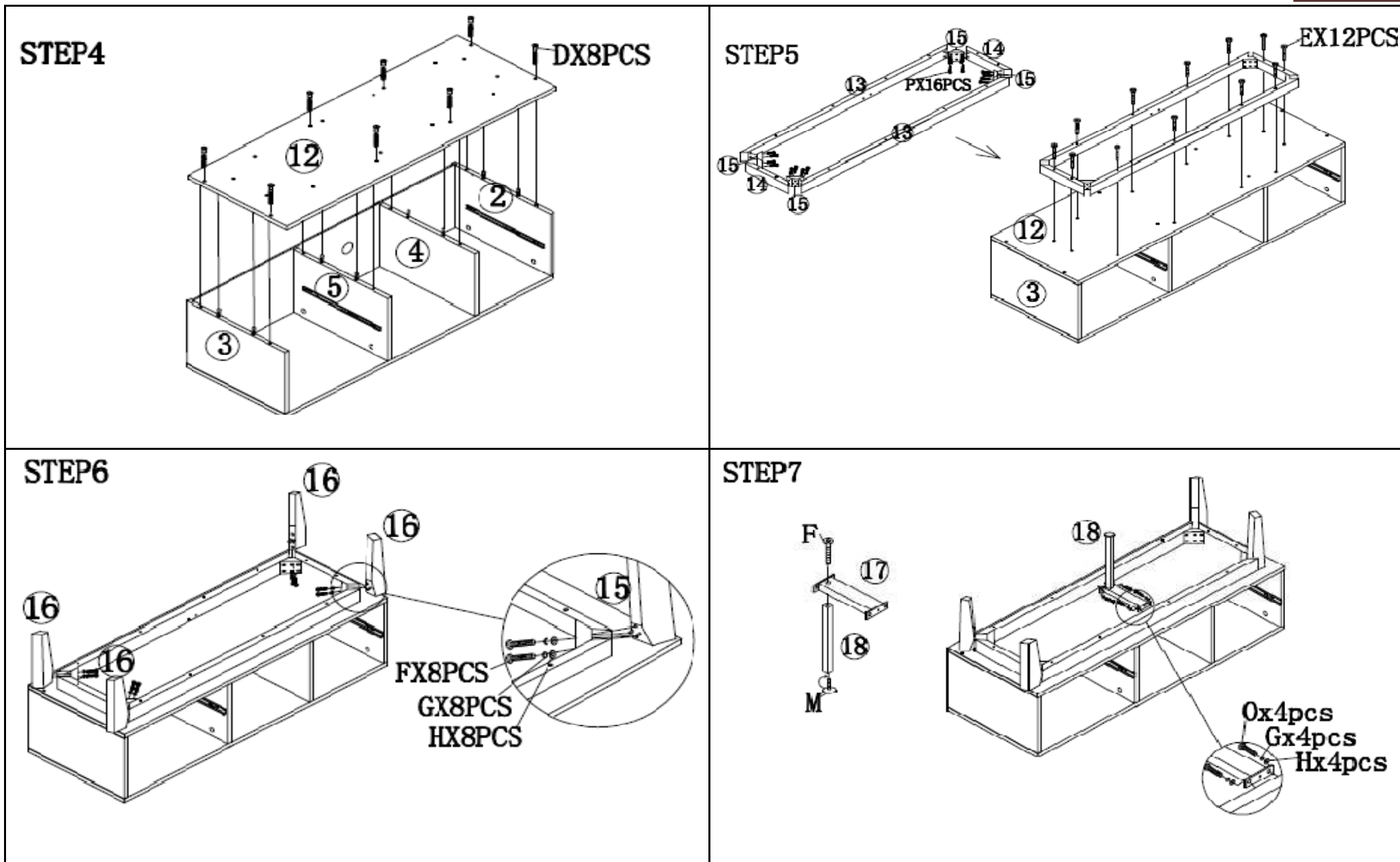


STEP2



STEP3

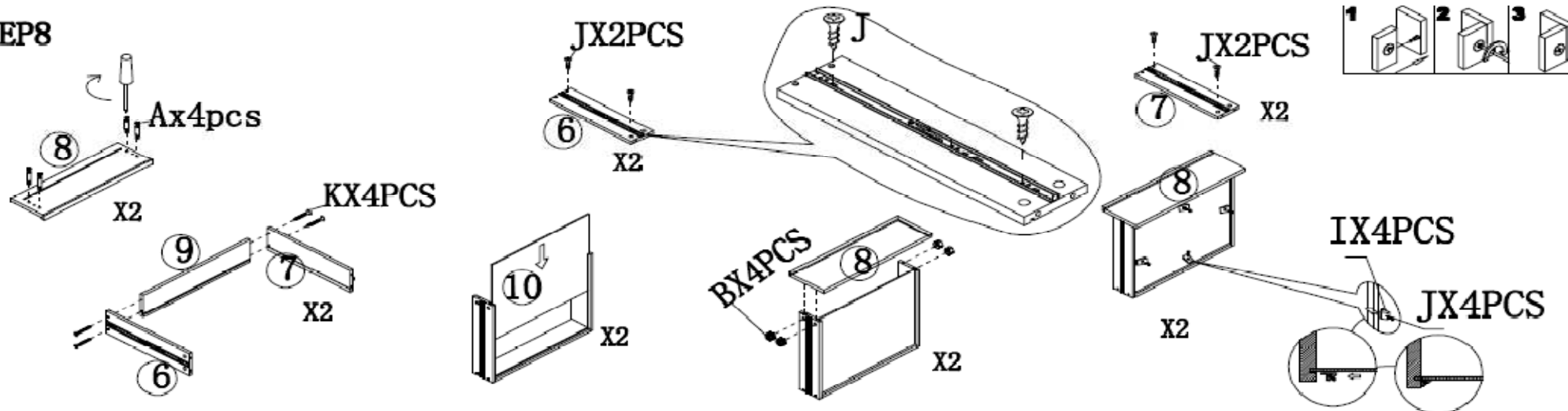




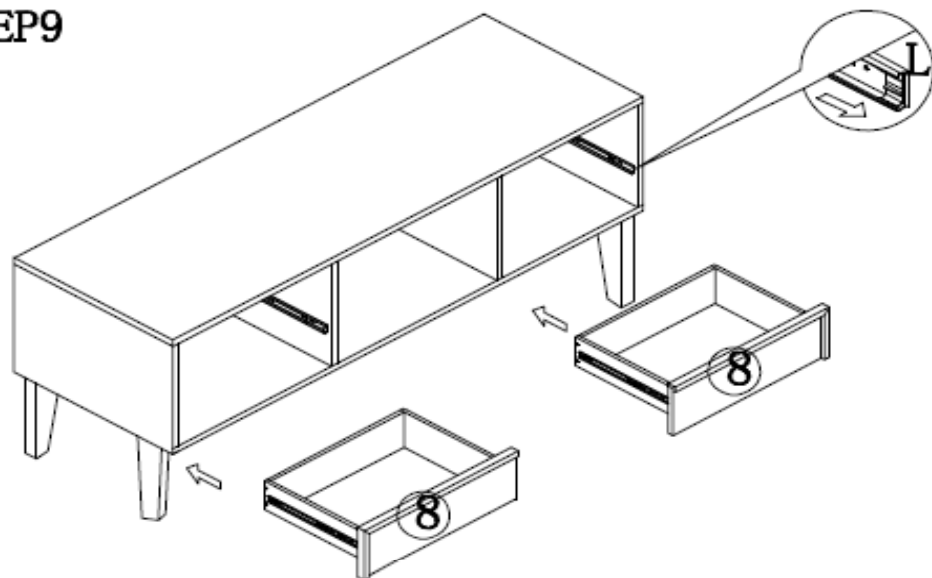
Y004



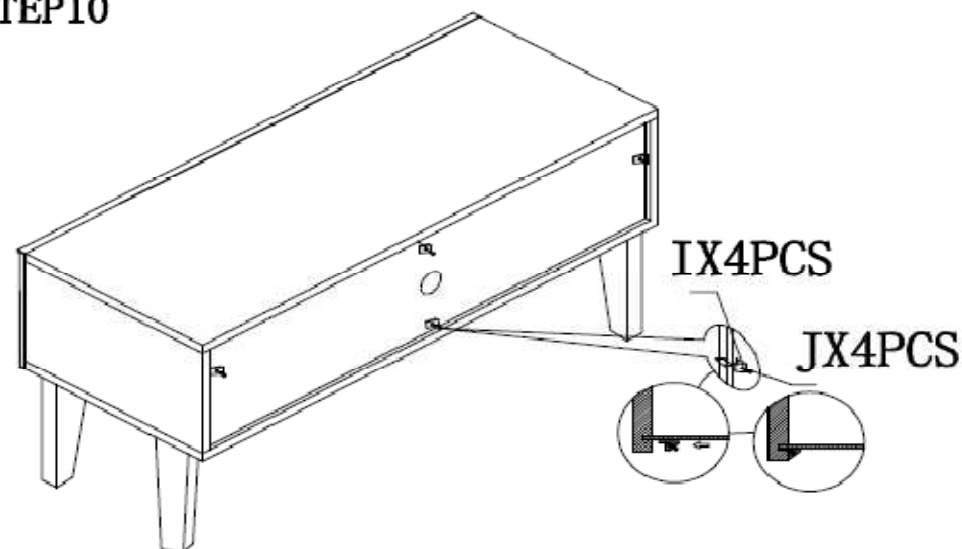
STEP8



STEP9



STEP10



Y004



STEP11

