



IB RUBINETTI

Collection

MARMO

Article

MR390_1

Description

Three holes washbasin with tall spout

Box Dimensions

470 x 290 x 160 mm

Weight

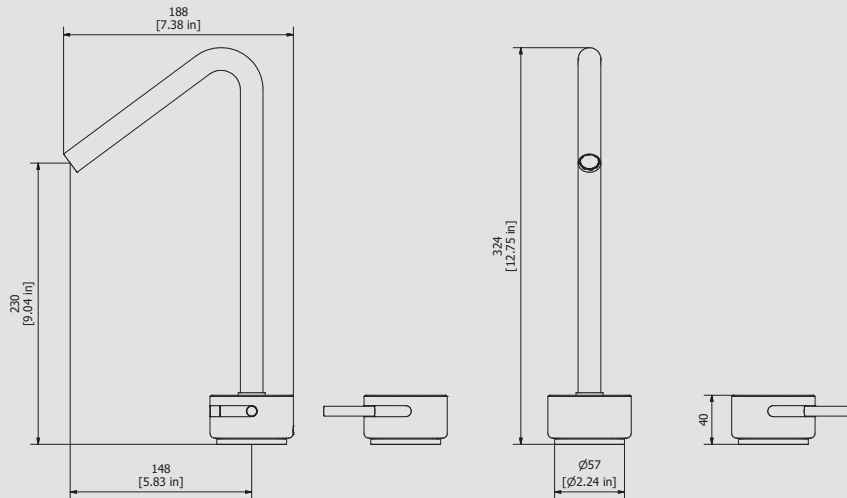
5 kg

Finishes

- **CC**
CHROME
- **CF**
BLACK CHROME
- **OO**
GOLD
- **BB**
ANTIQUÉ BRONZE
- **SS**
BRUSHED NICKEL
- **CS**
BRUSHED BLACK CHROME
- **BO**
MATT WHITE
- **NP**
MATT BLACK
- **IS**
BRUSHED PALE GOLD
- **OS**
BRUSHED GOLD
- **II**
PALE GOLD
- **RR**
ANTIQUÉ COPPER
- **RS**
ROSE GOLD
- **ON**
NATURAL BRASS
- **SR**
BRUSHED ROSE GOLD
- **PL**
PLATINUM



Dimensions



Cartridge

G1/2" ceramic headworks

Treated fitting

Treated fitting G1/2" male

Aerator

M16.5x1

Flow Rate (+/-10%)

1 BAR	2 BAR	3 BAR
4.2 l/min	5 l/min	5 l/min

Production

Main body is a machined from a solid pieces

Material

BRASS
According to CuZn45 (CW510L)
Max Lead content: 0.2%

IB RUBINETTERIE s.p.a
via dei Pianotti 3/5
25068 Sarezzo (BS) - Italy -

T. +39 030 802101
F. +39 030 803097
info@ibrubinetterie.it

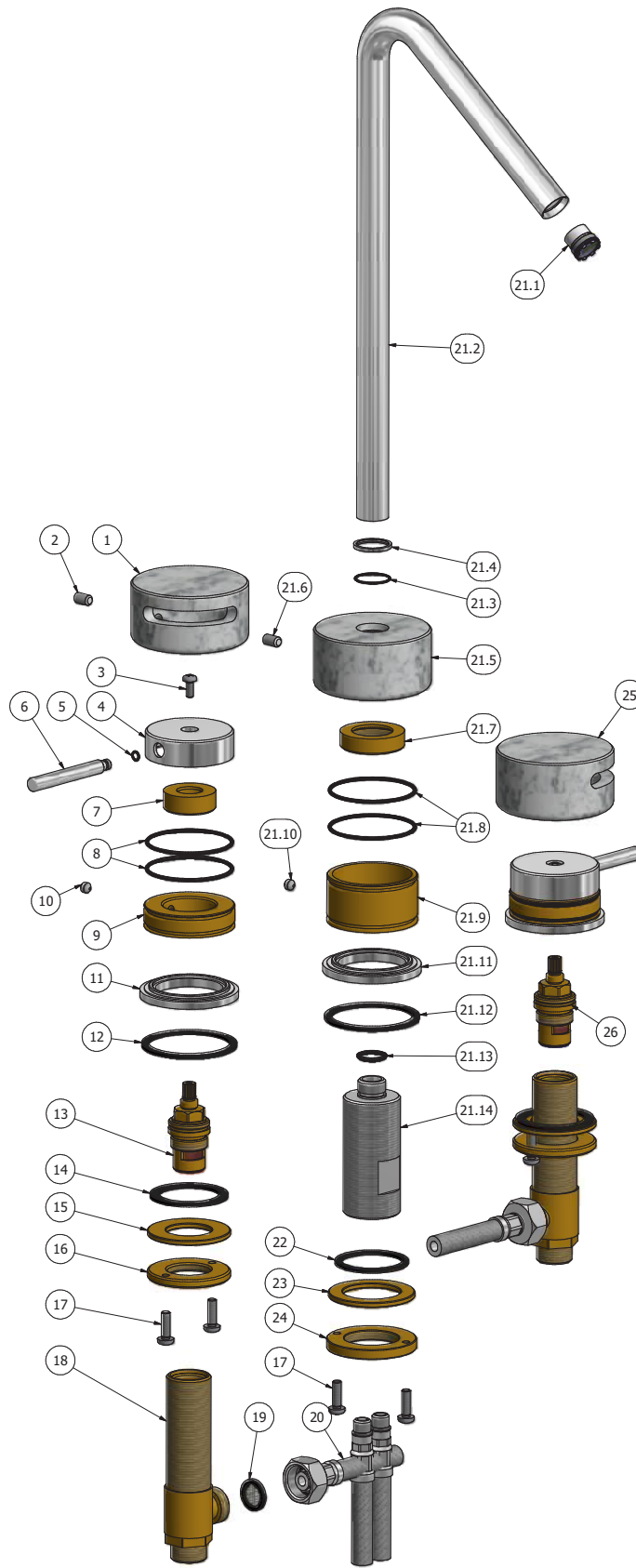
P.IVA 01785230986
capitale sociale
€420.000,00 i.v.

WWW.IBRUBINETTI.IT





IB RUBINETTI



Elenco parti			
ELEM	CODICE	NUMERO DI MAGAZZINO	QT
1	AQ0014839	Barble cover Ø68 H35 left	1
2	AQ0015105	Nylon grub screw M6x10 taglio cacciavite p.p.	2
3	AQ0002160	Inox screw M4x10	2
4	AC0012459	Handle Ø51 H15.5	2
5	AQ0010327	OR 4x1 NBR 70 SH	2
6	AC0012453	Rod Ø8 M6 H63	2
7	AS0012451	Insert for fixed Ø30.3 H11 M24x1	2
8	AQ0001450	OR 47.37x1.78 NBR 70 SH	4
9	AS0012454	Base for handle Ø52.4 H13	2
10	AQ0013370	Grubscrew M6x5 cone point	2
11	AC0012458	Base Ø57 H6.8 Ø39	2
12	AQ0011028	Flat gasket Ø55 Ø47 H2	2
13	AQ0002135	Ceramic headwork 90° left	1
14	AQ0008013	Rubber packing 45x35x2	2
15	AS0010697	Washer Ø48 x Ø26.5 x3	2
16	AS0010698	Ring nut W26x19	2
17	AQ0010358	Inox screw M5x16	6
18	AS0002250	Washbasin upright W26x19	2
19	AQ0010360	Rubber packing 1/2" H2 with filter	2
20	AQ0010273	Inox hose M10x1 G1/2" L400	2
21	CPMR390C	Preassembled spout out tall C-1	1
21.1	AQ0015104	Perlator PCA Caché honeycomb 1.5 gpm (44.3356.010)	1
21.2	AC0012488	Spout Ø18.5 H309	1
21.3	AQ0015009	OR 19x1 NBR 70 SH	1
21.4	AC0012561	Ring Ø22 Ø18.9 H2	1
21.5	AQ0014837	Marble cover Ø68 H35 carrara's white	1
21.6	AQ0015105	Nylon grub screw M6x10 taglio cacciavite p.p.	1
21.7	AS0012499	Insert for fixed Ø37.3 H9.5 M33x1.5	1
21.8	AQ0001450	OR 47.37x1.78 NBR 70 SH	2
21.9	AS0012452	Base Ø52 H28	1
21.10	AQ0013370	Grubscrew M6x5 cone point	1
21.11	AC0012458	Base Ø57 H6.8 Ø39	1
21.12	AQ0011028	Flat gasket Ø55 Ø47 H2	1
21.13	AQ0009818	OR 14x1.78 NBR 70 SH	1
21.14	AC0012449	Threaded stem M33x1.5 M16x1 H80	1
22	AQ0008012	Plane seal Ø42.5x35.5x2	1
23	AS0010659	Brass ring Ø50x35.5x3	1
24	AS0010658	Ring nut with screwed holes Ø52 M33x1.5 H6	1
25	AQ0014842	Marble cover Ø68 H35 right	1
26	AQ0003930	Ceramic headwork 90° right	1



WARRANTY

All IB Rubinetterie SpA products are warranted for 10 years from the date of purchase, for the following cases:

- Defects of casting, porosity and chrome plating.
- Operating defects caused by incorrect fabrication.

The warranty provides for repair or replacement of products with fabrication defects recognized by our technical office. There is no other type of compensation anche the merchandise must be returned FOB our warehouse. The warranty only cover surface defects (scatches, dings, etc.) on fitting that have not been installed and used, returned in its original packaging with all components. O-ring, gasket seals and components subject to wear proportional to use are warranted for 2 years.

The warranty is void in the following cases:

Error installing and putting the product into service.

Deterioration of finisched surfaces due to use of cleaning products containing acids or abrasive substances. Deterioration of surface with finishes other than chrome plating. Their durability is, in fact, dependent on the user's care and gentleness of use.

Deterioration of the fitting due incorrect installation.

Improper repairs and maintenance performed without the company's prior authorization.

The warranty from IB Rubinetterie SpA is not renewable.

Cleaning

We recommended cleaning the finish surfaces with water and soap, using a soft cloth.

Do not use detergents that cointain hydrochloric acid or abrasive substances.

