

INSTALLATION GUIDE

Infold Door

MERLYN™
M

8
Series

IMPORTANT

Thank you for choosing Merlyn. Please familiarise yourself with the fitting instructions before commencing fitting.

- 1 Check that you have the tools required
- 2 Check that the installation site is compatible with size of door supplied
- 3 Check all the enclosure components
- 4 Check that the installation kit is complete

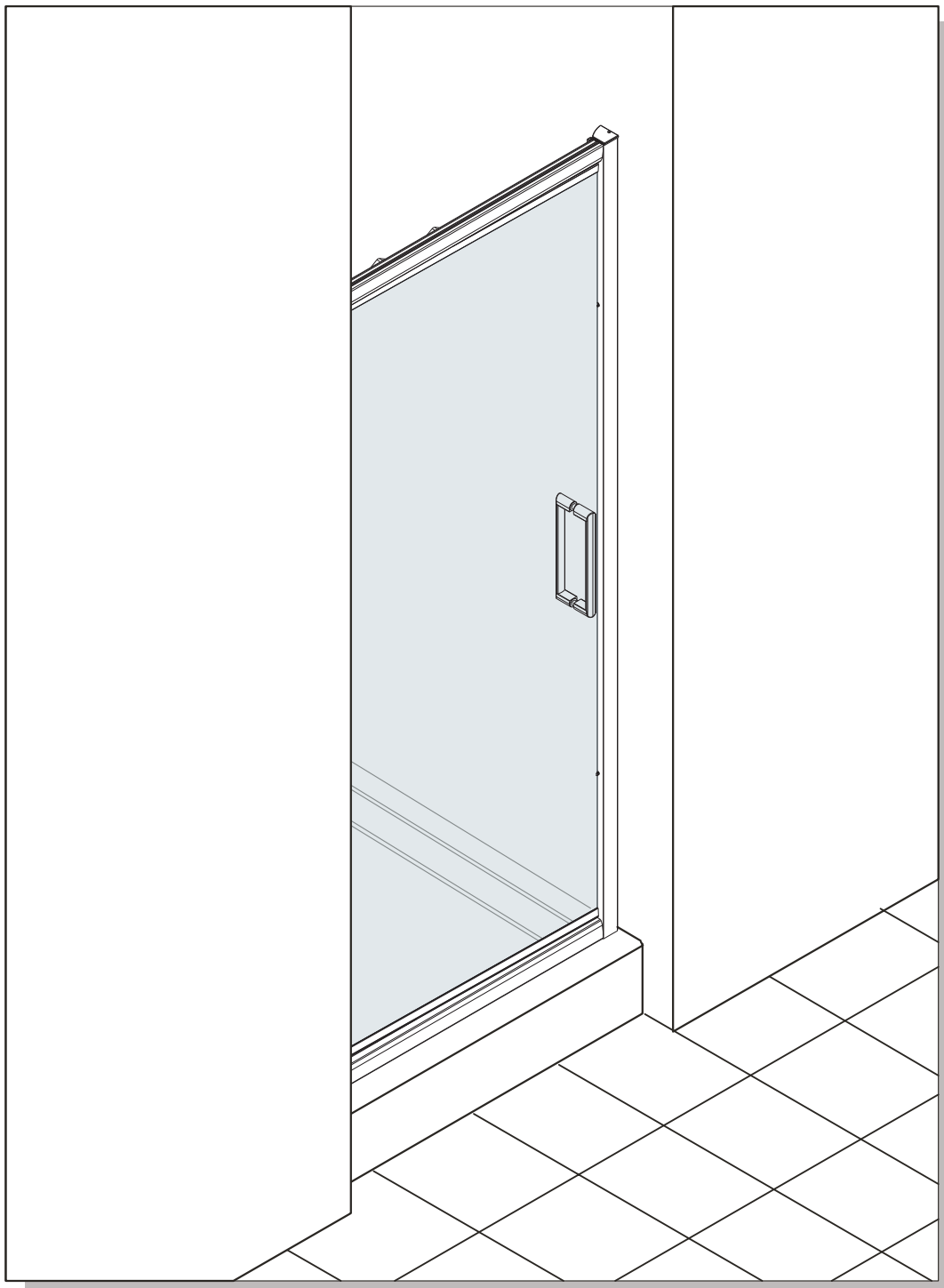
DO NOT attempt to install the product unless you can tick **ALL 4** boxes as satisfactory.

The wall plugs supplied with the installation kit are for use in solid walls. Hollow or 'stud - partition' walls will require alternative fixings. Please consult a hardware supplier for the correct type.

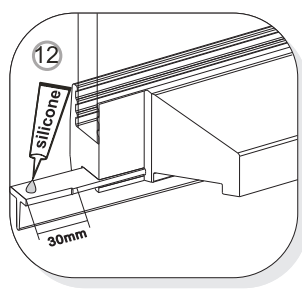
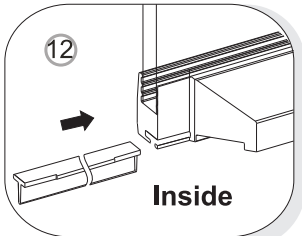
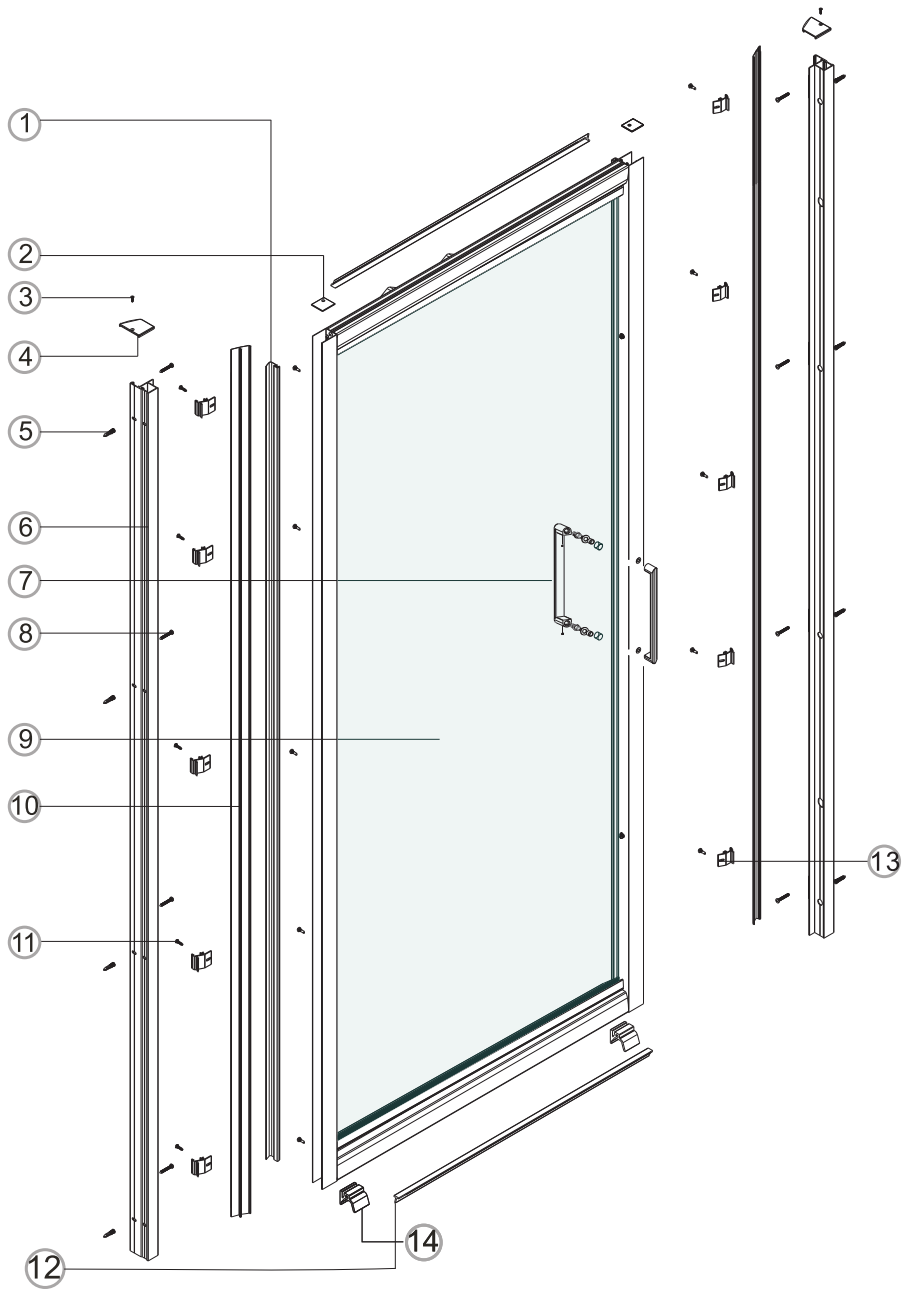
It may also be necessary to consult your tiling supplier about the correct method for drilling your tiles.

USE SAFETY EYEWEAR WHEN DRILLING

Any parts missing or damaged must be reported to your supplier within 5 days of purchase. Inspect shower enclosure before fitting. No claims will be accepted after product has been installed.



COMPONENTS AND BOX CONTENTS



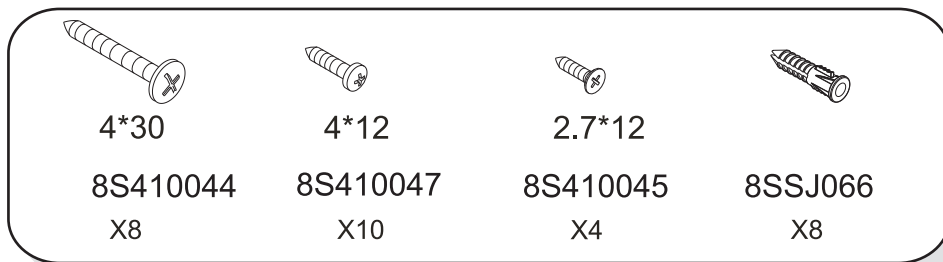
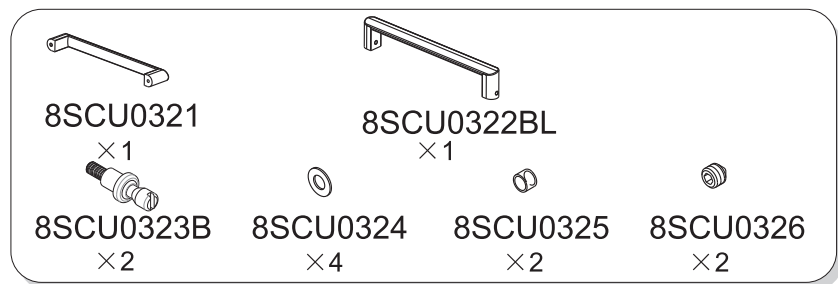
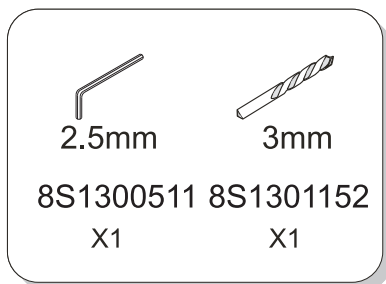
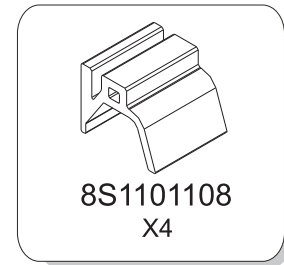
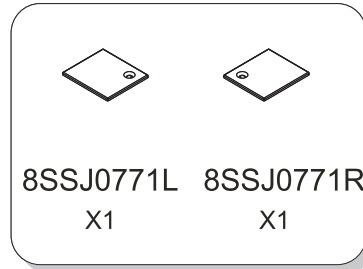
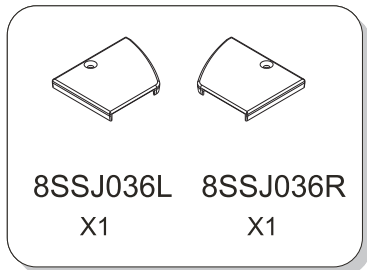
Note: Remove spacers in frame. Insert seal **8SSJ074** into the top and bottom profile. On both ends, pull out 30mm and put silicone on the top of the seal and reinsert.

No.	Description	Qty	Part No.
1	Water-retaining sideway gasket	1	8S310126
2	Infold upright profile cover cap	2	8SSJ0771L/R
3	Wall profile cover caps screw	4	8S410045
4	Wall profile cover cap	2	8SSJ036L/R
5	Wall plug	8	8SSJ066
6	Wall profile	2	8SALMJ9071
7	Handle complete inside & outside	1	8SCU032BL
8	Wall fixing screw(4x30)	8	8S410044
9	Moving panel	1	A
10	Trim strip	2	8SAL0002
11	Frame fixing screw(4x12)	10	8S410047
12	Bottom deflector strip seal	2	8SSJ074
13	Nylon clip	10	8SSJ037
14	Glass spacer	4	8S1101108

Note: Further part details for fixing kit available on Page 2

FIXING KIT COMPONENTS, TOOLS REQUIRED, SITE CONDITIONS

Fixing Kit components *parts shown are not to scale*



Tools required

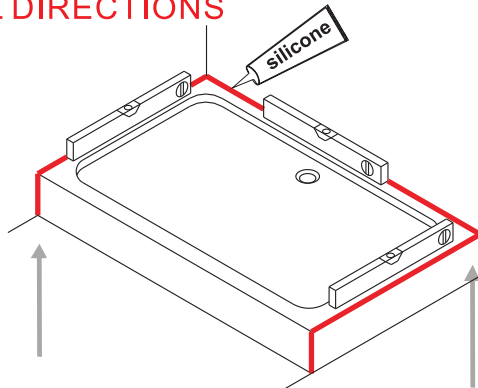
- 6mm masonry drill bit
- Power drill
- Quality silicone
- Pencil
- Tape measure
- #2 and #1 Philips head screw driver
- Spirit level with horizontal and vertical level indicators
- 2.5mm hex key (for handle)
- 10mm wrench

IMPORTANT - Installation Site

1. Ensure the top surface of the shower tray on which the enclosure will be installed is level in every direction.
2. The tiling or other wall finishing should be effectively sealed at the tray edges.
3. Tiles should extend at least to the corners of the tray and a minimum of 2 metres from the top of the tray.

POSITIONING OF WALL PROFILES

TRAY MUST BE 100% LEVEL IN ALL DIRECTIONS



Ensure the shower tray is level in all directions and is properly sealed to the wall. The wall must be tiled down to the top edge of the tray. **Do not angle out bottom tile.**

TRAY MUST BE SEALED FULLY AROUND WHERE THE TRAY MEETS THE WALL

Step 1

Place the wall profile **8SALMJ9071** 20mm from the edge of the tray. Ensure the wall profiles are plumb.

Step 2

Mark the position for fixing the wall profile to the wall.

IMPORTANT: MARK THROUGH THE CENTRE OF THE SLOT.

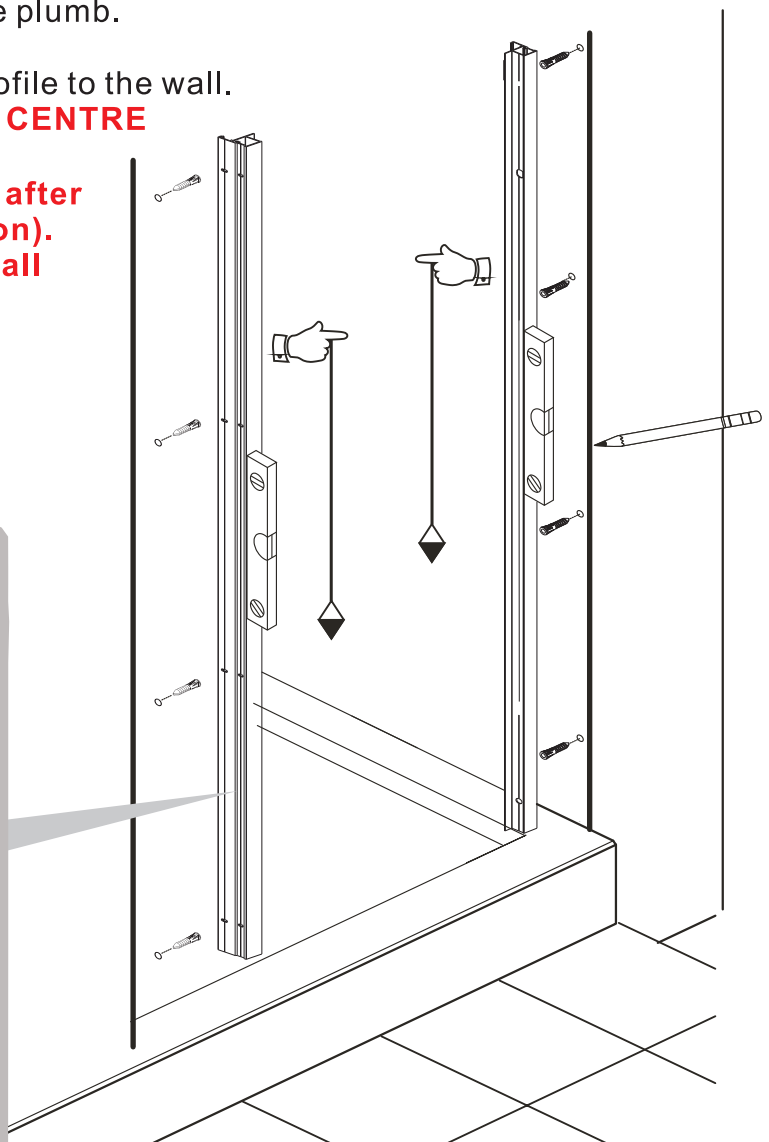
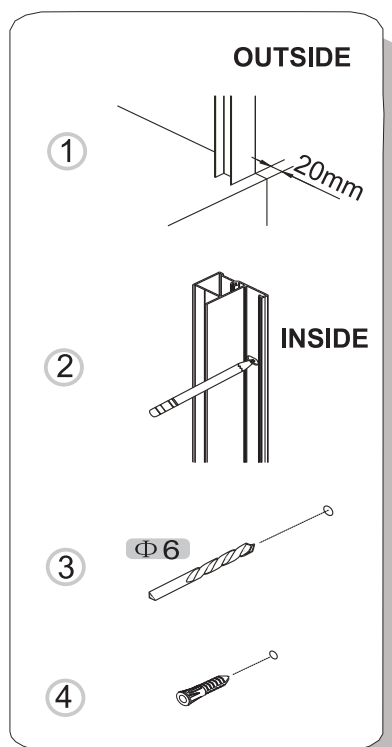
Note: Only silicone the wall profile after fixing to the wall (see sealing section). Do not silicone on the back of the wall profile before fixing to the wall.

Step 3

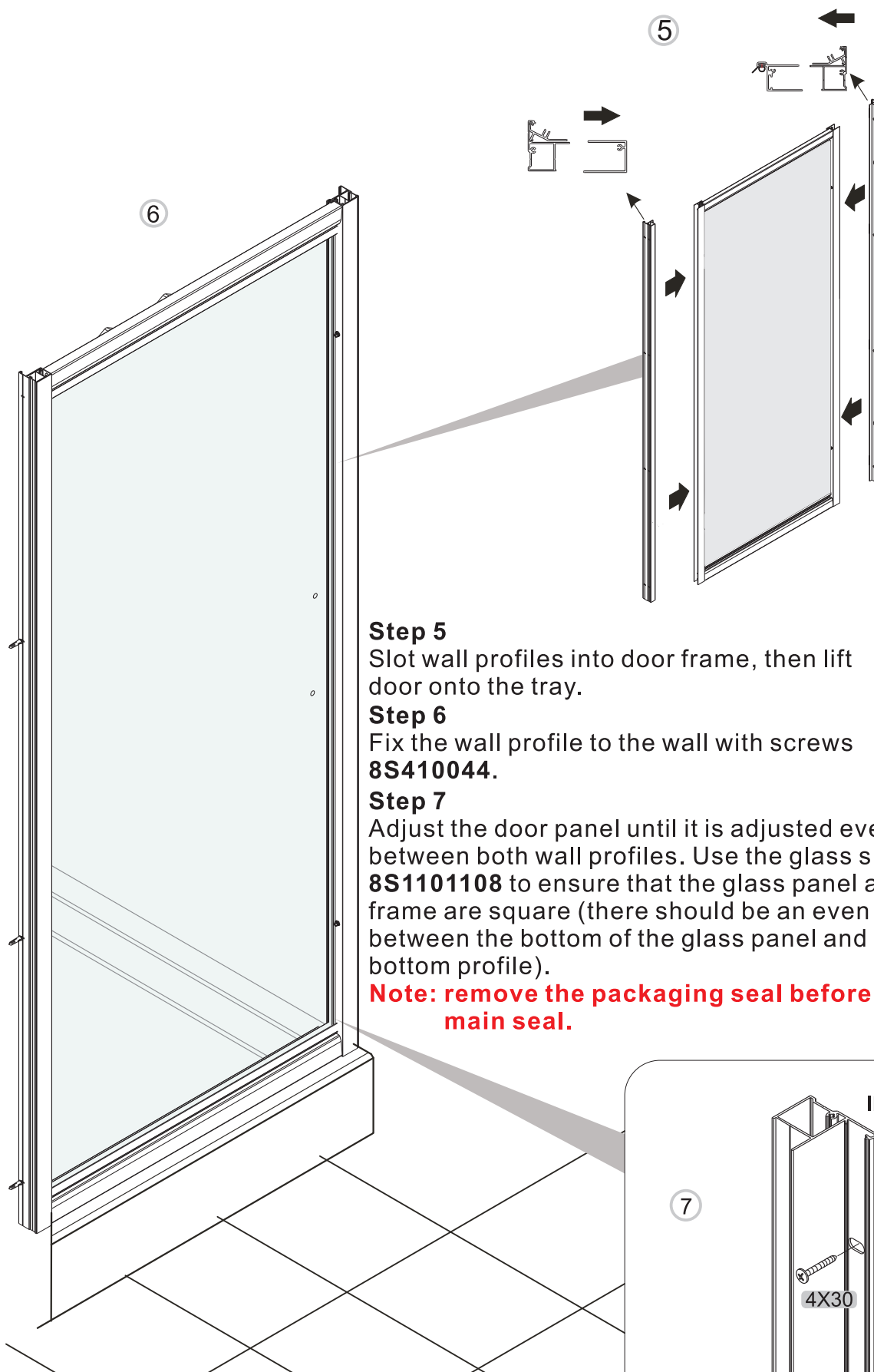
Drill holes with 6mm masonry bit.

Step 4

Insert the wall plugs **8SSJ066**.



FIXING WALL PROFILES TO WALL



Step 5

Slot wall profiles into door frame, then lift door onto the tray.

Step 6

Fix the wall profile to the wall with screws **8S410044**.

Step 7

Adjust the door panel until it is adjusted evenly between both wall profiles. Use the glass spacer **8S1101108** to ensure that the glass panel and the frame are square (there should be an even gap between the bottom of the glass panel and the bottom profile).

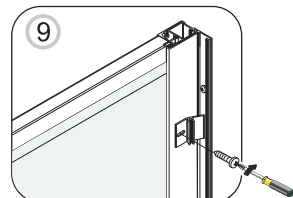
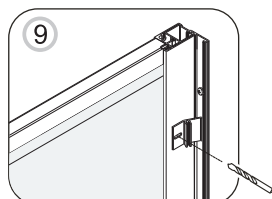
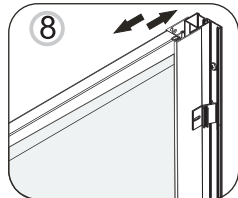
Note: remove the packaging seal before fitting main seal.

7

INSIDE

4X30

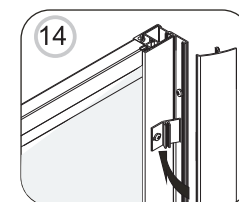
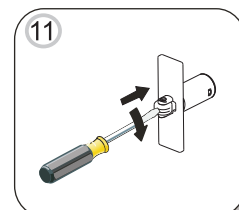
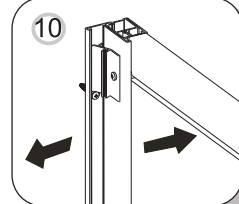
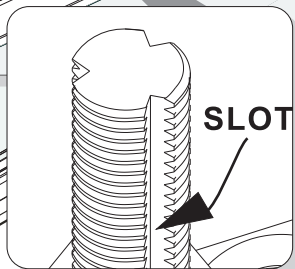
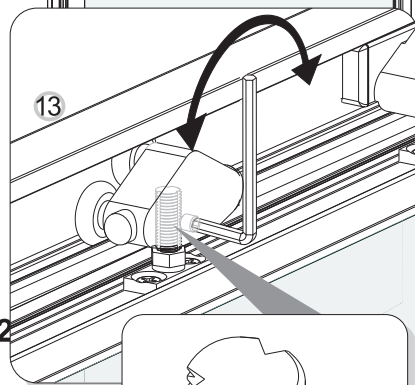
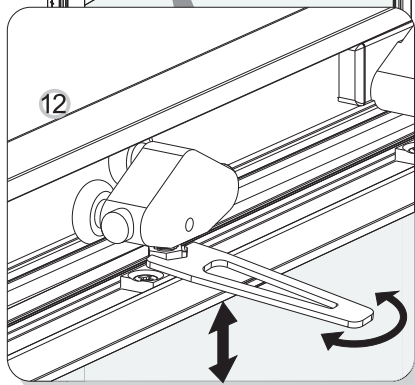
FIXING FRAME TO WALL PROFILES

**Step 8**

Drill 5 equally spaced holes with 3mm drill bit **8S1301152** through the nylon clip **8SSJ037**, wall profile and frame.

Step 9

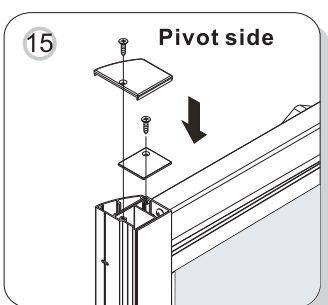
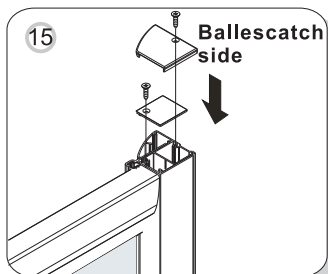
Fix the frame with screws **8S410047**. The door spacers can now be removed.

**Step 10**

The door panel when closing should meet the top and bottom ball catches at the same time. If not, loosen the screw fixing the wall profile to the wall and adjust the top or bottom of each wall profile in or out until the door closes evenly. Tighten the wall fixing screw.

Step 11

The ball catch can be adjusted in and out to ensure the door panel closes smoothly. Do not adjust out the ball catch too much.

**Step 12**

To ensure the rolling action is smooth, first loosen the hex screw in the roller housing with hex key **8S1300511** and use a 10 mm wrench to adjust. Only adjust the pivot arm housing if required.

Step 13

Re-tighten the hex screw with hex key **8S1300511**.

NOTE: Ensure hex key inserts into the slot in housing screw.

NOTE: Ensure the top/bottom chrome deflector strip never touches the top/bottom profile when opening or closing after the adjustment above has been completed.

Step 14

Attach the wall profile trim strip **8SAL0002**.

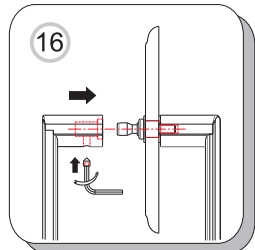
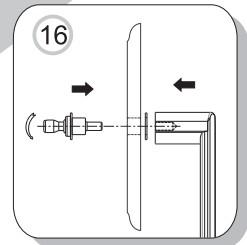
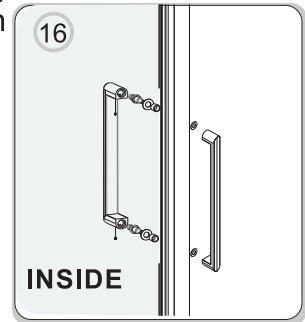
Step 15

Fix the infold upright cover caps **8SSJ0771L/R** on the balles catch upright profile and on the pivot side upright profile.

FITTING COVER CAPS AND HANDLE, SEALING

Step 16

Assemble handle onto moving panel **A**. Insert the brass screws **8SCU0323B** through the glass from the inside and screw into the outer handle **8SCU0321** (without grub screws). **Do not over tighten**. Ensure all washers are present on both sides of the glass. Then attach the inside handle **8SCU0322BL** (with grub screws facing down) onto the brass screw. Tighten grub screws to fix the handle with the hex key **8S1300511**.



Step 17

Use a quality silicone sealant to seal the finished door.

Sealing Inside

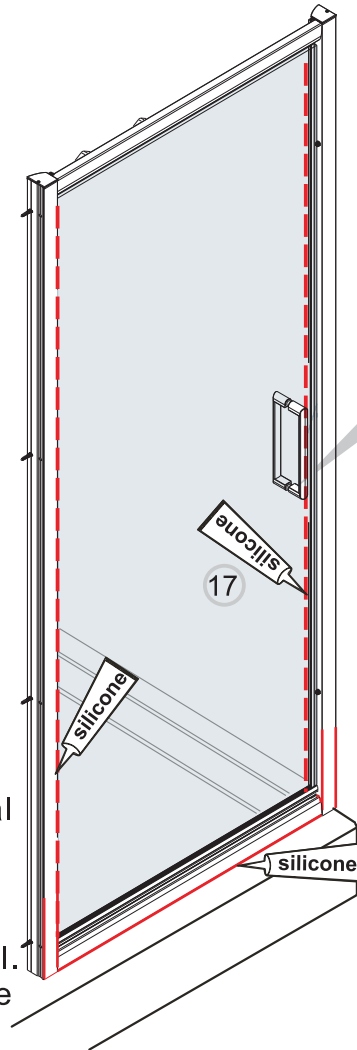
Seal top to bottom on the **INSIDE** between the wall profile and the wall.

Note: Do not apply sealant on inside on tray.

Sealing Outside

Seal only along bottom rail on the **OUTSIDE** between profile and the tray and approx 50mm up between the wall profile and the wall.

Seal also where bottom profile and upright profile join and also where wall profiles and frame profile overlap 50mm up.



DO NOT USE THE ENCLOSURE FOR 24 HOURS AFTER SEALING

SERIES 8 INFOLD DOOR

WE ARE SURE YOU WILL BE PLEASED WITH YOUR NEW MERLYN SHOWER DOOR.

Where a shower door has been installed contrary to these instructions, Merlyn cannot accept responsibility for any loss or damage, however caused, and any on-site service may incur a charge.

www.merlynbathrooms.com

FAILURE TO FOLLOW THE INSTRUCTIONS CORRECTLY MAY INVALIDATE YOUR GUARANTEE

Trouble Shooting Guide

Infold Door



- ① Do the finished measurements on the tray comply with the adjustments listed in the product specifications book?
- ② Is the tray level and secured? (See page 3)
- ③ Are the wall profiles stepped in the recommended 20mm? (See step 1)
- ④ Are the wall profiles plumb, checked with a plumbing line/spirit level? (See step 1)
- ⑤ Is any part of the enclosure overhanging the outer edge of the shower tray? (See step 1)
- ⑥ Is the door closing evenly on the ball catches? (See step 11)
- ⑦ Is the bottom deflector strip seal at the bottom of the door intact? (See page 1, item no.11)
- ⑧ Is the unit correctly sealed with silicone? (See step 17)
- ⑨ Check to ensure the door frame is 100% square.
- ⑩ If poor rolling action, loosen hex screw and adjust nut. (See step 12 & 13)