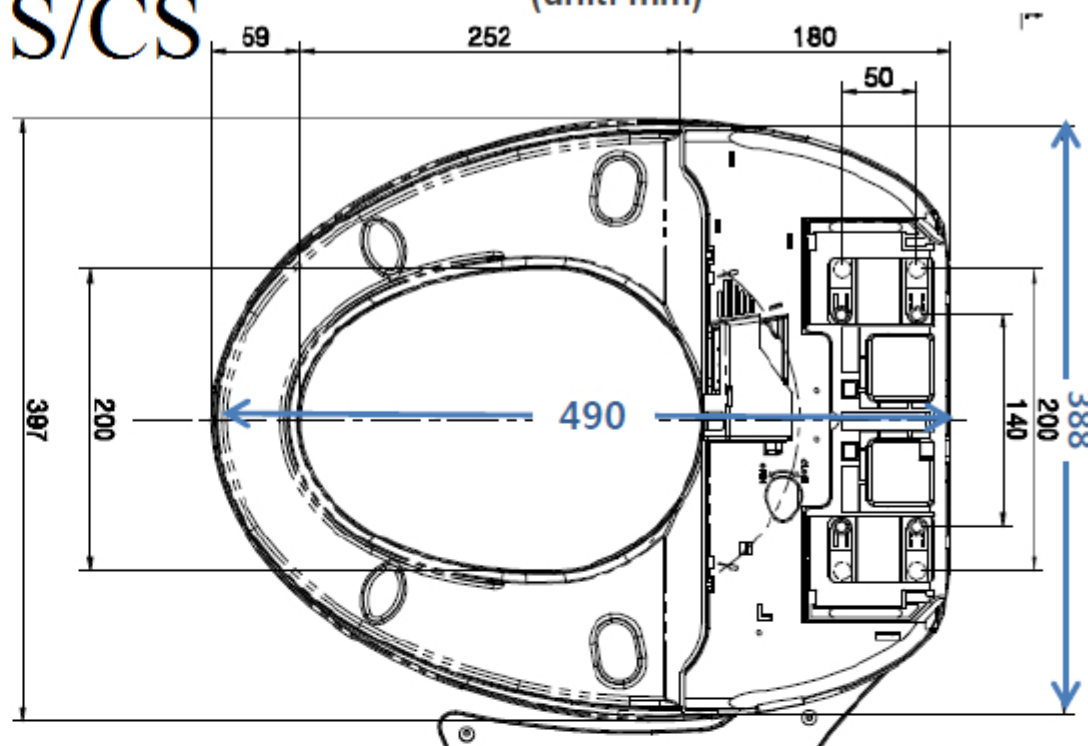
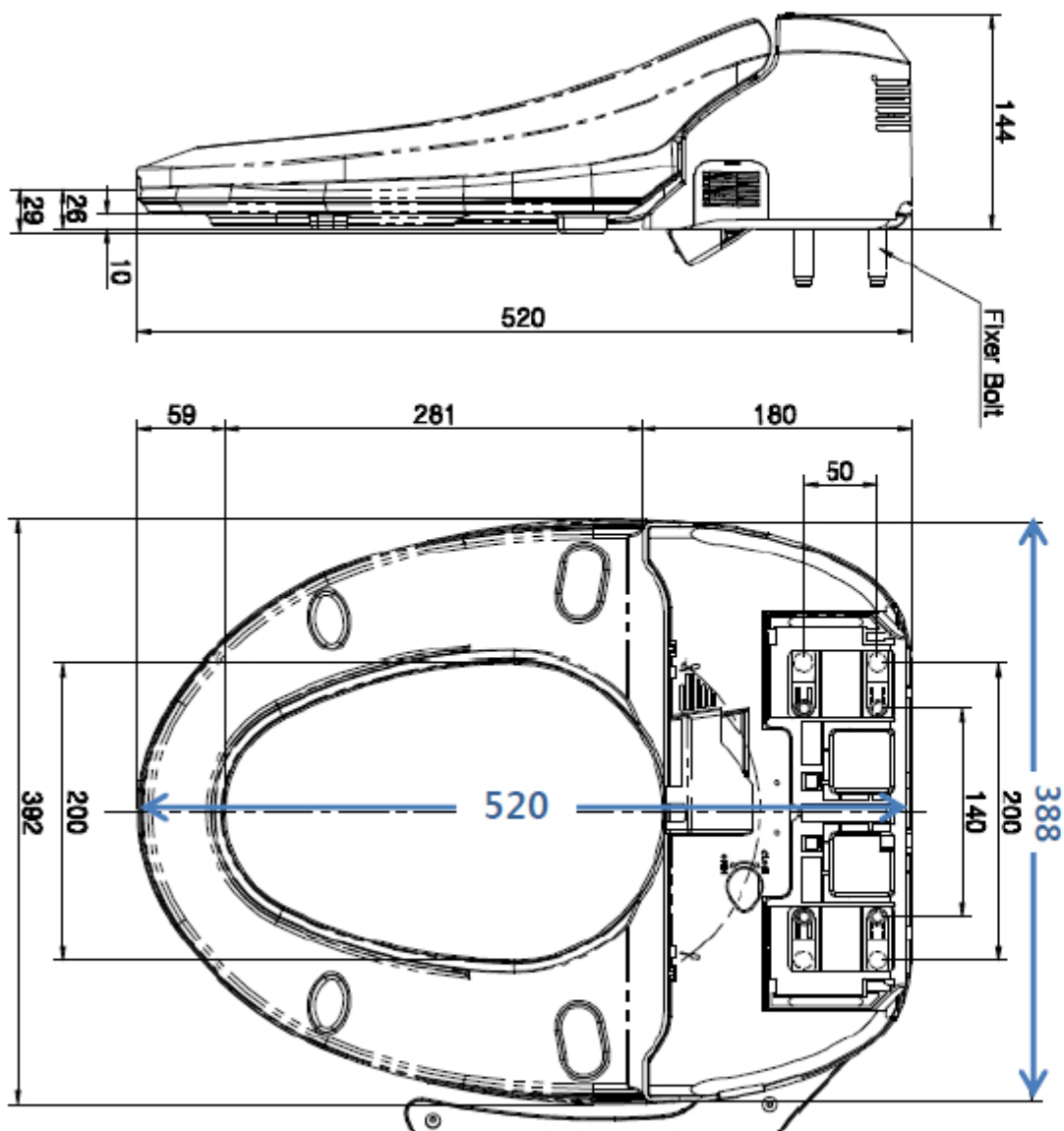


RS/WS/CS

(unit: mm)

RL/WL/CL



RU

