

Original instructions

DEXTER
POWER

PLD3112B






ELECTRIC SPRAY GUN



ADEO Services, 135 Rue Sadi Carnot - CS 00001, 59790 RONCHIN - France

Made in P.R.C. 2020

Symbol Explanation

	WARNING - To reduce the risk of injury, user must read instruction manual
	The product complies with the applicable European Directives and an evaluation method of conformity.
	Safety Class II
	Do not dispose of electrical equipment in the Domestic waste.
	This product is recyclable. If it cannot be used anymore, please take it to waste recycling centre.



WARNING! Read all safety warnings and all Instructions .

GENERAL POWER TOOL SAFETY WARNINGS



WARNING Read all safety warnings and all instructions. *Failure to follow the warnings and instructions may result in electric shock, fire and/or serious injury.*

Save all warnings and instructions for future reference.

The term "power tool" in the warnings refers to your mains-operated (corded) power tool or battery-operated (cordless) power tool.

1) Work area safety

- a) **Keep work area clean and well lit.** *Cluttered or dark areas invite accidents.*
- b) **Do not operate power tools in explosive atmospheres, such as in the presence of flammable liquids, gases or dust.** *Power tools create sparks which may ignite the dust or fumes.*
- c) **Keep children and bystanders away while operating a power tool.** *Distractions can cause you to lose control.*

2) Electrical safety

- a) **Power tool plugs must match the outlet. Never modify the plug in any way. Do not use any adapter plugs with earthed (grounded) power tools.** *Unmodified plugs and matching outlets will reduce risk of electric shock.*
- b) **Avoid body contact with earthed or grounded surfaces, such as pipes, radiators, ranges and refrigerators.** *There is an increased risk of electric shock if your body is earthed or grounded.*

- c) **Do not expose power tools to rain or wet conditions.** *Water entering a power tool will increase the risk of electric shock.*
- d) **Do not abuse the cord. Never use the cord for carrying, pulling or unplugging the power tool. Keep cord away from heat, oil, sharp edges or moving parts.** *Damaged or entangled cords increase the risk of electric shock.*
- e) **When operating a power tool outdoors, use an extension cord suitable for outdoor use.** *Use of a cord suitable for outdoor use reduces the risk of electric shock.*
- f) **If operating a power tool in a damp location is unavoidable, use a residual current device (RCD) protected supply.** *Use of an RCD reduces the risk of electric shock.*

3) Personal safety

- a) **Stay alert, watch what you are doing and use common sense when operating a power tool. Do not use a power tool while you are tired or under the influence of drugs, alcohol or medication.** *A moment of inattention while operating power tools may result in serious personal injury.*
- b) **Use personal protective equipment. Always wear eye protection.** *Protective equipment such as dust mask, non-skid safety shoes, hard hat, or hearing protection used for appropriate conditions will reduce personal injuries.*
- c) **Prevent unintentional starting. Ensure the switch is in the off-position before connecting to power source and/or battery pack, picking up or carrying the tool.** *Carrying power tools with your finger on the switch or energising power tools that have the switch on invites accidents.*
- d) **Remove any adjusting key or wrench before turning the power tool on.** *A wrench or a key left attached to a rotating part of the power tool may result in personal injury.*
- e) **Do not overreach. Keep proper footing and balance at all times.** *This enables better control of the power tool in unexpected situations.*
- f) **Dress properly. Do not wear loose clothing or jewellery. Keep your hair, clothing and gloves away from moving parts.** *Loose clothes, jewellery*

or long hair can be caught in moving parts.

g) If devices are provided for the connection of dust extraction and collection facilities, ensure these are connected and properly used. Use of dust collection can reduce dust-related hazards.

4) Power tool use and care

a) Do not force the power tool. Use the correct power tool for your application. The correct power tool will do the job better and safer at the rate for which it was designed.

b) Do not use the power tool if the switch does not turn it on and off. Any power tool that cannot be controlled with the switch is dangerous and must be repaired.

c) Disconnect the plug from the power source and/or the battery pack from the power tool before making any adjustments, changing accessories, or storing power tools. Such preventive safety measures reduce the risk of starting the power tool accidentally.

d) Store idle power tools out of the reach of children and do not allow persons unfamiliar with the power tool or these instructions to operate the power tool. Power tools are dangerous in the hands of untrained users.

e) Maintain power tools. Check for misalignment or binding of moving parts, breakage of parts and any other condition that may affect the power tool's operation. If damaged, have the power tool repaired before use. Many accidents are caused by poorly maintained power tools.

f) Keep cutting tools sharp and clean. Properly maintained cutting tools with sharp cutting edges are less likely to bind and are easier to control.

g) Use the power tool, accessories and tool bits etc. in accordance with these instructions, taking into account the working conditions and the work to be performed. Use of the power tool for operations different from those intended could result in a hazardous situation.

5) Service

- a) **Have your power tool serviced by a qualified repair person using only identical replacement parts.** *This will ensure that the safety of the power tool is maintained.*
- 6) **Addition Safety for Spray Gun**
- a) **Do not use guns for spraying flammable materials.**
- b) **Beware of any hazard presented by the material being sprayed and consult the markings on the container or the information supplied by the manufacture.**
- c) **Do not spray any material where the hazard is not known.**
- d) **Always wear a dust mask while spraying.**
- e) **Recommend to wear ear protection during the operation.**
- f) **Do not clean guns with flammable solvents.**
- g) **Warning! Remove the plug from the socket before carrying out any adjustment, servicing or maintenance.**
- h) **If the supply cord of this power tool is damaged, it must be replaced by a specially prepared cord available through the service organization.**
- i) **If the carbon brushes need to be replaced, have this done by a qualified repair person (always replace the two brushed at the same time).**



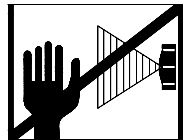
Safety instructions for PLD3112B

- 1) Please read the operating instructions thoroughly and observe the safety instructions
- 2) Only coating materials such as paints, enamels, varnishes, etc, with a flash point of 21°C (32°C in the United Kingdom) and above may be sprayed, without additional warming. In Germany these are coating materials in the danger classes A II and AIII, see paint tin.
- 3) The device may not be used in work places which are covered by the explosion protection regulations.
- 4) When spraying, ensure that there are no sources of ignition, e.g. open fire, cigarettes, cigars, and pipes, sparks, glowing wires, hot surfaces, etc, in the

area.

5)Recommendation: wear breathing protection when spraying.

**6)Caution, danger of injury!
Never point the spray gun at yourself or other persons or animals.**



7)When working with the device PLD3112B inside and outside care must be taken that no solvent vapors are sucked into the device.

8)When outdoors observe wind direction. When working indoors ensure that there is sufficient ventilation.

9)Do not spray at the device.

10)The device only splash-proof when the air hose is correctly connected.

11)Do not let children play with the device. Keep out of reach of children.

12)Care must be taken that the mains cable is not damaged. If damage is observed take immediately to an authorized customer service centre to be changed.

13)Remove mains plug from socket when not in use.

14)Repairs to electrical parts should only be carried out at an authorized customer service center.

15)Do not use spray guns to spray flammable liquids.

16)Do not clean spray guns with flammable solvents.

17)Take precautionary measures against potential hazards from spray liquid and follow any instructions given on containers or laid down by the manufacturer of liquid.

18)Do not spray any liquids of unknown hazard potential.

19)Keep work area clean and will lit.

20)Do not operate power tools in explosive atmosphere, such as in the presence of flammable liquids, gases or dust.

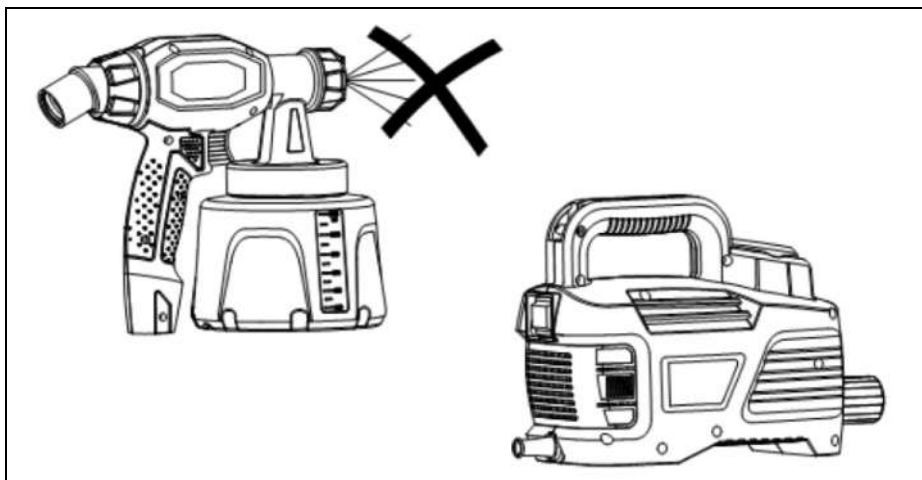
- 21)**Keep children and bystanders away while operating a power tool.
- 22)**Power tool plugs must match the outlet. Never modify the plug in any way. Do not use any adapter plugs with earthed (grounded) power tools.
- 23)**Avoid body contact with earthed or grounded surfaces such as pipes, radiators, ranges and refrigerators.
- 24)**Do not expose power tools to rain or wet conditions.
- 25)**Do not abuse the cord. Never use the cord for carrying, pulling or unpulling the power tool. Keep cord away from heat, oil, sharp edges or moving parts.
- 26)**When operating a power tool outdoors, use an extension cord suitable for outdoor use.
- 27)**Stay alert, watch what you are doing and use common sense when operating a power tool. Do not use a power tool while you are tired or under the influence of drugs, alcohol or medication.
- 28)**Use safety equipment. Always wear eye protection.
- 29)**Avoid accidental starting. Ensure the switch is in the off position before plugging in.
- 30)**Remove any adjusting key or wrench before turning the power tool on.
- 31)**Do not overreach. Keep proper footing and balance at all times.
- 32)**Dress properly. Do not wear loose clothing or jewellery. Keep your hair, clothing and gloves away from moving parts.
- 33)**If devices are provided for the connection of dust extraction and collection facilities, ensure these are connected and properly used.
- 34)**Do not force the power tool. Use the correct power tool for your application.
- 35)**Do not use the power tool if the switch does not turn in on and off.
- 36)**Disconnect the plug from the power source before making any adjustment, changing accessories, or storing power tools.
- 37)**Store idle power tools out of the reach of children and do not allow persons unfamiliar with the power tool or these instructions to operate the power tool.
- 38)**Maintain power tools. Check for misalignment or binding of moving parts, breakage of parts and any other condition that may affect the power tools

operation. If damaged, have the power tool repaired before use.

39) Use the power tool, accessories and tool bits etc, in accordance with these instructions and in the manner intended for the particular type of power tool, taking into account the working conditions and the work to be performed

40) Have your power tool serviced by a qualified repair person using only identical replacement parts.

41) When spraying normally, the motor should not be under the head of the gun and the container.



42) Forbidden to spray to the hatch of the motor and etc.


Technical data PLD3112B

Max. viscosity:

60DIN-s

Voltage:

220-240VAC 50Hz

Power consumption:	600W
IP Class:	IP 23
Max. back air pressure:	0.1-0.3bar
Double insulation:	
Mains cable:	1.8m
Sound pressure level:	80.9 dB(A) (uncertainty K=3dB(A))
Sound power level:	91.9 dB(A) (uncertainty K=3dB(A))
Oscillation level:	<0.25m/s² (uncertainty K=1.5 m/s ²)
Air hose length:	1.8m
Container capacity:	900ml
Nozzle size:	∅2.5mm
Weight:	2.5kg

Explanation of the system

The device works according to low pressure spraying technique. A high volume of air surrounds the spray jet being ejected under low pressure. The air cap provides a very fine atomization with the lowest of spray mist .The coating material is applied to the object quickly and exactly.

Moreover, the air flow shortens the drying time for the coating material. This gives perfect spraying result with a respective saving of coating material and is therefore good for the environment.

Function description

The motor blower produces a flow of air which flows through the air hose to the spray gun. The air flow atomizes the coating material at the nozzle and also pressurizes the container. This pressure pushes the coating material up the ascending pipe to the nozzle. The air and pressure setting can be adjusted progressively.

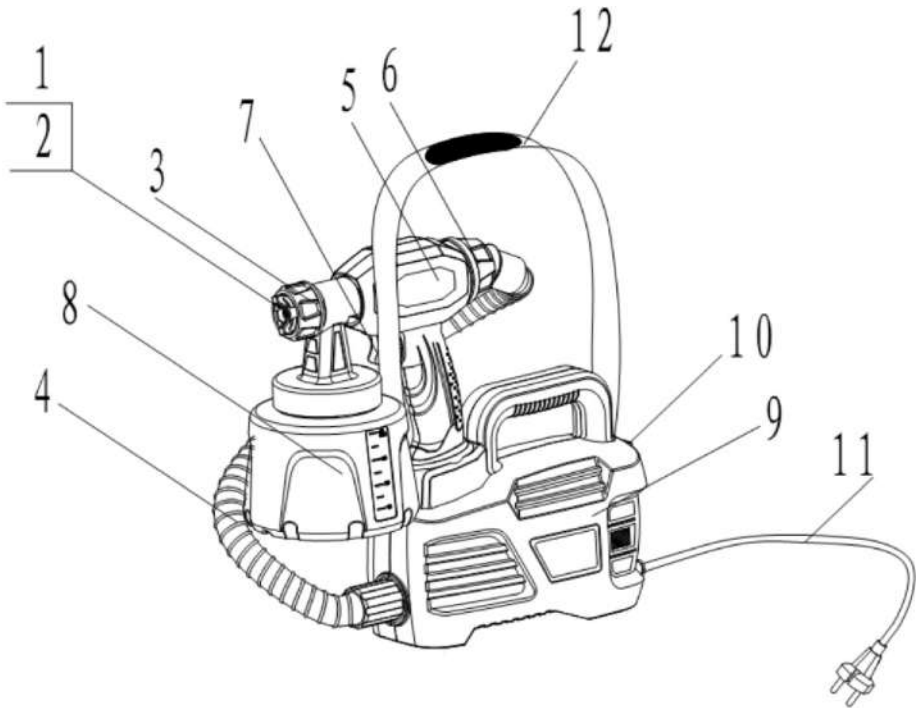
Coating Material Suitable for Use

Water- and solvent-based paints, emulsion paint, finishes, primers, 2-component paints, Clear finishes, automotive finishes, staining sealers and wood sealer-preservatives.

Coating Material Not Suitable for Use

Materials that contain highly abrasive components, facade paint, sealant, caustic solutions and acidic coating substances.

Coating material with a flash point below 21°C.



Exploratory diagram PLD3112B

1 Air cap

2 nozzle

- | | |
|-----------------------------|------------------|
| 3 Union nut | 8 Container |
| 4 Air hose | 9 Motor blower |
| 5 Spray gun | 10 ON/OFF switch |
| 6 Material adjustment screw | 11 Mains cable |
| 7 Trigger | 12 Strap |

Preparation of the coating material

Information regarding a sprayable dilution is normally not to be found on the material tin.

Therefore, use the viscosity table viscosity =thickness of the coating material

Measuring the viscosity

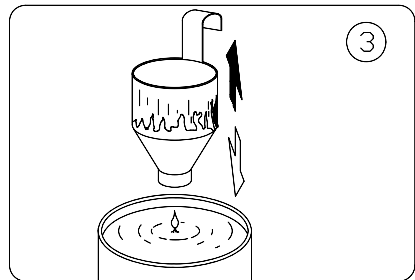
using the viscosity

measuring cup

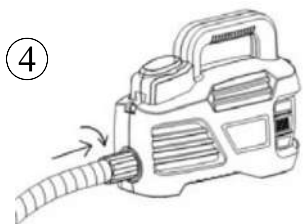
1. Thoroughly stir the coating material before starting measurement.
2. Immerse the viscosity measuring cup (contents 100cm³) completely in the coating material below rim level and allow to fill.
3. Lift the viscosity measuring cup and measure the time in seconds until the flow of coating material stops.

This run-out time is called DIN seconds (DIN-s).

Viscosity table see next page



Viscosity table	
Coating material	Viscosity DIN-s
Solvent containing gloss paints -----	15-50
Primers -----	25-50
Mordants-----	undiluted
2 component paints-----	20-50
Clear varnishes-----	15-40
Water-dilutable gloss paints-----	20-40
Motor-vehicle enamels -----	20-40
Wood preservatives -----	undiluted



1. Attach air hose .

Device end (fig.4)

Place air hose end with pin in guide.

Secure by turning.

Spray gun end (fig.5)

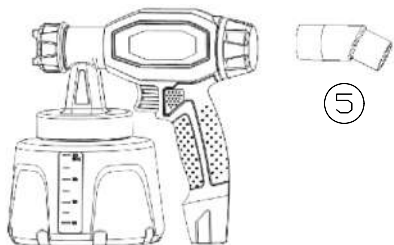
Place the air hose firmly into the connection on the spray gun.

Starting up

Any position can be chosen for connection.

2. Unscrew the container from the spray gun .
3. Adjust the ascending pipe accordingly.

It should be possible to spray the contents of the container leaving hardly any material left in the container



Spraying with horizontal objects (fig.7)

Turn ascending pipe A forwards.



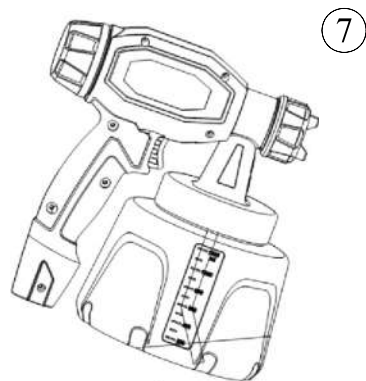
Spraying overhead objects (fig.6)

Turn ascending pipe A to point backwards.

4. Fill container with coating material.

Screw firmly onto spray gun.

5. Place the spray gun in the spray gun holder.
6. Only place the device on an even and clean surfaces. Device could suck to dust ,etc.
7. Before connecting to the mains ensure that the mains voltage corresponds with the details on the rating plate.
8. Remove the spray gun from the spray gun holder and point at object to be sprayed. Turn on using.

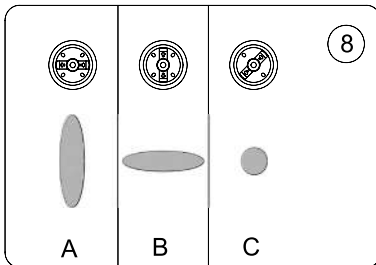
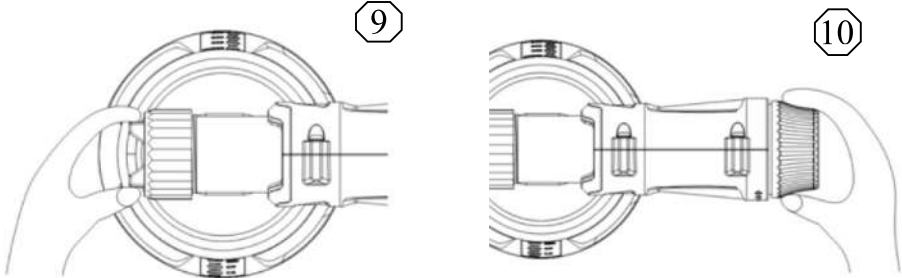


9. ON/OFF switch on the device.

10. Adjust the spraying pattern and amount of material; set the amount of air and pressure, see fig.8,9,10 and the description page 14.
11. Open trigger on the spray gun.

Note:

When the device is switch on the air will flow continually from the air cap



Adjusting the spray gun

Choice of spraying effects

A =vertical flat jet

for horizontal surfaces

B =horizontal jet

for vertical surfaces.

C =round jet

for corners and edges and other badly accessible places

Adjusting the required spray effect

With the union nut (3) loosed, turn air cap (1) to the required spray pattern.

Caution:

Never open trigger when making adjustments on the air cap.

Adjusting the amount of material

Adjust the amount of material by turning the adjustment screw.

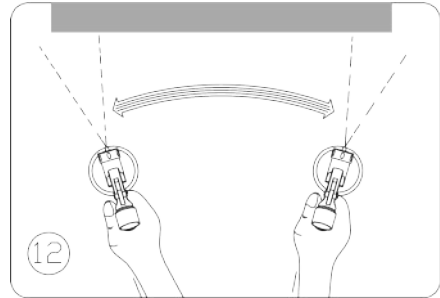
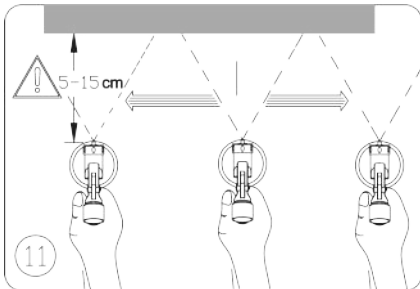
+turn to the right –more material

-turn to the left –less material

Spraying technique

The spraying result depends considerably on how smooth and clean the surface is before spraying begins. For this reason the surface should be carefully prepared and kept free of dust. Surfaces not to be sprayed should be covered with sticky tape and newspaper. Cover threads and the like on the object to be sprayed.

It is advisable to carry out a trial spraying onto cardboard or a similar surface to find the most suitable spray gun adjustments.



Important: start spraying outside the surface to be sprayed and avoid stopping on the surface.

Right (fig.11)

Always hold the spray gun at an even distance of approx. 5-15cm from the object to be sprayed. Move the spray gun evenly across or up and down, depending on the adjusted spraying effect. An even movement of the spray gun will give a uniform surface quality

Wrong (fig.12)

**Excessive paint mist formation
uneven surface finish**

If coating material builds up on the nozzle (2) and air cap (1) clean both parts with solvent or water.

Breaks in work

- Turn off device.
- Place spray gun in spray gun holder.

Closing down and cleaning

1. Turn off device. Open trigger so that the coating material in spray gun runs back into the container.
2. Unscrew the container. Return remaining coating material into the material can.
3. Clean the container and ascending pipe with a brush.
4. Fill the container with solvent or water.
Screw container back in place.

Only use solvent with a flash point of over 21 °C

Turn on device and spray the solvent or water into a container.

If a tube is not used, some solvent or water will be deposited outside the container.

This is due to the high air volume.

5. Repeat the above procedure until clear solvent or water comes out of the nozzle.
6. Turn off device.
7. Then completely empty the container. Always keep the container seal free of coating material and check for damage.
8. Clean the outside of the spray gun and container with a cloth soaked in solvent or water.
9. Unscrew the union nut. Remove air cap .Clean the air cap and nozzle with brush and solvent or water .

Note:

Never clean the nozzle or air hole of the spray gun with sharp metallic objects.

power tools with type X attachment, where a specially prepared cord is needed to replace the cord: if the supply cord of this power tool is damaged, it must be replaced by a specially prepared cord available through the service organization.

Troubleshooting		
Problem	Cause	Remedy
No coating material is coming out of the nozzle	The nozzle is blocked.	Clean
	The ascending pipe is blocked.	Clean
	The small hole in the ascending pipe is blocked.	Clean
	Material adjustment screw turned too far to the left (-).	Turn to the right (+)
	The ascending pipe is loose.	Tighten the pipe
	No pressure is built up in the container.	Tighten container
The coating material drips from the nozzle	The nozzle is loose.	Tighten
	The nozzle is worn.	Change
	Build up of coating material in the air cap and nozzle.	Clean
Spray too coarse	Coating material has a too high viscosity	Dilute
	Too much material.	Turn material adjustment screw to the left (-)
	Material adjustment screw turned too far to the right(+).	Turn to the left (-)
	Nozzle dirty.	Clean
	Air filter very dirty.	Change
	Not enough pressure built up in container.	Tighten container
The spray jet pulses	Coating material in container is running out.	Refill
	The small hole in the ascending pipe is blocked	Clean
	Air filter very dirty.	Change
Run in the coating material	Too much coating material applied	Turn the material adjustment screw to the left (-)
Too much coating material mist (overspray)	The distance to the object to be sprayed is too large.	Reduce spraying distance
	Too much coating material applied	Turn material adjustment screw to the left (-)

EC DECLARATION OF CONFORMITY (GB)

We declare under our sole responsibility that this PLD3112B 600W ELECTRIC SPRAY GUN is in conformity with the following standard or standardized documents.

Batch No: **208994070420**

Machinery Directive 2006/42/EC

Electromagnetic Compatibility Directive 2014/30/EU

ROHS Directive(EU)2015/863 amending Directive 2011/65/EU

and conforms with the norms

EN 60745-1:2009/A11:2010

EN 50580:2012/A1:2013

EN 55014-1:2017

EN55014-2:2015

EN61000-3-2:2014

EN61000-3-3:2013

EN IEC 61000-3-2:2019

EN 61000-3-3:2013/A1:2019

IEC 62321-3-1:2013

IEC 62321-4:2013

IEC 62321-5:2013

IEC 62321-6:2015

IEC 62321-7-1:2015

IEC 62321-7-2:2017

IEC 62321-8:2017

Last two number of the year CE marking applied:**20**

Signed in Shanghai 10/01/2020



Richie PERMAL

Supplier Quality Leader

Authorized representative of Julien Ledin, ADEO Quality Leader

ADEO Services 135 Rue Sadi Carnot - CS 00001 59790RONCHIN – France

WARRANTY

1. Dexter Power are products are designed to highest DIY quality standards, Dexter Power provides a 24-months warranty for its products, from the date of purchase. This warranty applies to all material and manufacturing defects which may arise. No further claims are possible, of whatever nature, direct or indirect, relating to people and /or materials. Dexter Power products are not directed to professional use.
2. In the event of a problem or defect, you should first always consult your Dexter Power dealer. In most cases, the Dexter Power dealer will be able to solve the problem or correct the defect.
3. Repairs or the replacement of parts will not extend the original warranty period.
4. Defects which have arisen as a result of importer use or wear are not covered by the warranty. Amongst other things, this relates to switches, protective circuit switches and motors, in the event of wear.
5. You claim upon the warranty can only be processed if:
 - . Proof of the purchase date can be provided in the form of a receipt.
 - . No repairs and/or replacements have been carried out by third parties.
 - . The tool has not been subjected to importer use(overloading of machine or fitting non-approved accessories).
 - . There is no damage caused by external influences or foreign bodies such as sand or stones.
 - . There is no damage caused by non-observance of the safety instructions and the instructions for use.
 - . There is no force majeure on our part.
 - . A description of the complaint is enclosed.
6. The warranty stipulations apply in combination with our terms of sale and delivery.
7. Fault tools to be returned to Dexter Power via Dexter Power dealer will be collected by Dexter Power as long as the product is properly packaged. If faulty goods are sent directly to Dexter Power by consumer, Dexter Power will only be able to process these goods if the consumer pays the shipping costs.
8. Products which are delivered in a poorly packaged condition will not be accepted by Dexter Power.



Краскопульт
электрический
HVLP 600 Вт
1000мл/мин
PLD3112B

RU Руководство По Технике
Безопасности и
Правовым нормам



Наименование: Чжэцзян Прулд Электрик Эпплайэнс Ко., Лтд.
Адрес: Индастри Девелопмент Зоун, Сяошунь Таун, Цзиньхуа Сити, Чжэцзян, Китай

Сделано в Китае : 03/2020

Копию сертификата соответствия или декларации о соответствии на данный товар можно получить на информационной стойке любого из магазинов Леруа Мерлен Восток.
Лицо уполномоченное принимать претензии по качеству товара: 000 "ЛЕРУА МЕРЛЕН ВОСТОК", 141031, МО, г. Мытищи, Осташковское шоссе, д.1, РФ

Срок службы (г) : Срок службы 5 лет







дата публикации инструкции: 01/2020

Traduction de la version originale du mode d'emploi / Traducción de las Instrucciones originales / Tradução das Instruções Originais / Traduzione delle istruzioni originali / Μετάφραση των πρωτότυπων οδηγιών / tłumaczenie instrukcji oryginalnej / Перевод оригинала инструкции / Переклад оригінальної інструкції / Traducerea instructiunilor originale / Original Instructions

EAC



Значение символов

	ПРЕДУПРЕЖДЕНИЕ. Прочитайте руководство по эксплуатации, чтобы уменьшить риск травмирования.
	Продукт соответствует действующим европейским директивам и был оценен в соответствии с ними.
	Класс безопасности II
	Не утилизируйте электрическое оборудование вместе с бытовыми отходами.
	Единый знак обращения продукции на рынке государств- членов Таможенного союза
	Этот продукт может перерабатываться. Если он больше не пригоден для пользования, сдайте его в утилизационный центр.

**ПРЕДУПРЕЖДЕНИЕ!****Прочитайте****все**

предупреждения по технике безопасности и все инструкции.

ОБЩИЕ ПРЕДУПРЕЖДЕНИЯ ПО БЕЗОПАСНОСТИ ПРИ РАБОТЕ С ЭЛЕКТРОИНСТРУМЕНТАМИ



ПРЕДУПРЕЖДЕНИЕ. Внимательно прочитайте все правила безопасности и инструкции. *Несоблюдение этих предупреждений и инструкций может привести к поражению электрическим током, пожару и/или тяжелым травмам.*

Сохраните все предупреждения и инструкции для использования в будущем.

Термин «электроинструмент» в предупреждениях означает электрический инструмент с питанием от сети (с кабелем) или электрический инструмент с питанием от батареи (без кабеля).

1) Безопасность рабочего места

- a) Обеспечьте чистоту и освещенность рабочей зоны. Загроможденные и плохо освещенные места служат причиной несчастных случаев.*
- b) Не используйте электроинструменты во взрывоопасных местах, например вблизи горючих жидкостей, газов или пыли. Электроинструменты генерируют искры, которые могут воспламенить пыль или испарения.*
- c) Не позволяйте детям и другим людям находиться вблизи работающего электроинструмента. Отвлекающие факторы могут привести к потере контроля над инструментом.*

2) Электротехническая безопасность

- a) Вилка электроинструмента должна соответствовать розетке. Никогда не переделывайте вилку. Не используйте никакие переходники для вилок с заземлением. Использование оригинальных вилок и соответствующих им розеток уменьшает риск поражения электрическим током.*
- b) Избегайте прикосновений к заземленным объектам, таким как трубы, радиаторы, плиты и холодильники. Существует повышенная опасность*

поражения электрическим током, если ваше тело заземлено.

с) Не подвергайте электроинструменты воздействию дождя или влаги. При попадании воды в электроинструмент увеличивается риск поражения электрическим током.

d) Обращайтесь с кабелем аккуратно. Никогда не переносите, не тяните и не выключайте электроинструмент за кабель. Не оставляйте кабель вблизи источников тепла, масла, острых предметов или движущихся частей. Поврежденные или запутанные кабели повышают опасность поражения электрическим током.

e) Для работы с электроинструментом вне помещения используйте предназначенный для этого удлинительный кабель. Использование кабеля, подходящего для использования вне помещения, снижает риск поражения электрическим током.

f) Если использование электроинструмента в сыром месте неизбежно, подключайте его через устройство защитного отключения (УЗО). Использование УЗО уменьшает риск поражения электрическим током.

3) Личная безопасность

a) Будьте бдительны, следите за тем, что делаете, и следуйте здравому смыслу при использовании электроинструмента. Не пользуйтесь электроинструментом, если вы устали или находитесь под воздействием наркотиков, алкоголя или медикаментов. Даже кратковременная невнимательность при работе с электроинструментом может привести к тяжелым травмам.

b) Используйте средства индивидуальной защиты. Всегда надевайте защитные средства для глаз. Использование защитных средств, таких как противопылевая маска, нескользкая предохранительная обувь, жесткая каска или средства защиты органов слуха в соответствующих условиях уменьшает риск травмирования.

с) Не допускайте непредвиденных запусков. Перед подключением электроинструмента к сети питания (или аккумулятору) и перед его переноской убедитесь, что выключатель находится в выключенном положении. Не держите палец на выключателе при переноске электроинструментов и не включайте вилку в розетку, если электроинструмент включен. Это может привести к несчастному случаю.

d) Перед включением электроинструмента снимите с него регулировочные инструменты и гаечные ключи. Гаечный ключ, оставленный на подвижной

детали электроинструмента, может вызвать травмы.

e) Не тянитесь. Во время работы всегда сохраняйте устойчивое положение. Это позволит лучше контролировать электроинструмент в непредвиденных ситуациях.

f) Одевайтесь надлежащим образом. Не надевайте свободную одежду и украшения. Держите волосы, одежду и перчатки подальше от движущихся частей. Свободная одежда, украшения и длинные волосы могут попасть в движущиеся части.

g) При наличии пылеулавливающих устройств убедитесь в том, что они подключены и правильно работают. Использование пылеулавливающих устройств снижает вред, причиняемый пылью.

4) Использование и обслуживание электроинструмента

a) Не прилагайте к электроинструменту чрезмерных усилий. Используйте подходящий для ваших задач электроинструмент. Правильно выбранный электроинструмент безопасен и лучше работает при номинальной мощности.

b) Не используйте электроинструмент, если его выключатель неисправен. Электроинструменты с неисправным выключателем опасны и подлежат ремонту.

c) Перед регулировкой, сменой аксессуаров или хранением отключите электроинструмент от сети питания и/или аккумуляторов. Такие меры предосторожности уменьшают риск случайного запуска электроинструмента.

d) Храните неиспользуемые электроинструменты в местах, недоступных для детей, и не доверяйте электроинструмент лицам, не знакомым с ним и с этими инструкциями. Электроинструменты опасны в руках неподготовленных пользователей.

e) Выполняйте техническое обслуживание электроинструментов. Проверьте выравнивание и сцепление подвижных деталей, наличие поломок и прочие условия, которые могут повлиять на работу электроинструмента. В случае повреждения инструмента отремонтируйте его перед использованием. Многие несчастные случаи вызваны неправильным техобслуживанием электроинструментов.

f) Храните режущие инструменты в чистоте и заточенном состоянии. Правильно обслуживаемые и хорошо заточенные режущие инструменты меньше заклинивают и лучше контролируются.

g) Используйте электроинструмент, аксессуары, насадки и т. п. в соответствии с этими инструкциями, учитывая условия и специфику выполняемой работы. Использование электроинструмента для выполнения непредусмотренных операций может привести к опасным ситуациям.

5) Обслуживание

a) Ремонт электроинструмента должен производиться квалифицированным специалистом с использованием только идентичных запасных частей. Это обеспечит безопасную работу электроинструмента.

b) Дополнительные правила техники безопасности при обращении с распылителем.

a) Не используйте устройство для распыления легковоспламеняющихся материалов.

b) Будьте осторожны при работе с распыляемыми материалами и ознакомьтесь с маркировками на контейнере или получите необходимую информацию у производителя.

c) Не работайте с материалами, риски использования которых неизвестны.

d) Всегда надевайте респиратор во время распыления.

e) Во время работы с устройством рекомендуется использовать средства защиты глаз.

f) Не очищайте устройство при помощи легковоспламеняющихся растворителей.

g) Предупреждение! Всегда извлекайте вилку из розетки перед регулировкой или обслуживанием.

h) Если кабель питания инструмента поврежден, обратитесь для его замены в сервисный центр.

i) Если необходимо заменить угольные щетки, это должен сделать квалифицированный специалист по ремонту (всегда заменяйте две щетки одновременно).



Инструкции по технике безопасности для модели PLD3112B

1) Внимательно прочитайте инструкции по технике безопасности и эксплуатации.

2) Только такие материалы покрытия, как краски, эмали, лаки и т. д. с температурой воспламенения от 21°C (от 32°C в Великобритании) и выше,

могут распыляться без дополнительного разогрева. В Германии такие материалы относятся к классам опасности АII и АIII, см. отметку на банке.

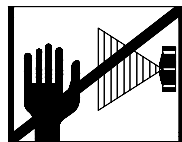
3) Не используйте устройство в рабочих местах, на которые распространяются правила взрывозащиты.

4) При распылении убедитесь, что в рабочей зоне нет источников воспламенения, например открытого огня, сигарет, сигар и трубок, искр, раскаленных проводов, горячих поверхностей и т. д.

5) Рекомендуется во время работы использовать респиратор.

6) Внимание: риск получения травм!

Никогда не направляйте пистолет-распылитель на себя, других людей и животных.



7) При работе с устройством PLD3112B внутри и вне помещения следите за тем, чтобы пары растворителя не всасывались в устройство.

8) При использовании на открытом воздухе следите за направлением ветра. При работе внутри помещения обеспечьте надлежащую вентиляцию.

9) Не распыляйте на устройство.

10) При правильно подключенном воздушном шланге устройство имеет только защиту от брызг.

11) Не позволяйте детям играть с устройством. Храните в недоступном для детей месте.

12) Аккуратно обращайтесь с кабелем питания, чтобы избежать его повреждений. При обнаружении повреждений немедленно отнесите устройство в авторизованный сервисный центр для замены.

13) Извлекайте кабель питания из розетки электросети, когда устройство не используется.

14) Ремонт электрических частей устройства может выполняться только в авторизованном сервисном центре.

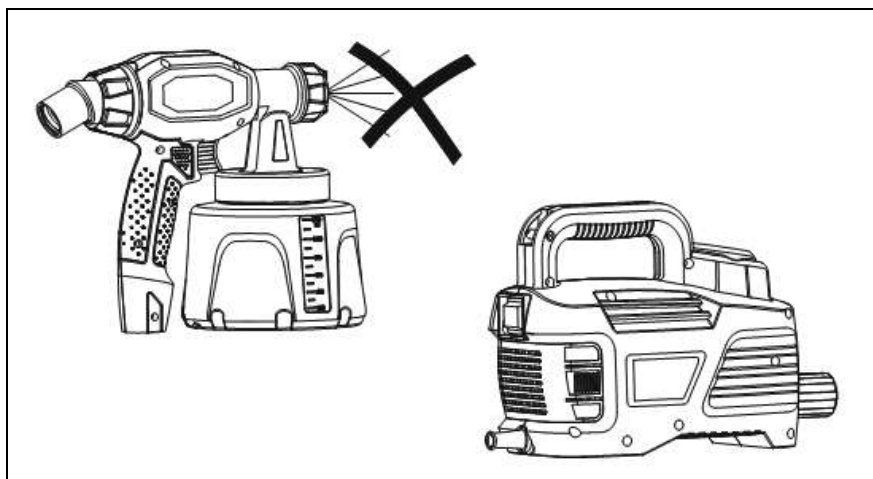
15) Не используйте устройство для распыления легковоспламеняющихся жидкостей.

16) Не очищайте устройство при помощи легковоспламеняющихся растворителей.

17) Примите меры предосторожности против возможных опасностей от


- распыляемой жидкости и следуйте инструкциям производителя жидкости.
- 18)** Не распыляйте жидкости, риски использования которых не определены.
 - 19)** Обеспечьте чистоту и освещенность рабочей зоны.
 - 20)** Не используйте электроинструменты во взрывоопасных местах, например вблизи горючих жидкостей, газов или пыли.
 - 21)** Не позволяйте детям и посторонним людям находиться вблизи работающего электроинструмента.
 - 22)** Вилка электроинструмента должна соответствовать розетке. Никогда не переделывайте вилку. Не используйте никакие переходники для вилок с заземлением.
 - 23)** Избегайте прикосновений к заземленным объектам, таким как трубы, радиаторы, плиты и холодильники.
 - 24)** Не подвергайте электроинструменты воздействию дождя или влаги.
 - 25)** Обращайтесь с кабелем аккуратно. Никогда не переносите, не тяните и не выключайте электроинструмент за кабель. Не оставляйте кабель вблизи источников тепла, масла, острых предметов или движущихся частей.
 - 26)** Для работы с электроинструментом вне помещения используйте предназначенный для этого удлинительный кабель.
 - 27)** Будьте бдительны, следите за тем, что делаете, и следуйте здравому смыслу при использовании электроинструмента. Не пользуйтесь электроинструментом, если вы устали или находитесь под воздействием наркотиков, алкоголя или медикаментов.
 - 28)** Используйте средства индивидуальной защиты. Всегда надевайте защитные средства для глаз.
 - 29)** Избегайте непредвиденных запусков. Перед включением вилки в розетку убедитесь, что выключатель находится в выключенном положении.
 - 30)** Перед включением электроинструмента снимите с него регулировочные инструменты и гаечные ключи.
 - 31)** Не тянитесь. Во время работы всегда сохраняйте устойчивое положение.
 - 32)** Одевайтесь надлежащим образом. Не надевайте свободную одежду и украшения. Держите волосы, одежду и перчатки подальше от движущихся частей.
 - 33)** При наличии пылеулавливающих устройств убедитесь в том, что они подключены и правильно работают.

- 34)** Не прилагайте к электроинструменту чрезмерных усилий. Используйте подходящий для ваших задач электроинструмент.
- 35)** Не используйте электроинструмент, если его выключатель неисправен.
- 36)** Перед регулировкой, сменой аксессуаров или хранением отключите электроинструмент от сети питания.
- 37)** Храните неиспользуемые электроинструменты в недоступных для детей местах и не доверяйте электроинструмент лицам, не знакомым с ним и с этими инструкциями.
- 38)** Выполняйте техническое обслуживание электроинструментов. Проверьте выравнивание и сцепление подвижных деталей, наличие поломок и прочие условия, которые могут повлиять на работу электроинструмента. В случае повреждения инструмента отремонтируйте его перед использованием.
- 39)** Используйте электроинструмент, аксессуары, насадки и т.п. в соответствии с этими инструкциями, принимая во внимание условия и специфику выполняемой работы.
- 40)** Ремонт электроинструмента должен производиться квалифицированным лицом с использованием только идентичных запасных частей.
- 41)** При нормальном распылении двигатель не должен находиться под головкой пистолета и контейнером.



- 42)** Никогда не распыляйте жидкости на крышку двигателя и т.д.

Технические характеристики PLD3112B

Макс. вязкость:	60 дина-секунд
Напряжение:	220-240 В перемен. тока, 50 Гц
Потребляемая мощность:	600 Вт
Класс защиты:	IP 23
Макс. обратное давление воздуха:	0,1–0,3 бар
Двойная изоляция:	
Кабель питания:	1,8 м
Уровень звукового давления:	80,9 дБ (А) (погрешность К = 3 дБ (А))
Уровень звуковой мощности:	91,9 дБ (А) (погрешность К = 3 дБ (А))
Уровень колебания:	<0,25 м/с ² (погрешность К = 1,5 м/с ²)
Длина воздушного шланга:	1,8 м
Объем контейнера:	900 мл
Размер насадки:	∅2,5 мм
Масса:	2,5 кг

Описание системы

Работа устройства основана на технике распыления с использованием низкого давления. Большой объем воздуха окружает струю, которая выбрасывается под низким давлением. Воздушная головка обеспечивает очень мелкое распыление с низкой степенью образования тумана. Материал покрытия наносится быстро и точно.

Кроме того, поток воздуха сокращает время высыхания материала покрытия. Это позволяет достичь идеального результата распыления с соответствующей экономией материала покрытия и, следовательно, без риска для окружающей среды.

Описание функций

Воздуходувка двигателя создает поток воздуха, который поступает через

воздушный шланг к пистолету-распылителю. Поток воздуха измельчает материал покрытия в насадке и создает давление в контейнере. Это давление толкает материал покрытия по напорной трубке в насадку. Настройки воздушного потока и давления могут постепенно регулироваться.

Пригодные к использованию материалы покрытия

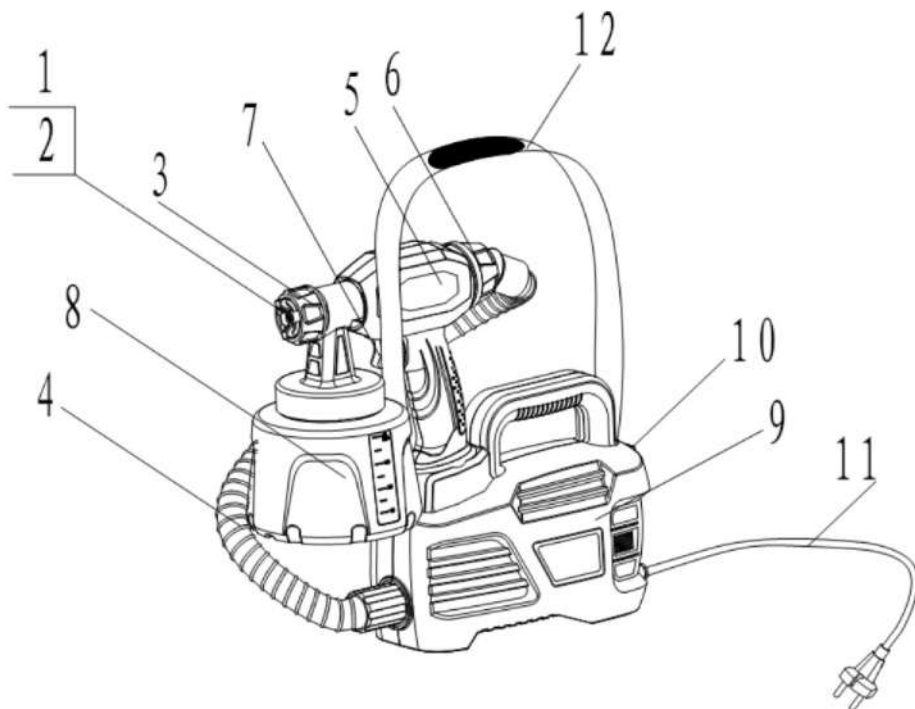
Водоэмульсионная краска, краска на основе растворителя, эмульсионная краска, лак, двухкомпонентная краска

Прозрачные покрытия, автомобильные покрытия, герметизирующие покрывные материалы и антисептические грунтовки для дерева.

Непригодные к использованию материалы покрытия

Материалы, содержащие абразивные вещества, фасадная краска, герметизирующие материалы, щелочные растворы и кислотные покрытия.

Материалы покрытия с температурой воспламенения ниже 21°C.



Пояснительная схема PLD3112B

- | | | | |
|---|----------------------------|----|------------------------|
| 1 | Воздушная головка | 7 | Курок |
| 2 | Насадка | 8 | Контейнер |
| 3 | Накидная гайка | 9 | Воздуходувка двигателя |
| 4 | Воздушный шланг | 10 | Выключатель питания |
| 5 | Пистолет-распылитель | 11 | Кабель питания |
| 6 | Винт регулировки материала | 12 | Ремень |

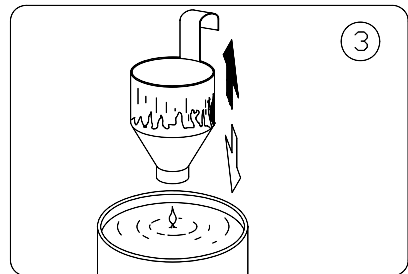
Подготовка распыляемого материала

Обычно информация о разбавлении распыляемого материала не указывается на маркировке самого материала.

Поэтому используйте таблицу вязкости материала покрытия.

Измерение вязкости при помощи вискозиметра

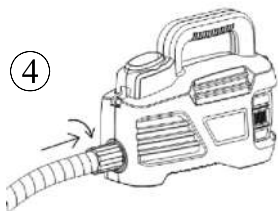
1. Перед измерением вязкости тщательно перемешайте распыляемый материал.
2. Полностью погрузите вискозиметр (объемом 100 см³) в материал до обода и дайте ему наполниться.
3. Поднимите вискозиметр и измерьте время в секундах до полного вытекания жидкости.



Это время вытекания называется дино-секундами.

Таблицу вязкости см. на следующей странице

Таблица вязкости	
Материал	Вязкость в дино-секундах
Глянцевые краски, содержащие растворитель	15-50
Грунтовка	25-50
Морилка	не разбавляются
Двухкомпонентные краски	20-50
Чистые лаки	15-40
Глянцевые краски, разбавляемые водой	20-40
Автомобильные эмали	20-40
Средства защиты древесины	не разбавляются



1. Прикрепите воздушный шланг.

Конец устройства (Рис. 4)

Установите конец воздушного шланга с направляющим штифтом.

Поверните, чтобы закрепить.

Конец пистолета-распылителя (Рис. 5)

Надежно установите воздушный шланг в разъем пистолета-распылителя.

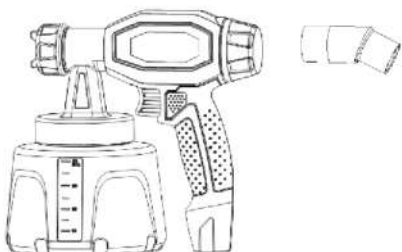
Запуск

Шланг может подсоединяться в любом положении.

- Открутите контейнер с пистолета-распылителя.
- Отрегулируйте напорную трубку соответствующим образом.

Материал должен нормально распыляться даже в том случае, когда в контейнере почти не остается содержимого.

⑤



Распыление на горизонтальную поверхность (Рис. 7)

Поверните напорную трубку А вперед.

⑥



Распыление на возвышенные поверхности (Рис. 6)

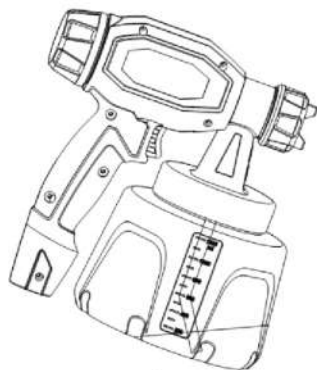
Поверните напорную трубку А концом назад.

4. Заполните контейнер материалом.

Надежно прикрутите его к пистолету-распылителю.

5. Установите пистолет-распылитель в держатель.
6. Ставьте устройство только на ровные и чистые поверхности. Устройство может засосать пыль и т.д.

⑦

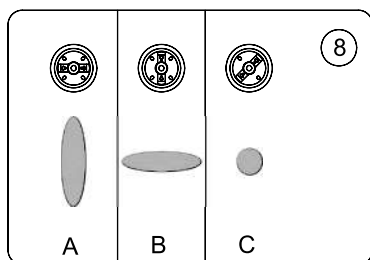
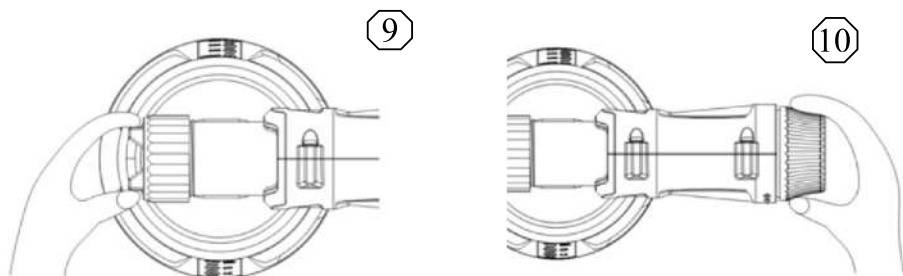


7. Перед подключением к источнику питания убедитесь, что его напряжение соответствует значению на паспортной табличке устройства.
8. Извлеките пистолет-распылитель из держателя и направьте на обрабатываемую поверхность. Включите устройство при помощи

9. переключателя питания.
10. Настройте режим распыления и расход материала, а также поток воздуха и давление, см. Рис. 8-10 и описание на стр. 14.
11. Нажмите на курок, чтобы начать распыление.

Примечание.

Когда устройство включено, воздушный поток постоянно выходит из воздушной головки.



Регулировка

пистолета-распылителя

Выбор режима распыления

A = плоская вертикальная струя

для горизонтальных поверхностей

B = горизонтальная струя

для вертикальных поверхностей

C = круглая струя

для углов, краев и других труднодоступных мест

Установка выбранного режима распыления

Открутите накидную гайку (3) и поверните воздушную головку (1) в положение выбранного режима.

Внимание!

Никогда не нажимайте курок во время регулировки положения воздушной головки.

Регулировка расхода материала

Установите расход материала при помощи вращения регулировочного винта.

+ поверните вправо — расход больше

- поверните влево — расход меньше

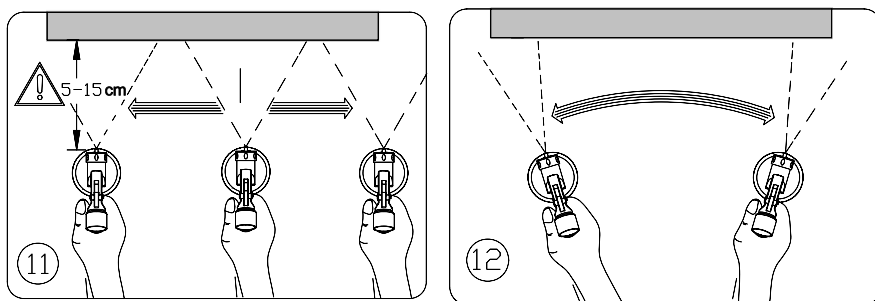
Техника распыления

Результат распыления во многом зависит от чистоты и гладкости поверхности перед началом работы. Поэтому тщательно подготовьте поверхность и очистите ее.

Закройте поверхности, не требующие обработки, клейкой лентой или газетами.

Закройте на обрабатываемой поверхности резьбовые соединения и подобные объекты.

Рекомендуется провести пробное распыление на картоне или аналогичной поверхности, чтобы наиболее точно настроить распылитель.



Важно! Начинайте распылять с внешней стороны поверхности и избегайте длительного распыления в одной точке.

Правильно (Рис. 11)

Всегда держите устройство на одинаковом расстоянии (прибл. 5-15 см) от

обрабатываемой поверхности. Плавно и равномерно перемещайте распылитель вдоль поверхности или сверху вниз в зависимости от выбранного режима. Равномерное движение устройства позволяет достичь равномерного результата.

Неправильно (Рис. 12)

Избыточное количество краски приводит к образованию тумана и неровностей на поверхности.

Если материал скапливается на насадке (2) или воздушной головке (1), очистите их при помощи растворителя или воды.

Перерывы в работе

- Выключите устройство.
- Установите пистолет-распылитель в держатель.

Отключение и очистка

1. Выключите устройство. Нажмите на курок, чтобы материал вытек из пистолета-распылителя обратно в контейнер.
2. Открутите контейнер. Вылейте оставшийся материал из контейнера в его оригинальную емкость.
3. Очистите контейнер и напорную трубку при помощи щетки.
4. Заполните контейнер растворителем или водой.
Прикрутите контейнер на место.

Используйте только те растворители, температура воспламенения которых превышает 21°C.

Включите устройство и распылите растворитель или воду через устройство в подходящий контейнер.

Если трубка не используется, некоторое количество растворителя или воды может вытечь из контейнера.

Это объясняется большим объемом воздуха.

5. Повторяйте вышеописанную процедуру, пока из насадки не начнет распыляться чистый растворитель или вода.

6. Выключите устройство.
7. Опустошите контейнер. Всегда следите за тем, чтобы на уплотнителе контейнера не было распыляемого материала и регулярно проверяйте его на наличие повреждений.
8. Очистите внешнюю поверхность пистолета-распылителя и контейнера при помощи ткани, смоченной в растворителе или воде.
9. Открутите накидную гайку. Снимите воздушную головку. Очистите воздушную головку и насадку при помощи щетки и растворителя или воды.

Примечание.

Никогда не очищайте насадку или воздушное отверстие пистолета-распылителя при помощи острых металлических предметов.

Электроинструменты с насадками типа X, требующие замены кабеля: если кабель питания инструмента поврежден, обратитесь для его замены в сервисный центр.

Устранение неисправностей		
Проблема	Причина	Устранение
Материал покрытия не распыляется через насадку	Насадка засорена.	Очистите
	Напорная трубка засорена.	Очистите
	Маленькое отверстие в напорной трубке заблокировано.	Очистите
	Винт регулировки расхода материала слишком сильно повернут влево (-).	Поверните вправо (+)
	Напорная трубка плохо закреплена.	Затяните трубку
	В контейнере не образуется давление.	Закрепите контейнер
Материал вытекает из насадки	Насадка плохо закреплена.	Затяните
	Насадка изношена.	Замените
	Материал скапливается в воздушной головке	Очистите

	или насадке.	
Материал распыляется слишком толстым слоем	<p>Материал слишком вязкий.</p> <p>Слишком большой расход материала.</p> <p>Винт регулировки расхода материала слишком сильно повернут вправо (+).</p> <p>Насадка загрязнена.</p> <p>Воздушный фильтр сильно загрязнен.</p> <p>В контейнере образуется недостаточно давления.</p>	<p>Разбавьте</p> <p>Поверните винт регулировки расхода материала влево (-)</p> <p>Поверните влево (-)</p> <p>Очистите</p> <p>Замените</p> <p>Закрепите контейнер</p>
Струя распыляемого материала пульсирует	<p>Материал в контейнере на исходе.</p> <p>Маленькое отверстие в напорной трубке заблокировано.</p> <p>Воздушный фильтр сильно загрязнен.</p>	<p>Долейте</p> <p>Очистите</p> <p>Замените</p>
Быстрый расход материала	Слишком большой расход материала	Поверните винт регулировки расхода материала влево (-)
Слишком много тумана при распылении (брызги)	<p>Слишком большое расстояние между распылителем и обрабатываемой поверхностью.</p> <p>Слишком большой расход материала</p>	<p>Сократите расстояние</p> <p>Поверните винт регулировки расхода материала влево (-)</p>

Сертификат соответствия № TC RU-CN.МБ34.А.00422

**ДЕКЛАРАЦИЯ СООТВЕТСТВИЯ НОРМАМ ЕС
(ВЕЛИКОБРИТАНИЯ)**

Мы со всей ответственностью заявляем, что этот ЭЛЕКТРИЧЕСКИЙ РАСПЫЛИТЕЛЬ 600 ВТ PLD3112В соответствует следующим стандартам и документам.

Номер партии: **208994070420**

Директивы ЕС 2006/42/ЕС

Директива по электромагнитной совместимости 2014/30/EU

Директива ЕС об ограничении использования некоторых вредных

Директива ЕС об ограничении использования некоторых вредных веществ в электрическом и электронном оборудовании 2015/863, дополнение к Директиве 2011/65/EU

А также следующим нормам:

EN 60745-1:2009/A11:2010

EN 50580:2012/A1:2013

EN 55014-1:2017

EN55014-2:2015

EN61000-3-2:2014

EN61000-3-3:2013

EN IEC 61000-3-2:2019

EN 61000-3-3:2013/A1:2019

IEC 62321-3-1:2013

IEC 62321-4:2013

IEC 62321-5:2013

IEC 62321-6:2015

IEC 62321-7-1:2015

IEC 62321-7-2:2017

IEC 62321-8:2017

Две последние цифры года присвоения маркировки CE: **20**

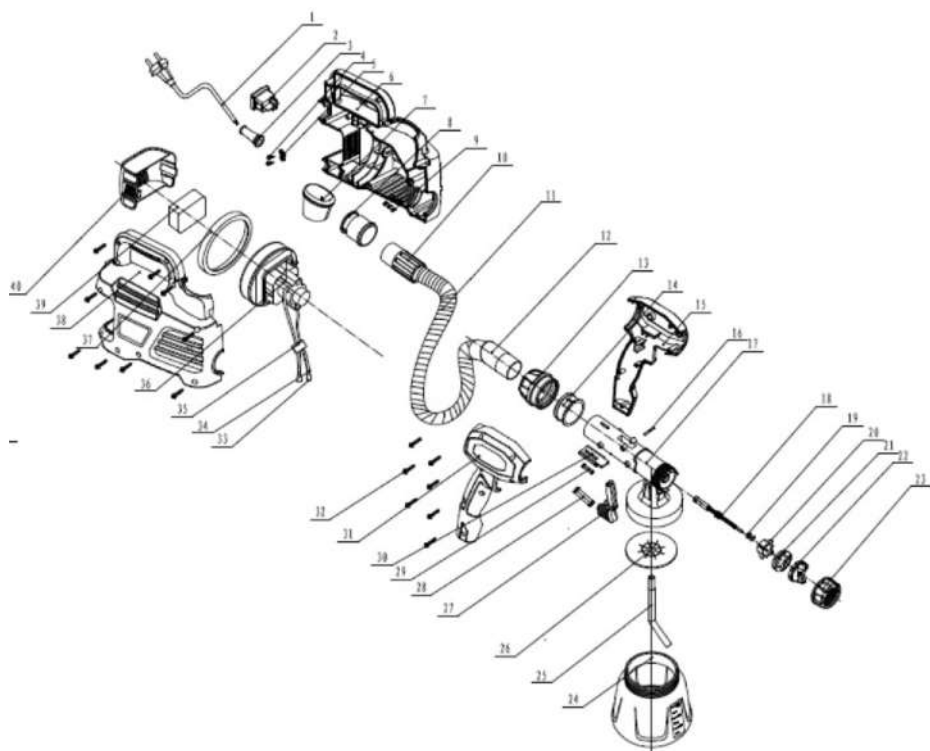
Подписано в Шанхае 10/01/2020



Ричи ПЕРМАЛ (Richie PERMAL)

Руководитель отдела контроля качества поставщиков






Официальный представитель Жюльен Ледин (Julien Ledin), руководителя отдела качества ADEO



ГАРАНТИЯ

1. Продукция компании Dexter Power разработана в соответствии с высшими стандартами качества для бытовых инструментов. Компания предоставляет на свои продукты 24-месячную гарантию со дня приобретения. Эта гарантия распространяется на все дефекты материалов и производства, которые могут возникнуть. Никакие другие претензии любого вида, прямые или косвенные, относящиеся к людям или материалам, не могут быть удовлетворены. Продукция Dexter Power не предназначена для профессионального применения.
2. В случае обнаружения неисправности или дефекта прежде всего необходимо обратиться к дилеру Dexter Power. В большинстве случаев именно он сможет решить проблему или устранить дефект.
3. Ремонт или замена узлов не продлевают изначальный срок гарантии.
4. Гарантия не распространяется на дефекты, возникшие вследствие неправильного обращения или износа. Помимо всего прочего, это касается износа выключателей, защитных цепей и двигателей.
5. Претензия в рамках гарантийных обязательств может быть принята только при следующих условиях.
 - . Предоставлено подтверждение покупки в виде чека.
 - . Никакой ремонт не проводился третьими лицами.
 - . Инструмент не подвергался неправильному использованию (перегрузкам или установке несертифицированных насадок).
 - . Отсутствуют повреждения вследствие внешних воздействий, таких как песок или камни.
 - . Отсутствуют повреждения вследствие несоблюдения правил техники безопасности и инструкций по применению.
 - . Отсутствуют форс-мажорные обстоятельства с нашей стороны.
 - . Прилагается описание претензии.
6. Условия гарантийного обслуживания применяются вместе с нашими правилами продажи и поставки.
7. Неисправные инструменты, подлежащие возврату в компанию Dexter Power через дилера Dexter Power, компания Dexter Power принимает при условии должной упаковки изделия. Если возврат неисправного устройства в компанию Dexter Power выполняет непосредственно покупатель, компания сможет выполнить обслуживание таких товаров при условии оплаты покупателем расходов на доставку.
8. Компания Dexter Power не принимает продукцию, не упакованную должным образом.

Пояснення символів

	УВАГА - З метою зменшення ризику отримання травм ознайомтесь з інструкцією користувача.
	Виріб відповідає спеціальним Європейським директивам; проведена нормативна процедура оцінки відповідності.
	Клас безпеки II
	Не викидайте електричне приладдя разом з побутовим сміттям.
	Цей продукт може перероблятися. Якщо воно більше не є придатне для використання, здайте його в утилізаційний центр.



ПОПЕРЕДЖЕННЯ! Ознайомтеся з усіма інструкціями й попередженнями щодо техніки безпеки.

ЗАГАЛЬНІ ПОПЕРЕДЖЕННЯ ЩОДО БЕЗПЕКИ В РОБОТІ З ЕЛЕКТРОІНСТРУМЕНТАМИ



ПОПЕРЕДЖЕННЯ Прочитайте всі вказівки щодо безпеки та інструкції. Недотримання вказівок та правил може спричинити ураження електричним струмом, пожежу та/або серйозні травми.

Зберігайте всі застереження та інструкції для подальшого використання.

Термін "електроінструмент" у попередженнях стосується електричного інструмента, що працює від електромережі (через шнур) або від акумулятора (без шнура).

1) Безпека робочої зони

а) Тримайте робочу зону чистою та добре освітленою. Неприбрана або погано освітлена поверхня може стати причиною нещасного випадку.

б) Не працюйте з інструментом у вибухонебезпечному середовищі, наприклад, за наявності легкозаймистих рідин, газів або пилу. Під час роботи електроприладу утворюються іскри, від яких можуть зайнятися пил або випари.

с) Дітям і спостерігачам заборонено перебувати поруч з електроприладом, що працює. Це може відволікати вас і призвести до втрати контролю.

2) Електробезпека

a) Штепсельні вилки електроінструмента повинні підходити до розеток. Заборонено змінювати штепсель будь-яким чином. Не використовуйте жодні перехідники для роботи із заземленими електроінструментами. *Штепселі та розетки, в які не вносилися зміни, зменшують ризик ураження електричним струмом.*

b) Уникайте контакту частин тіла із заземленими поверхнями, такими як труби, батареї, решітки й холодильники. *У разі заземлення тіла збільшується ризик ураження електричним струмом.*

c) Бережіть електроінструмент від дощу та вологи. *Вода, що потрапила в електроінструмент, підвищує ризик ураження електричним струмом.*

d) Не використовуйте шнур із порушенням норм експлуатації. Не використовуйте його для перенесення чи перетягування приладу та виймання штепселя з розетки. Шнур потрібно оберігати від дії тепла, від гострих кутів та рухомих частин. *Пошкоджені чи заплутані шнури живлення становлять небезпеку враження електричним струмом.*

e) Під час роботи з електроприладом надворі використовуйте подовжувач, призначений для зовнішніх робіт. *Використання шнура, призначеного для зовнішніх робіт, зменшує ризик ураження електричним струмом.*

f) Якщо роботи з електроінструментом у вологому середовищі не уникнути, скористайтеся пристроєм захисного вимкнення (ПЗВ). *Використання такого пристрою зменшує ризик ураження електричним струмом.*

3) Індивідуальна техніка безпеки

a) Під час роботи з електроінструментом будьте уважними, слідкуйте за своїми діями та мисліть розсудливо. Не працюйте з електроінструментом, якщо ви втомлені або перебуваєте під дією наркотичних речовин, алкоголю або ліків. *Навіть миттєва*

неуважність під час роботи з електроінструментом може призвести до важкої травми.

b) Використовуйте засоби особистого захисту. Завжди надягайте захисні окуляри. Використання у відповідних умовах таких захисних засобів як протипиловий респіратор, нековзне захисне взуття, шолом-каска і навушники допоможе зменшити ризик травмування.

c) Уникайте випадкового запуску. Переконайтесь, що перемикач знаходиться у положенні «вимк.» перед підключенням до джерела живлення та/або блоку батарей, підняттям та перенесенням інструменту. Якщо переносити електроінструмент, тримаючи палець на перемикачі живлення, або підключати його до джерела живлення, коли перемикач живлення перебуває в положенні "увімкнено", це може призвести до травмування.

d) Перш ніж вмикати електроінструмент, слід зняти всі регульовальні клини або гайкові ключі. Якщо залишити такий ключ на рухомій частині електроінструмента, це може призвести до травмування.

e) Не дотягуйтеся. Завжди міцно стійте на ногах і втримуйте рівновагу. Це дозволяє краще керувати електроінструментом у разі виникнення непередбачуваних ситуацій.

f) Одягайтеся належним чином. Не носіть вільного одягу та біжутерії. Стежте за тим, щоб волосся, одяг та рукавиці не потрапили на рухомі частини. Вільний одяг, біжутерія чи довге волосся можуть потрапити в рухомі частини.

g) Якщо пристрої обладнано системою видалення пилу, перевірте, чи правильно її підключено, і чи ви використовуєте її належним чином. Використання пристрою для збирання пилу може зменшити небезпеку, пов'язану з пилом.

4) Користування та догляд за електроінструментом

a) Не застосовуйте силу до електроінструмента. Використовуйте належний електроінструмент відповідно до потреби. Правильно

підібраний електроінструмент допоможе краще і безпечніше зробити роботу із швидкістю, яка для нього передбачена.

b) Не використовуйте електроінструмент, якщо перемикач не вмикає або не вимикає його. *Усі електроінструменти, якими неможливо керувати за допомогою перемикача, становлять небезпеку й підлягають ремонту.*

c) Перш ніж проводити будь-які налаштування, замінювати приладдя, а також перед зберіганням вийміть штепсель із джерела живлення або акумулятор з інструмента. *Такі запобіжні заходи техніки безпеки зменшують ризик випадкового запуску електроінструмента.*

d) Тримайте інструменти, що не використовуються, подалі від дітей і не дозволяйте особам, які не мають досвіду роботи з такими інструментами або не знайомі з цими інструкціями, користуватись електроінструментом. *Електроінструменти становлять небезпеку в руках недосвідчених користувачів.*

e) Виконуйте належне технічне обслуговування електроінструментів. **Перевіряйте його на предмет розладнання чи блокування рухомих частин, а також будь-яких обставин, які можуть вплинути на роботу інструмента.** *У разі пошкоджень електроінструмент слід здати в ремонт, перш ніж користуватися ним. Часто нещасні випадки трапляються внаслідок неналежного технічного обслуговування електроінструментів.*

f) Тримайте ріжучі інструменти гострими й чистими. *Належним чином доглянуті ріжучі інструменти з гострими краями рідше блокуються, їх легше контролювати.*

g) Користуйтеся електроінструментом, аксесуарами та насадками для інструмента згідно з цією інструкцією, зважаючи на робочі умови та роботу, яку слід виконати. *Використання електроінструмента всупереч призначенню може стати причиною виникнення небезпечних ситуацій.*

5) Обслуговування

а) Обслуговування електроінструмента повинен виконувати кваліфікований ремонтник з використанням лише ідентичних запасних частин. *Це забезпечить нормальну роботу електроінструмента.*

б) Додаткові правила техніки безпеки щодо пістолета-розпилювача

а) Не використовуйте пістолет для розпилення горючих матеріалів.

б) Остерігайтесь будь-якої небезпеки, що може становити рідина для розпилення, і звертайте увагу на маркування на контейнері або на інформацію від виробника.

в) Не розпилюйте будь-яку рідину, якщо вам невідома потенційна небезпека.

г) Під час розпилення завжди надягайте респіратор.

д) Під час роботи рекомендується надягати засоби захисту органів слуху.

е) Не чистіть пістолет горючими розчинниками.

є) Попередження! Перед проведенням будь-яких операцій з обслуговування, регулювання чи догляду витягайте вилку з розетки.

ж) Якщо шнур живлення цього інструмента пошкоджений, він має бути замінений на спеціально підготовлений шнур, який можна придбати через сервісний центр.

з) Якщо вугільні щітки необхідно замінити, це має робити кваліфікований фахівець з ремонту (завжди замінюйте одночасно обидві щітки).



ПРАВИЛА ТЕХНІКИ БЕЗПЕКИ ДЛЯ ПІСТОЛЕТА-РОЗПИЛЮВАЧА PLD3112B

1) Будь ласка, прочитайте уважно інструкцію з експлуатації та дотримуйтесь правил техніки безпеки.

- 2) Без додаткового підігрівання можна розпилювати тільки лакофарбові матеріали, наприклад, фарби, емалі, лаки тощо, з температурою займання 21°C (32°C в Сполученому Королівстві) і вище. В Німеччині ці лакофарбові матеріали належать до класів небезпеки АП і АПП, див. на банці з фарбою.
- 3) Прилад забороняється залишати на робочих місцях, які підпадають під дію вимог з вибухозахисту.
- 4) Під час розпилення перевірте, щоб навколо не було джерел займання, наприклад, відкритий вогонь, сигарети, сигари і трубки, іскри, проводи розжарювання, гарячі поверхні тощо.
- 5) **Рекомендація: під час розпилення надягайте респіратор.**
- 6) **Увага! Небезпека травмування!**
- Ніколи не направляйте пістолет-розпилювач на себе, інших осіб або тварин.**



- 7) Під час роботи з пістолетом-розпилювачем PLD3112B всередині приміщення та зовні необхідно подбати про те, щоб пари розчинників не всмоктувались в пістолет.
- 8) При роботі зовні звертайте увагу на напрямок вітру. При роботі всередині приміщення забезпечте наявність достатньої вентиляції.
- 9) Не розпилюйте рідини на прилад.
- 10) Прилад тоді є захищеним від бризок, коли повітряний шланг приєднаний правильно.
- 11) Дітям забороняється гратися з приладом. Зберігати в недоступному для дітей місці.

- 12) Завжди перевіряйте шнур живлення на наявність пошкоджень. Якщо ви виявили пошкодження негайно зверніться до авторизованого сервісного центру для заміни шнура живлення.
- 13) Коли пістолет не використовується, виймайте вилку з розетки.
- 14) Ремонт електричних деталей має здійснюватись тільки в авторизованому сервісному центрі.
- 15) Забороняється використовувати пістолет для розпилення легкозаймистих рідин.
- 16) Забороняється чистити пістолет горючими розчинниками.
- 17) Вживайте запобіжні заходи проти потенційних небезпек, пов'язаних з розпиленням рідини, і дотримуйтесь інструкцій, які написані на контейнерах або встановлених виробником рідини.
- 18) Забороняється розпилювати рідини, потенційна небезпека яких невідома.
- 19) Робоча зона має бути чистою й добре освітленою.
- 20) Не працюйте з електроприладом у вибухонебезпечному середовищі, наприклад, у присутності легкозаймистих рідин, газів або пилу.
- 21) Не допускайте близько дітей і сторонніх під час роботи з електроінструментом.
- 22) Штепселі електроінструмента повинні відповідати розетці. Заборонено змінювати штепсель будь-яким чином. Не використовуйте жодні перехідники для роботи із заземленими електроінструментами.
- 23) Не торкайтеся заземлених поверхонь, зокрема трубок, радіаторів, батарей та холодильників.
- 24) Не залишайте електроінструмент під дощем або в умовах підвищеної вологості.
- 25) Поводьтеся обережно зі шнуром живлення. Не використовуйте його для перенесення чи перетягування приладу та виймання штепселя з розетки. Шнур потрібно оберігати від дії тепла, від гострих кутів та рухомих частин.
- 26) При роботі електроінструмента на відкритому повітрі використовуйте

подовжувач, для цього призначений.

27) Під час роботи з електроприладом будьте уважні й розсудливі, стежте за своїми діями. Не працюйте з електроінструментом, якщо ви втомлені або перебуваєте під дією наркотичних речовин, алкоголю або ліків.

28) Користуйтеся засобами індивідуального захисту. Завжди надягайте захисні окуляри.

29) Уникайте випадкового запуску. Перш ніж вставити штепсель, переконайтеся, що перемикач стоїть у положенні «вимкнено».

30) Перш ніж увімкнути електроінструмент, зніміть усі регулювальні клинці та гайкові ключі.

31) Не нахилийтеся надміру. Завжди міцно стійте на ногах і втримуйте рівновагу.

32) Одягайте відповідний одяг. Не носіть вільного одягу та біжутерії. Стежте за тим, щоб волосся, одяг та рукавиці не потрапили на рухомі частини.

33) Якщо є пристрої для відведення або збирання пилу, їх слід обов'язково встановлювати й правильно використовувати.

34) Не перевантажуйте електроінструмент. Вибирайте потужність відповідно до потреби.

35) Не використовуйте електроінструмент, якщо перемикач не вмикає або не вимикає його.

36) Витягніть штепсель із джерела живлення інструмента, перш ніж проводити будь-яке регулювання, замінити комплектуючі частини чи зберігати інструмент.

37) Зберігайте інструменти, які не використовуються, подалі від дітей і не дозволяйте особам, які не мають досвіду роботи з такими інструментами або не знайомі з цими інструкціями, користуватись електроінструментом.

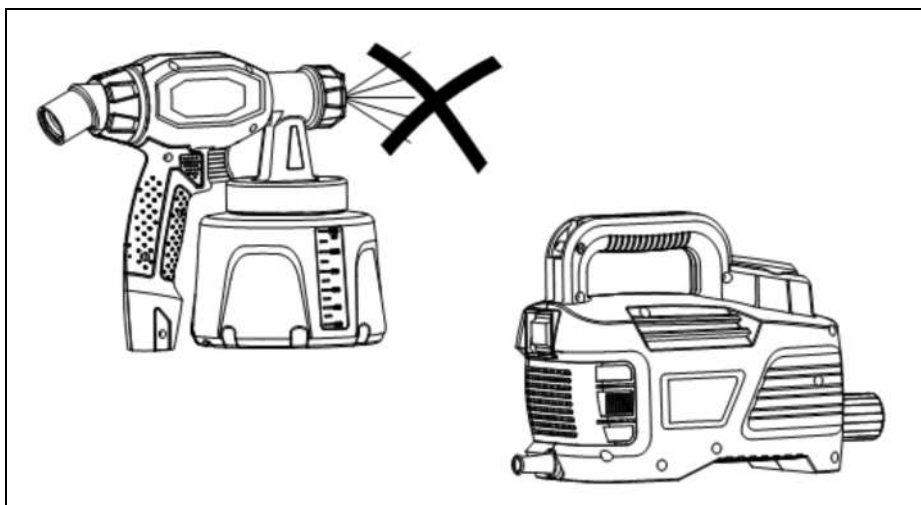
38) Електроінструмент потребує догляду. Перевіряйте його на предмет розладнання чи блокування рухомих частин, а також будь-яких обставин, які можуть вплинути на роботу інструмента. У разі пошкоджень

електроінструмент слід здати в ремонт, перш ніж користуватися ним.

39) Користуйтеся електроінструментом, аксесуарами та насадками для інструмента належним чином, згідно з цією інструкцією та зважаючи на робочі умови й виконувану роботу.

40) Віддавайте свій прилад в ремонт кваліфікованому фахівцеві та використовуйте тільки оригінальні запасні частини.

41) При звичайному розпиленні рідини мотор не повинен знаходитися під головкою пістолета і під контейнером.

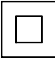


42) Забороняється розпилювати у напрямку кришки мотора і т.д.

Технічні характеристики PLD3112B

Макс. в'язкість: 60 DIN-s

Напруга: 220-240 В АС 50 Гц

Енергоспоживання:	600 Вт
Клас захисту:	IP23
Макс. тиск всмоктувального повітря:	0,1 - 0,3 бар
Подвійна ізоляція:	
Шнур живлення:	1,8 м
Рівень звукового тиску:	80,9 дБ(А) (похибка К=3 дБ(А))
Рівень звукової потужності:	91,9 дБ(А) (похибка К=3 дБ(А))
Рівень осциляції:	<0,25 м/с²(похибка К=1,5 м/с²)
Довжина повітряного шланга:	1,8 м
Місткість контейнера:	900 мл
Розмір форсунки:	∅ 2,5 мм
Маса:	2,5 кг

Пояснення системи роботи

Прилад працює відповідно до техніки розпилення під низьким тиском. Високий обсяг повітря оточує форсунку і викидається під низьким тиском. Повітряна головка забезпечує дуже дрібне розпилення з незмінним туманом розпилення. Лакофарбові матеріали наносяться на об'єкт дуже швидко і точно. Крім того, потік повітря скорочує час висихання лакофарбових матеріалів. Це дає відмінний результат розпилення з відповідною економією матеріалу і, таким чином, це щадить навколишнє середовище.

Опис функції

Мотор-вентилятор створює потік повітря, який проходить через повітряний шланг до пістолета-розпилювача. Потік повітря розпилює лакофарбовий матеріал на виході з форсунки і, таким чином, підвищує тиск в контейнері. Тиск виштовхує лакофарбовий матеріал вгору по напірній трубі до форсунки. Можна регулювати поступово потік повітря та тиск.

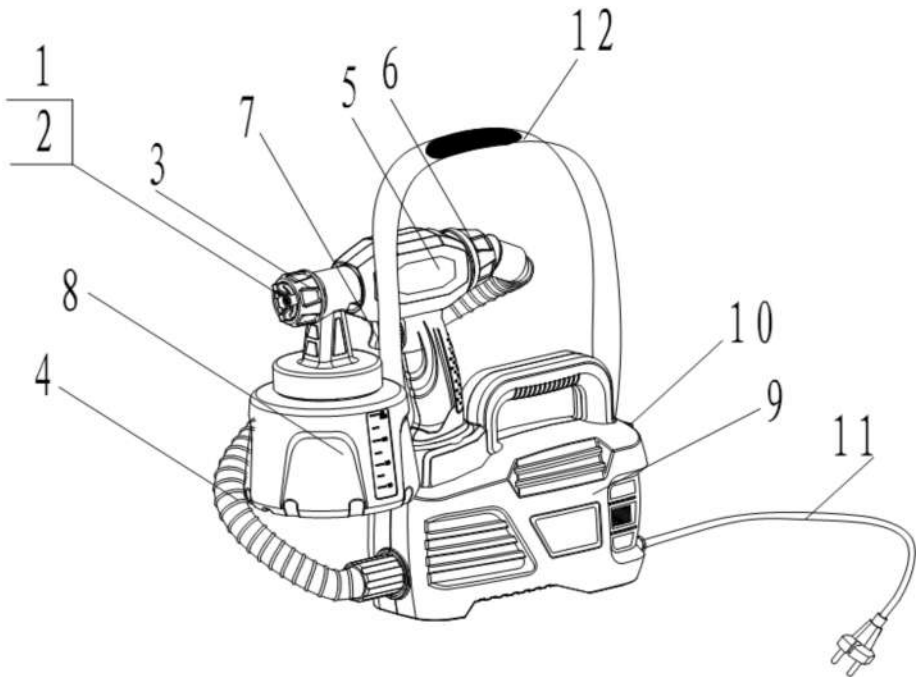
Лакофарбові матеріали, які підходять для використання

Фарби на основі води та розчинника, емульсійні фарби, лаки, ґрунтовки, двокомпонентні фарби, прозорі обробні матеріали, автомобільні обробні матеріали, морилки і ґрунтовки для деревини.

Лакофарбові матеріали, які не підходять для використання

Матеріали, що містять сильні абразивні компоненти, фасадні фарби, герметики, лужні розчини і кислотні сорбенти.

Лакофарбові матеріали з температурою займання нижче 21 °С.



пістолета-розпилювача

PLD3112B

Пояснювальна схема

- | | | | |
|---|--------------------------|----|------------------|
| 1 | Повітряна головка | 7 | Тригер |
| 2 | Форсунка | 8 | Контейнер |
| 3 | Накидна гайка | 9 | Мотор-вентилятор |
| 4 | Повітряний шланг | 10 | Вимикач ON/OFF |
| 5 | Пістолет-розпилювач | 11 | Шнур живлення |
| 6 | Гвинт регулювання рідини | 12 | Ремінець |

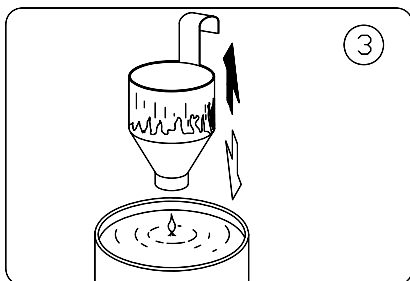
Підготовка лакофарбового матеріалу

Інформація щодо розведення рідини для розпилення зазвичай не вказується на банці з лакофарбовим матеріалом.

Тому користуйтеся таблицею в'язкості / щільності лакофарбового матеріалу.

Визначення в'язкості за допомогою вимірної склянки

1. Ретельно перемішайте лакофарбовий матеріал перед початком вимірювання.



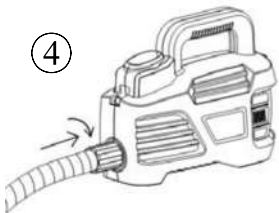
2. Повністю занурити вимірну склянку (місткість 100 см³) в лакофарбовий матеріал нижче рівня обода і дайте їй наповнитись.
3. Підніміть вимірну склянку і рахуйте секунди, поки матеріал не витече зі склянки.

Цей час називається **DIN-секунди (DIN-s)**.

Таблиця в'язкості, див. на наступній сторінці

Таблиця в'язкості**В'язкість лакофарбового матеріалу (DIN-s)**

Глянцеві фарби, що містять розчинник -----	15-50
Ґрунтовки -----	25-50
Морилки -----	у чистому вигляді
Двокомпонентні фарби-----	20-50
Чисті лаки-----	15-40
Водорозчинні глянцеві фарби-----	20-40
Автомобільні емалі -----	20-40
Антисептики для деревини-----	у чистому вигляді

**Запуск**

Для з'єднання можна вибрати будь-яке положення.

2. Відкрутіть контейнер з пістолета-розпилювача.
3. Відповідно відрегулюйте напірну трубу.

1. Приєднання повітряного шлангу

Кінцева частина приладу (зоб. 4)

Вставте кінець шлангу з пальцем в напрямну.

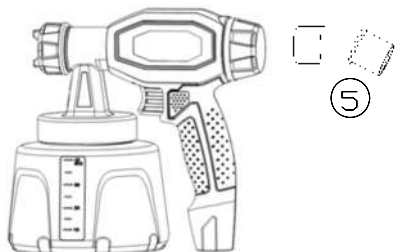
Зафіксуйте поворотом.

Кінець пістолета-розпилювача (зоб.

5)

Вставте щільно повітряний шланг в з'єднання пістолета-розпилювача.

Вона повинна забезпечити розпилення вмісту контейнера і не залишати майже ніякого матеріалу в контейнері.



Розпилення на горизонтальні об'єкти (зоб. 7)

Поверніть напірну трубу А вперед.

Розпилення на високі об'єкти (зоб. 6)

Поверніть напірну трубу А назад.

4. Наповніть контейнер лакофарбовим матеріалом.

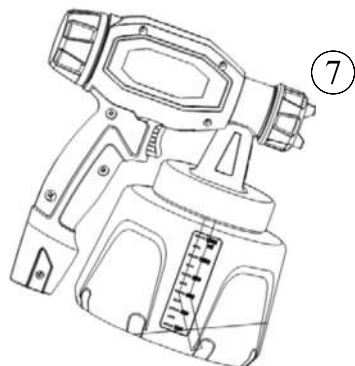
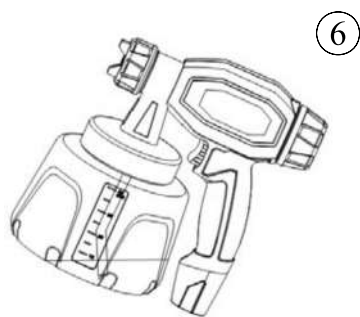
Надійно закрутіть його на пістолеті.

5. Вставте пістолет-розпилювач в утримувач.

6. Поставте пістолет на рівну і чисту поверхню. Пістолет може всмоктувати пил і т.д.

7. Перед підключенням до мережі живлення переконайтесь, що напруга мережі відповідає даним на фірмовій табличці.

8. Вийміть пістолет з утримувача і направте на об'єкт, який фарбується. Для використання увімкніть пістолет.



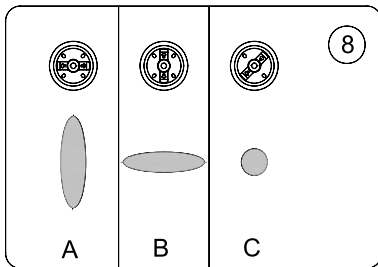
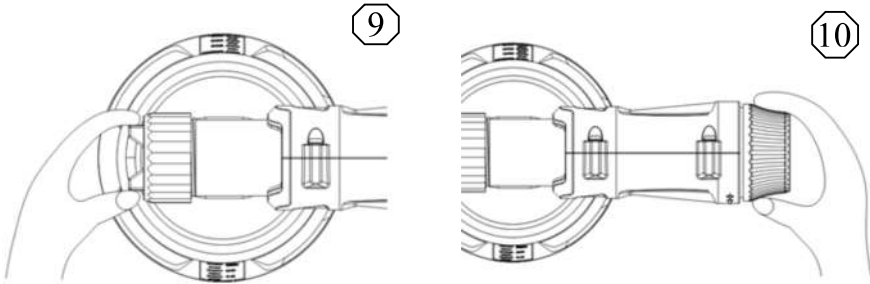
9. Вимикач ON/OFF на приладі.

10. Відрегулюйте спектр розпилення та кількість матеріалу; встановіть кількість повітря та тиск, див. зоб. 8, 9, 10 і опис на стор. 14.

11. Відкрийте тригер на пістолеті-розпилювачі.

Примітка:

Коли пістолет увімкнено, повітря буде виходити безперервно з повітряної головки.



Регулювання

пістолета-розпилювача

Вибір ефекту розпилення

A = вертикальний плоский струмінь

для горизонтальних поверхонь

B = горизонтальний струмінь

для вертикальних поверхонь

C = круглий струмінь

для кутів і кантів та інших важкодоступних місць

Регулювання потрібного ефекту розпилення

Ослабте накидну гайку (3), поверніть повітряну головку (1) у потрібне положення розпилення.

Увага:

Ніколи не відкривайте тригер, коли ви регулюєте повітряну головку.

Регулювання кількості матеріалу

Відрегулюйте кількість матеріалу поворотом регулювального гвинта.

+ повернути вправо – більше матеріалу

- повернути вліво - менше матеріалу

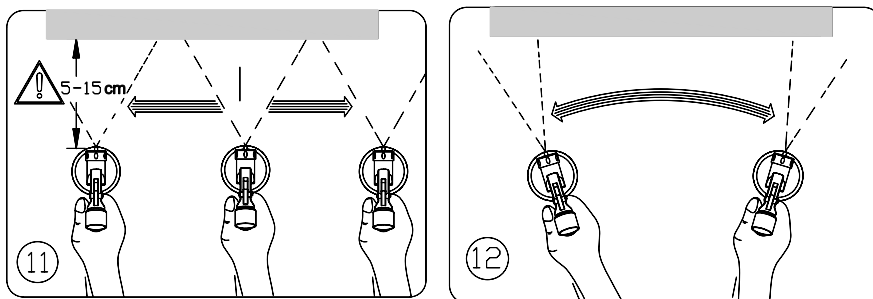
Техніка розпилення

Результат розпилення багато в чому залежить від того, наскільки гладкою й чистою є поверхня перед розпиленням. Для цього поверхню треба ретельно підготувати і тримати її чистою від пилу.

Поверхня, яка не буде оброблюватись пістолетом-розпилювачем, слід закрити клейкою стрічкою та газетами.

Закрийте на оброблювальній поверхні нарізі й подібне.

Бажано зробити тестове розпилення на картоні або подібній поверхні, щоб визначити найбільш підходящі регулювання пістолета-розпилювача.



Важливо: почніть розпилення поза поверхні, що оброблюється, та уникайте зупинки на поверхні.

Правильно (зоб. 11)

Завжди тримайте пістолет-розпилювач на рівномірній відстані бл. 5-15 см від об'єкта, що оброблюється. Рівномірно переміщайте пістолет поперек або вгору і вниз в залежності від встановленого ефекту розпилення. Навіть невеликий рух пістолета дасть рівномірну якість поверхні.

Неправильно (зоб. 12)

Надмірне утворення туману фарби призводить до нерівномірного оброблення поверхні.

Якщо лакофарбовий матеріал накопичується в форсунці (2) та повітряній головці (1) почистіть обидві деталі розчинником або водою.

Пауза в роботі

- Вимкніть пістолет.
- Вставте пістолет-розпилювач в утримувач.

Закриття та чищення

1. Вимкніть пістолет. Відкрийте тригер, щоб лакофарбовий матеріал в пістолеті-розпилювачі витік назад в контейнер.
2. Відкрутіть контейнер. Вилийте матеріал, що залишився, в банку.
3. Прочистіть контейнер і напірну трубу щіткою.
4. Налийте в контейнер розчинник або воду.
Прикрутіть контейнер назад.

Використовуйте розчинник тільки з температурою займання вище 21°C.

Увімкніть прилад і розпиліть розчинник або воду з контейнера.

Якщо труба не використовується, деяка кількість розчинника або води будуть осідати поза контейнером.

Це відбувається внаслідок великого обсягу повітря.

5. Повторіть описану вище процедуру, поки з форсунки не буде виходити чистий розчинник або вода.
6. Вимкніть пістолет.
7. Потім повністю спорожніть контейнер. Ущільнення контейнера має бути завжди чистим від лакофарбового матеріалу, перевіряйте його на наявність пошкодження.
8. Очистіть зовнішню поверхню пістолета-розпилювача і контейнера ганчіркою, змоченою в розчиннику або воді.

9. Відкрутіть накладну гайку. Зніміть повітряну головку. Почистіть повітряну головку і форсунку щіткою та розчинником або водою.

Примітка:

Ніколи не чистіть форсунку або повітряний шланг пістолета-розпилювача гострими металевими предметами.

Електроінструменти з кріпленням типу X, де для заміни потрібний спеціально підготовлений шнур живлення: якщо шнур живлення цього електроінструмента було пошкоджено, він має бути замінений спеціально підготовленим шнуром, який можна придбати в сервісному центрі.

Усунення несправностей		
Проблема	Причина	Вирішення проблеми
З форсунки не виходить лакофарбовий матеріал	<p>Форсунка заблокована.</p> <p>Напірна труба заблокована.</p> <p>Заблокований маленький отвір в напірній трубі.</p> <p>Регульовальний гвинт матеріалу повернутий занадто сильно вліво (-).</p> <p>Напірна труба ослаблена.</p> <p>В контейнері не утворюється тиск.</p>	<p>Почистити.</p> <p>Почистити.</p> <p>Почистити.</p> <p>Повернути вправо (+).</p> <p>Затягнути трубу.</p> <p>Затягнути контейнер.</p>
Лакофарбовий матеріал капас з форсунки	<p>Форсунка ослаблена.</p> <p>Форсунка зношена.</p> <p>Накопичення лакофарбового матеріалу в повітряній головці та форсунці.</p>	<p>Затягнути.</p> <p>Замінити.</p> <p>Почистити.</p>
Занадто товстий струмінь	<p>Занадто висока в'язкість лакофарбового матеріалу.</p> <p>Занадто багато матеріалу.</p>	<p>Розвести.</p> <p>Повернути регульовальний гвинт матеріалу вліво</p>

	<p>Регулювальний гвинт матеріалу повернутий занадто сильно вправо (+). Форсунка забруднена. Повітряний фільтр сильно забруднений. Не достатньо тиску в контейнері.</p>	<p>(-). Повернути вліво (-). Почистити. Замінити. Затягнути контейнер.</p>
Імпульсний струмінь	<p>Лакофарбовий матеріал майже закінчився. Заблокований маленький отвір в напірній трубі. Повітряний фільтр сильно забруднений.</p>	<p>Долити. Почистити. Замінити.</p>
Патьоки лакофарбового матеріалу	<p>Використовується занадто багато лакофарбового матеріалу.</p>	<p>Поверніть регулювальний гвинт матеріалу вліво (-).</p>
Занадто багато туману лакофарбового матеріалу (надмірне розпилення)	<p>Занадто велика відстань до об'єкту, що оброблюється. Використовується занадто багато лакофарбового матеріалу.</p>	<p>Зменшити дистанцію розпилення. Повернути регулювальний гвинт матеріалу вліво (-).</p>

ДЕКЛАРАЦІЯ ЄС ПРО ВІДПОВІДНІСТЬ

Ми з усією відповідальністю заявляємо, що цей електричний пістолет-розпилувач PLD3112B 600W задовольняє вказані нижче стандарти та нормативні документи.

Партія №: **208994070420**

Директива ЄС про механічне обладнання: 2006/42/ЄС
Директива про електромагнітну сумісність 2014/30/EU
Директива ROHS (ЄС) 2015/863, яка змінює до Директиви 2011/65/EU

і відповідає таким нормам:
EN 60745-1:2009/A11:2010
EN 50580:2012/A1:2013
EN 55014-1:2017
EN55014-2:2015
EN61000-3-2:2014
EN61000-3-3:2013
EN IEC 61000-3-2:2019
EN 61000-3-3:2013/A1:2019
IEC 62321-3-1:2013
IEC 62321-4:2013
IEC 62321-5:2013
IEC 62321-6:2015
IEC 62321-7-1:2015
IEC 62321-7-2:2017
IEC 62321-8:2017

Дві останні цифри року присвоєння маркування CE: **20**

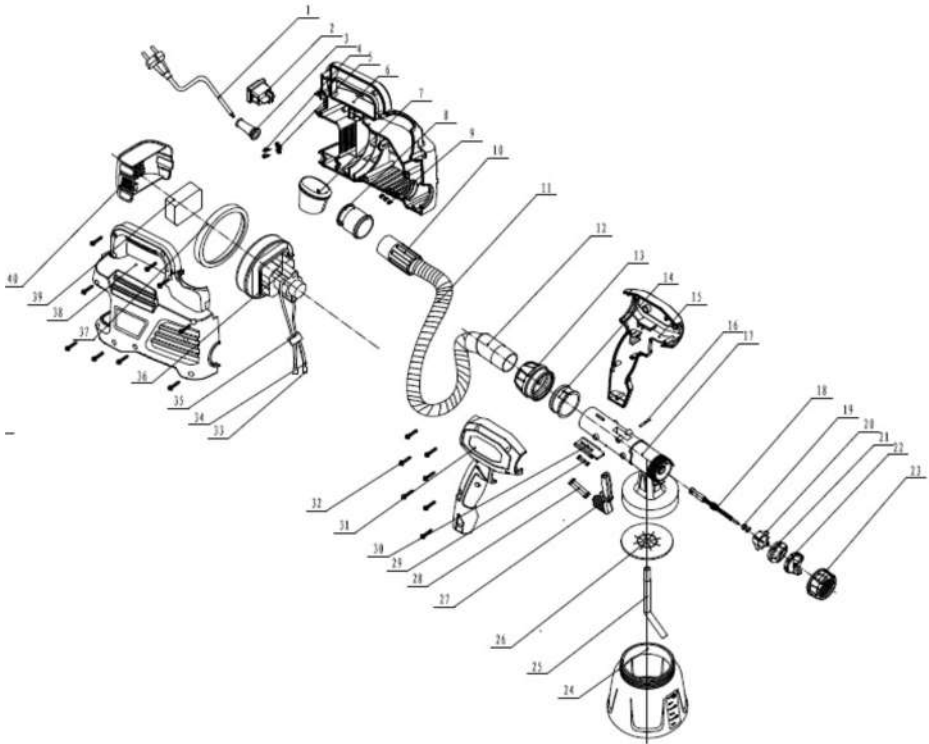
Підписано в Шанхаї 10/01/2020

Річі ПЕРМАЛЬ



Керівник із якості постачальників

Уповноважений представник Жюльєна Ледена, керівника з якості ADEO
ADEO Services, 135 Rue Sadi Carnot – CS 00001 59790 RONCHIN – France (Франція)



ГАРАНТІЯ

1. Вироби компанії Dexter Power розроблені за найвищими стандартами якості DIY і компанія надає 24-місячну (від дати придбання) гарантію на свої вироби. Ця гарантія стосується всіх дефектів матеріалу та виробництва, які можуть бути виявлені. Жодні інші претензії будь-якого характеру, як прямі, так і непрямі, які стосуються людей та/або матеріалів, не приймаються. Продукція Dexter Power не призначена для професійного використання.
2. У разі виникнення проблеми або виявлення дефекту необхідно спершу звернутися до дилера Dexter Power. У більшості випадків саме він зможе вирішити проблему чи усунути дефект.
3. Ремонт чи заміна частин не подовжують початкового гарантійного терміну.
4. Гарантія не поширюється на дефекти, які виникли внаслідок неналежного використання чи зносу. Серед іншого це стосується зношення вимикачів, захисних вимикачів і моторів.
5. Вимоги за гарантією розглядаються лише за таких умов:
 - . Наявне підтвердження дати придбання у вигляді квитанції.
 - . Жодні сторонні особи не проводили ремонту та/або заміни деталей.
 - . Інструмент використовувався належним чином (його не було перевантажено і на нього не було встановлено комплектуючих стороннього виробника).
 - . Відсутні пошкодження внаслідок дії зовнішніх факторів чи сторонніх предметів, зокрема піску чи каміння.
 - . Немає пошкоджень від недотримання правил безпеки та інструкцій щодо використання.
 - . Відсутні форс-мажорні обставини з нашого боку.
 - . Додається опис претензії.
6. Умови гарантії застосовуються в поєднанні з нашими умовами продажу й доставки.
7. Несправні інструменти, які підлягають поверненню до компанії Dexter Power через дилера Dexter Power, забирає компанія Dexter за умови належного упакування пристрою. Якщо повернення до компанії Dexter Power виконує покупець, компанія зможе виконати обслуговування таких товарів за умови, що покупець оплачує витрати на доставку.
8. Компанія Dexter Power не приймає продукцію, яку не було упаковано належним чином.



Электрлік
Сырлағыш пульт
HVLP 600 Вт
1000 мл/мин
PLD3112B

KZ Техникалық қауіпсіздік
және құқықтық нормалар
бойынша нұсқаулық



Атауы: Джеанг ПРУЛД Электрик КО., Лтд.
Мекенжайы: Индастри Дивелопмент Зон оф Сяошунь Таун, 321035, Цзинхуа Сити, Чжэцзян, Қытай.

Қытайда жасалған: 03/2020

Аталған тауардың сәйкестік сертификатының немесе сәйкестік декларациясының көшірмесін кез-келген Леруа Марлен Восток дүкендерінің анықтамалық үстелшелерінен алуға болады.
Тауар сапасына қатысты шағымдарды қабылдаушы: «Леруа Марлен Восток» ЖШС. -141031, Мәскеу облысы, Мытищи қ., Осташковское д. 1, РФ.

Жарамдылық мерзімі (ж): 5 жыл

Нұсқаулықтың шығу уақыты: 01/2020

Traduction de la version originale du mode d'emploi / Traducción de las Instrucciones originales / Tradução das Instruções Originais / Traduzione delle istruzioni originali / Μετάφραση των πρωτότυπων οδηγιών / Tłumaczenie instrukcji oryginalnej / Перевод оригинала инструкции / Переклад оригінальної інструкції / Traducerea instructiunilor originale / Original Instructions

EAC



Значение символов

	ПРЕДУПРЕЖДЕНИЕ. Прочитайте руководство по эксплуатации, чтобы уменьшить риск травмирования.
	Продукт соответствует действующим европейским директивам и был оценен в соответствии с ними.
	Класс безопасности II
	Не утилизируйте электрическое оборудование вместе с бытовыми отходами.
	Единый знак обращения продукции на рынке государств- членов Таможенного союза
	Бұл өнім қайта өңдеуге келеді. Оны әрі қолдануға болмайтын жағдайда, оны қайта өңдейтін орталыққа тапсыруыңызды өтінеміз



ЕСКЕРТУ. Құрылғымен жұмыс кезіндегі қауіпсіздік ережелері мен нұсқаулықтарының барлығын мұқият оқып шығыңыз. Аталған нұсқаулықтарды сақтаңыз.

ЭЛЕКТР ҚҰРАЛДАРЫМЕН ЖҰМЫС КЕЗІНДЕГІ ҚАУІПСІЗДІК БОЙЫНША ЖАЛПЫ ЕСКЕРТУЛЕР



ЕСКЕРТУ. Техникалық қауіпсіздік бойынша барлық ескертулер мен нұсқаулықтарды оқыңыз. Төменде баяндалған нұсқаулықтар мен ескертулерді орындамау электр тоғынан жарақаттануға, өртке және (немесе) ауыр жарақаттарға соқтыруы мүмкін.

Барлық ескертулер мен нұсқауларды келешекте пайдалану үшін сақтаңыз. Ескертулердегі «электр құралы» термині желіге қосылған электр құралы (кабель арқылы) немесе аккумуляторға қосылған электр құралы (кабелсіз) дегенді білдіреді.

1) Жұмыс аймағының қауіпсіздігі

- a) Жұмыс орнының таза және жарық болуын қамтамасыз етіңіз. Шашылған және әлсіз жарықтандырылған жерлер жазатайым жағдайларға себеп болуы мүмкін.
- b) Электр құралдарын жарылу қаупі бар жерлерде, мәселен жанғыш сұйықтықтар, газдар және шаңдарға жақын жерлерде пайдаланбаңыз. Электр құралы шаң-тозаңды немесе буларды тұтандыратын ұшқындар шығарады.
- c) Балалар мен бөгде адамдардың жұмыс істеп тұрған электр аспабының жанында тұруға жол бермеңіз. Алаңдатушы факторлар бақылауды жоғалтуға әкелуі мүмкін.

2) Электротехникалық қауіпсіздік

- a) Электроқұралдың сүңгімесі розеткаға сәйкес келуі керек. Сүңгімені ешқашан қайта жасамаңыз. Құралдарға арналған жерге тұйықталуы бар жалғастырғыш тетіктерді пайдаланбаңыз. Түпнұсқа сүңгіме мен оған сәйкес розетканы қолдану электр тоғынан зақым алу қаупін азайтады.
- b) Жерге тұйықталған түтік, радиаторлар, пештер мен тоңазтқыштар сияқты нысандарға тигізуден абай болыңыз. Дене жерге тұйықталғанда электр тоғымен зақымдану қаупі жоғары болады.

- с) Электр құрылғыны жауын немесе ылғалдың әсеріне ұшыратпаңыз.** *Электр құрылғыға су тиген жағдайда электр тоғымен зақымдану қаупі артады.*
- д) Кабелмен жұмыс жасауда ұқыпты болыңыз.** *Еш уақытта кабель арқылы сүйреп тасымалдамаңыз, тартпаңыз және электр құралын өшірмеңіз. Кабелді жылу көздерінің, майдан, өткір заттардан және қозғалмалы бөліктердің жанында қалдырмаңыз. Кабелдің зақымдануы және шиеленісуі де электр тогына түсу қаупін жоғарылатады.*
- е) Үй-жайдан тыс жерде ылғалдылығы жоғары жағдайда электр құрылғымен жұмыс жасауға тура келсе, осыған арналған ұзартқыш кабелді пайдаланыңыз.** *Үй-жайдан тыс жерде қолдануға сәйкес болатын кабелді пайдалану электр тоғынан зақым алу қаупін азайтады.*
- ф) Егер электр құралын ылғал жерде қолдану қажет болған жағдайда, оны қорғаныстық ажырату құрылғысы (ҚАҚ) арқылы қосыңыз.** *ҚАҚ-ны қолдану электр тогына түсу қаупін төмендетеді.*

3) Жеке бас қауіпсіздігі

- а) Электр құралын пайдалануда мұқият болыңыз, өз әрекеттеріңізді қадағалап, сау күйде жұмыс істеңіз.** *Егер сіз шаршап немесе есірткінің, алкогольдің, медициналық дәрілердің әсерінде болсаңыз электр құралдарын пайдаланбаңыз. Электр құралымен жұмыс кезіндегі тіпті сәл ғана алаңдаушылық ауыр жарақаттарға соқтыруы мүмкін.*
- б) Қорғаныс құралдарын пайдаланыңыз.** *Үнемі көзге арналған қорғаныс құралдарды қолданыңыз. Шаңға қарсы маска, тайғанамайтын қорғаныс аяқ киімі, каска және есту мүшелерін қорғауға арналған қорғаныс заттары жарақаттану қаупін азайтады.*
- с) Тосыннан қосуға жол бермеңіз. Құрылғыны желіге қосу алдында ажыратқыштың ажырату қалпында тұрғанына көз жеткізіңіз.** *Электр құралының орнын ауыстыру кезінде ажыратқышқа саусағыңызды тигізбеңіз және егер электр құралы қосылып тұрса сүңгімені розеткаға қоспаңыз. Бұл оқыс жағдайларға әкелуі мүмкін.*
- д) Электр құралын қосар алдында күйге келтіруші құрылғыларды немесе сомынды бұрайтын кілттерді алып тастаңыз.** *Күйге келтіруші құрылғылардың немесе сомынды бұрайтын кілттердің электр құралдарының айналмалы бөліктерінде қалып қоюы жарақатқа себеп болуы мүмкін.*

е) Қатты күш жұмсамаңыз. Үнемі тұрақты күйіңіз бен тепе теңдігіңізді сақтаңыз. Бұл күтпеген жағдайлар кезінде электр құралын дұрыс басқаруға септігін тигізеді.

ф) Ыңғайлы киініңіз. Кең киім кимеңіз, сәндік бұйымдар тақпаңыз. Шашыңызды, киіміңіз бен қолғаптарыңызды қозғалатын бөліктерден алысырақ ұстаңыз. Кең киім, сәндік бұйымдар, ұзын шаштар қозғалмалы бөліктерге түсіп кетуі мүмкін.

г) Шаңды жинауға арналған құрылғылар бар болған жағдайда олардың қосылып әрі дұрыс жұмыс жасап тұрғанына көз жеткізіңіз. Бұл құрылғыларды қолдану шаң әсерінен болатын зиянды азайтады.

4) Электр құралдарының қолданылуы мен қызмет көрсетілуі

а) Электр құралдарына шектен тыс күш салмаңыз. Өзіңіздің жағдайыңызға лайық электр құралдарын пайдаланыңыз. Дұрыс таңдалған электр құралы номиналды жүктемесінде тиімді және қауіпсіз болады.

б) Егер электр құралының ажыратқышы жарамсыз болса қолданбаңыз. Ажыратқышы жарамсыз электр құралы қауіпті және жөндеуді қажет етеді.

с) Қалып күйге келтіру, бөлшектерді ауыстыру немесе сақтау алдында электр құралын қуаттан ажыратыңыз және шүмек пен саймандардың толық сууын күтіңіз. Бұндай сақтық шаралары электр құралының кездейсоқ іске қосылып кетуінен сақтайды.

д) Қолданылмай тұрған электр құралдарын балалардың қолы жетпейтін жерде сақтаңыз және құралды бұрын-соңды қолданбаған және нұсқаулықпен таныс емес адамдарға сеніп тапсырмаңыз. Даярлығы жоқ қолданушының қолындағы құрылғы қауіпті.

е) Электр құралдарына техникалық қызметтер көрсетіңіз. Қозғалмалы бөлшектердің туралығы мен тегістігін, электр құралының жұмысына әсер ететін ақауларының жоқ екеніне көз жеткізіңіз. Егер электр құралы зақымданған болса, қолданар алдында оны жөндеуден өткізу қажет. Электр құралының күтіміне дұрыс көңіл бөлеу көптеген оқыс жағдайлардың себебі болып табылады.

ф) Кесу құралдарын тазалықта, әрі қайраулы күйде ұстаңыз. Дұрыс қызмет көрсетілген және жақсы қайралған кесу құралдары аз сыналанып қалады және жақсы бақыланады.

г) Электр құралын, бөлшектер мен қондырғыларды жұмыстың шарттары мен ерекшеліктерін ескере отырып нұсқаулыққа сәйкес қолданыңыз. *Электр құралдарын алдын ала ойластырылмаған операцияларды орындауда пайдалану қауіпті жағдайларды тудыруы мүмкін.*

5) ЖӨНДЕУ

а) Электр құралдарына жөндеуді тек арнайы мамандар тек ұқсас бөлшектерді пайдалануы арқылы жүргізіуі керек. *Бұл электр құралдарының жұмысын қауіпсіз етеді.*

б) Бүріккішпен жұмыс кезіндегі техникалық қауіпсіздіктің қосымша ережелері

а) Құрылғыны тездұтанғыш материалдарды шашу үшін қолданбаңыз.

б) Шашатын материалдармен жұмыс кезінде абай болыңыз және контейнердгі маркировкаларымен танысыңыз немесе өндірушіден қажетті ақпараттарды алыңыз.

с) Қолдану қауіпсіз белгісіз материалдармен жұмыс істемеңіз.

д) Бүрку кезінде әрдайым респиратор қолданыңыз.

е) Құрылғымен жұмыс кезінде көзді қорғау құралдарын қолдануға кеңес беріледі.

ф) Құрылғыны тездұтанғыш еріткіштердің көмегімен тазаламаңыз.

г) Ескерту! Реттеу немесе қызмет көрсетудің алдында сүңгімені розеткадан суырыңыз.

х) Егер қуат кабелі ақауланса, оны алмастыру үшін сервистік орталыққа жүгініңіз.

и) Көмір шөткілерін ауыстыру қажет болса, оны жөндеу бойынша білікті маман жасауы қажет (екі шөткені бірге ауыстырыңыз).



PLD3112B моделіне арналған техникалық қауіпсіздік нұсқаулықтары

1) Техникалық қауіпсіздік және пайдалану бойынша нұсқаулықтарды мұқият оқып шығыңыз.

2) Тұтану температурасы 21 °С және одан жоғары (Ұлыбританияда 32 °С-тан жоғары) болатын бояулар, эмальдар, лактар сияқты материалдарды ғана

3) Қосымша қыздырусыз бүркі алады. Германияда мұндай материалдар А II және А III қауіпсіздік тобына жатқызылады, Құтыдағы белгісіне қараңыз.

4) Жарылыс қаупі ережелері таралатын жұмыс орындарында құрылғыны қолданбаңыз.

Бүркі кезінде жұмыс аумағында ашық от, темекі сигара мен трубкалар, ұшқындар, қыздырылған сымдар, ыстық үстіңгі беттер сияқты тұтану көздері жоқ ееніне сенімді болыңыз.

5) Жұмыс езінде рспираторды қолдануға кеңес беріледі.

6) Назар аударыңыз! Жарқат алу қаупі бар! Тапанша-бүріккішті өзіңізге, басқа да адамдар мен жануарларға бағыттамаңыз.



7) PLD3112B құрылғысымен үй-жайда немесе одан тыс жұмыс кезінде еріткіш буларын құрылғының сорып алмауын қадағалаңыз.

8) Ашақ аспан астында қолдану кезінде жедің бағытын ескеріңіз. Үй-жайдың ішінде қолданған кезде тиісті желдетудің болуын қамтамасыз етіңіз.

9) Құрылғыға бүркімеңіз.

10) Дұрыс жалғанған ауа құбышегінде құрылғыға шашыраудан қорғауға ие.

11) Құрылғымен балалардың ойнамауын қадағалаңыз. Балалардың қолы жетпейтін жерде сақтаңыз.

12) Қуат кабелін ақаулап алмау үшін абайлап жұмыс жасаңыз. Ақауланған болса, құрылғыны авторизацияланған сервистік қызмет орталығына кабелін ауыстыруға апарыңыз.

13) Құрылғы пайдаланылмайтын кезде қуат кабелін электр желісі розеткасынан суырыңыз.

14) Құрылғының электрік бөліктері тек авторизацияланған сервистік қызмет орталықтарында ғана жүргізілуі тиіс.

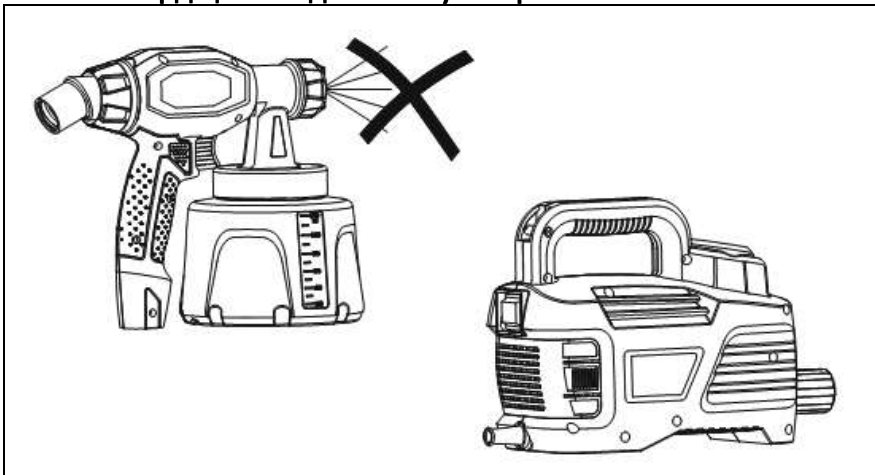
15) Құрылғыны тесттұтанғыш материалдарды шашу үшін қолданбаңыз.

16) Құрылғыны тесттұтанғыш еріткіштердің көмегімен тазаламаңыз.

17) Бүркілетін сұйықтықтан сақтану шараларын орындаңыз және сұйықтықты өндірушінің нұсқаулары бойынша жүріңіз.


- 18) Қолдану қаупі белгісіз материалдармен жұмыс істемеңіз.
- 19) Жұмыс аумағының тазалығы мен жарық болуын қамтамасыз етіңіз.
- 20) Құрылғыны жанғыш сұйықтырдың, газдар мен тозаңдардың жаны сияқты жарылыс қаупі бар жерлерге қолданбаңыз.
- 21) Балалар мен бөгде адамдардың жұмыс істеп тұрған құрылғы жанында болуына жол бермеңіз.
- 22) Электроқұралдың сүңгімесі розеткаға сәйкес келуі тиіс. Сүңгімені ешқашан қайта жасамаңыз. Құралдарға арналған жерге тұйықталуы бар жалғастырғыш тетіктерді пайдаланбаңыз.
- 23) Жерге тұйықталған түтік, радиаторлар, пештер мен тоңазтқыштар сияқты нысандарға тигізуден абай болыңыз.
- 24) Электр құрылғыны жауын немесе ылғалдың әсеріне ұшыратпаңыз.
- 25) Кабелмен жұмыс жасауда ұқыпты болыңыз. Еш уақытта кабель арқылы сүйреп тасымалдамаңыз, тартпаңыз және электр құралын өшірмеңіз. Кабелді жылу көздерінің, майдан, өткір заттардан және қозғалмалы бөліктердің жанында қалдырмаңыз.
- 26) Үй-жайдан тыс жерде электроқұрылғымен жұмыс жасауға тура келсе, осыған арналған ұзартқыш кабелді пайдаланыңыз.
- 27) Электр құралын пайдалануда мұқият болыңыз, өз әрекеттеріңізді қадағалап, сау күйде жұмыс істеңіз. Егер сіз шаршап немесе есірткінің, алкогольдің, медициналық дәрілердің әсерінде болсаңыз электр құралдарын пайдаланбаңыз.
- 28) Жеке қорғаныс құралдарын пайдаланыңыз. Үнемі көзге арналған қорғаныс құралдарды қолданыңыз.
- 29) Тосыннан қосуға жол бермеңіз. Құрылғыны желіге қосу алдында ажыратқыштың ажырату қалпында тұрғанына көз жеткізіңіз.
- 30) Электр құралын қосар алдында күйге келтіруші құрылғыларды немесе сомынды бұрайтын кілттерді алып тастаңыз.
- 31) Тартылмаңыз. Үнемі тұрақты күйіңіз бен тепе теңдігіңізді сақтаңыз. Бұл күтпеген жағдайлар кезінде электр құралын дұрыс басқаруға септігін тигізеді.
- 32) Ыңғайлы киініңіз. Кең киім кимеңіз, сәндік бұйымдар тақпаңыз. Шашыңызды, киіміңіз бен қолғаптарыңызды қозғалатын бөліктерден алысырақ ұстаңыз.
- 33) Шаңды жинауға арналған құрылғылар бар болған жағдайда олардың қосылып, әрі дұрыс жұмыс жасап тұрғанына көз жеткізіңіз.

- 34)Электр құралдарына шектен тыс күш салмаңыз. Өзіңіздің жағдайыңызға лайық электр құралдарын пайдаланыңыз.
- 35)Егер электр құралының ажыратқышы жарамсыз болса қолданбаңыз.
- 36)Қалып күйге келтіру, бөлшектерді ауыстыру немесе сақтау алдында электр құралын қуаттан ажыратыңыз.
- 37)Қолданылмай тұрған электр құралдарын балалардың қолы жетпейтін жерде сақтаңыз және құралды бұрын-соңды қолданбаған және нұсқаулықпен таныс емес адамдарға сеніп тапсырмаңыз.
- 38)Электр құралдарына техникалық қызметтер көрсетіңіз. Қозғалмалы бөлшектердің туралығы мен тегістігін, электр құралының жұмысына әсер ететін ақауларының жоқ екеніне көз жеткізіңіз. Егер электр құралы зақымданған болса, қолданар алдында оны жөндеуден өткізіңіз.
- 39)Электр құралын, бөлшектер мен қондырғыларды жұмыстың шарттары мен ерекшеліктерін ескере отырып нұсқаулыққа сәйкес қолданыңыз.
- 40)Электр құралдарын жөндеу тек білікті тұлғалармен тек ұқсас бөлшектерді пайдалануы арқылы жүргізілуі керек.
- 41)Қалыпты бүрку кезінде қозғалтқыш тапаншаның бастиегі мен контейердің астында болмауы керек.**



- 42)Ешқашан да қозғалтқыштың қақпағына және т.б. сұйықтық бүркімеңіз.

ТЕХНИКАЛЫҚ СИПАТТАМАЛАРЫ PLD3112B

Макс. тұтқырлығы	60 дина-секунд
Кернеу	220-240 В айнымалы ток, 50Гц
Тұтынатын Қуат	600 Вт
Қорғаныс класы	IP 23
Ауаның макс. Кері қысымы	0,1–0,3 бар
Қос оқшаулау	
Қуат кабелі	1,8 м
Дыбыстық қысым деңгейі	80,9 дБ (А) (қателігі К = 3 дБ (А))
Дыбыстық қуат деңгейі	91,9 дБ (А) (қателігі К = 3 дБ (А))
Тербеліс деңгейі	<0,25 м/с ² (қателігі К = 1,5 м/с ²)
Ауа құбыршегінің ұзындығы	1,8 м
Контейнердің көлемі	900 мл
Қондырманың өлшемі	∅2,5 мм
Салмағы	2,5 кг

Жүйенің сипаттамасы

Құрылғының жұмысы төменгі қысымды пайдаланатын бүрку техникасына негізделген. Ауаны үлкен көлемі төмен қысыммен шығатын ағынды қоршаулайды. Ауа бастиегі төменгі деңгейдегі тұан қалыпастырумен өте кіші тозаңданыра шашуды қатамасыз етеді. Қапмама материалы тез және нақты жағылады.

Бұдан басқа ауа ағыны қапмама материалының кебуін жылдамдатады. Бұл бүркүдің қаптама материалын үнемдеу, соның салдарынан да қоршан ортаға зиянсыз болатын оңтайлы нәтижеге қол жеткізуге мүмкіндік береді.

Қызметтерінің сипаттмасы

Қозғалтқыштың ауа тартқышы ауа құбыршегі арқылы тапанша-бүріккішке баратын

ауа ағынын қалыптастырады. Ауа ағыны шүмекте қаптама материалын майдалайды және контейнерде қысым қалыптастырады. Бұл қысым материалды қысым түтігі арқылы шүмекке итереді. Ауа ағының баптаулары мен қысым біртіндеп қалыпты күйге келтіріледі.

Пайдалануға жарамды қаптама материалдары

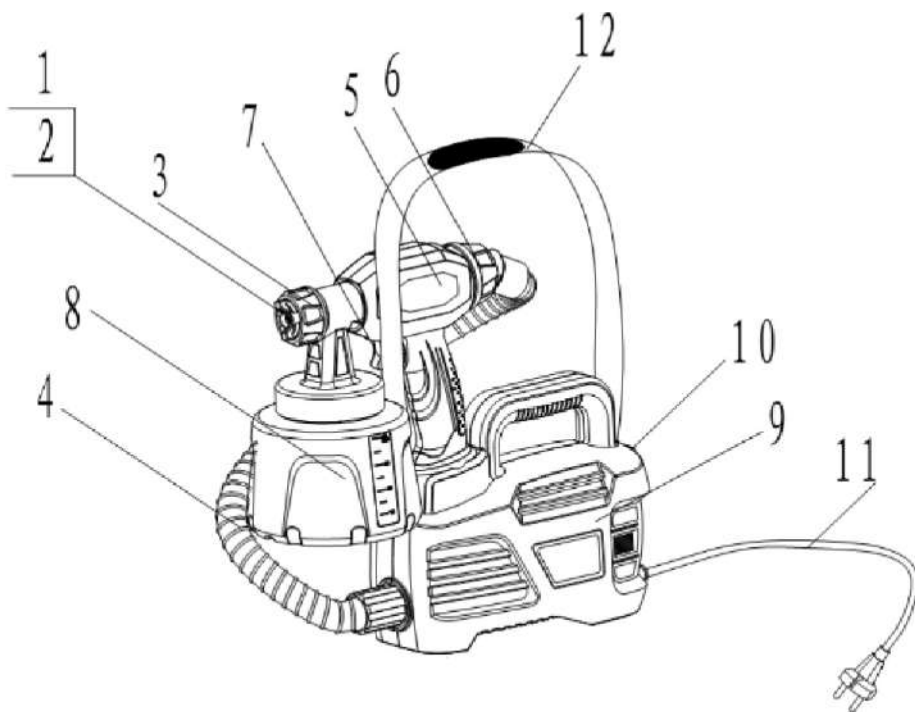
Суэмульциялы бояу, ерітінді негізіндегі бояу, эмульциялы бояу, лак, төсеме бояу, екіқұрамды бояу.

Мөлдір қаптамалар, автокөлік қаптамалары, тұмшалаушы бояу материалдары және ағашқа арналған антисептикалық төсемелер

Пайдалануға жарамсыз қаптама материалдары

Құрамында абразивті заттар бар материалдар, қасбеттік бояу, тұмшалаушы материалдар, сілтілі еріткіштер мен қышқылды қаптамалар.

21 °С-тан төменгі температурада жанатын қаптама материалдары



Түсініктеме сызбасы PLD3112B

- | | |
|--------------------------------|-------------------------------|
| 1. Ауа бастиегі | 7. Шүріппе |
| 2. Қондырма | 8. Контейнер |
| 3. Салмалы сомын | 9. Қозғалтқыштың ауа үрлеуіші |
| 4. Ауа құбыршегі | 10. Қуатты ажыратқыш |
| 5. Тапанша-бүріккіш | 11. Қуат кабелі |
| 6. Материалды реттеу бұрандасы | 12. Белбеу |

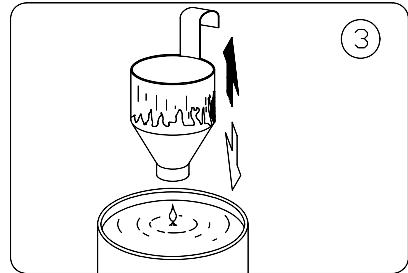
Бүркілетін материалды даярлау

Әдетте бүркілетін материалды сұйылту туралы ақпарат материалдың таңбаламасында жазылмайды.

Осы себепті қаптама материалдарының тұтқырлық кестесін қолданыңыз.

Тұтқырлықты вискозиметрдің көмегімен өлшеу

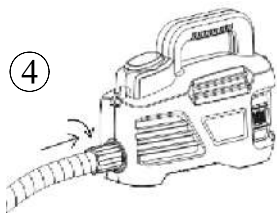
1. Тұтқырлықты өлшеудің алдында бүркілетін материалды мұқият араластырыңыз.
2. Вискозиметрді мойнына дейін толық батырыңыз (көлемі 100см^3) және толуын күтіңіз.
3. Вискозиметрді көтеріңіз және сұйықтықтың толық ағып бітуін секундпен есептеңіз



Бұл ағу уақыты дино-секундтар деп аталады.

Тұтқырлық кестесін келесі беттен қараңыз.

Тұтқырлық	
Материал	Дино-секундттағы тұтқырлық
Еріткіші бар жылтыр бояулар	15-50
Төсеме	25-50
Морилка	сұйылтылмайды
Екіқұрамды бояулар	20-50
Таза лактар	15-40
Сумен сұйылтылатын таза лактар	20-40
Автокөлік эмальдары	20-40
Ағашты қорғау ққралдары	сұйытылмайды



1. Ауа құбыршегін құрылғыға бекітіңіз (4 сурет). Бағыттаушы штифі бар құбыршекті орнатыңыз. бекіту үшін бұраңыз.

Тапанша-бүріккіштің соңы (5 сурет). Ауа құбыршегін тапанша-бүріккіштің жалғағышына сенімді түрде бекітіңіз.

Іске қосу

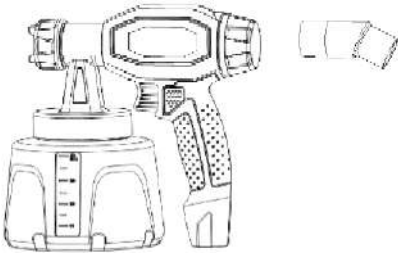
Құбыршек кез келген қалыпта жалғанады.

2. Тапанша-бүріккіштен контейнерді бұрап ажыратыңыз.

3. Қысым түтігін сәйкесінше түрде күйге келтіріңіз.

Материал контейнерде еш нәрсе қалмаған жағдайда да қалыпты бүркілуі тиіс.

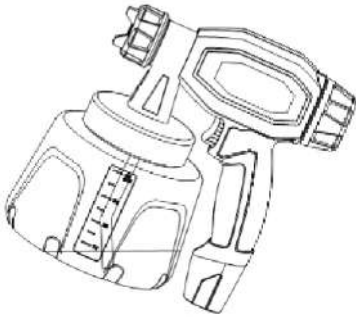
⑤



Тік бетке бүрку (7 сурет)

Қысым түтігін А алға қарай бұрыңыз.

⑥



Биік бетке бүрку (6 сурет)

Қысым түтігінің ұшын артқа қарай бұрыңыз.

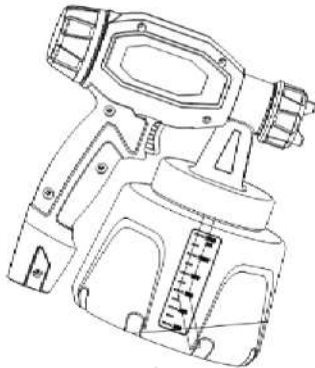
4. Контейнердің материалмен толтырыңыз.

Оны тапанша-бүріккішке сенімді бекітіңіз.

5. Тапанша-бүріккішті ұстауышқа орнатыңыз.

6. Құрылғыны таза және тегіс жерлерге қойыңыз. Құрылғы шаң, т.б. сорып алуы мүмкін.

⑦



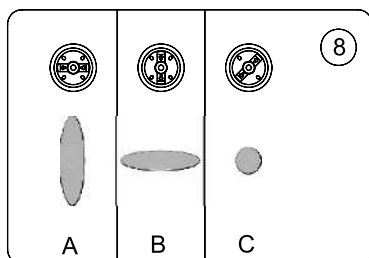
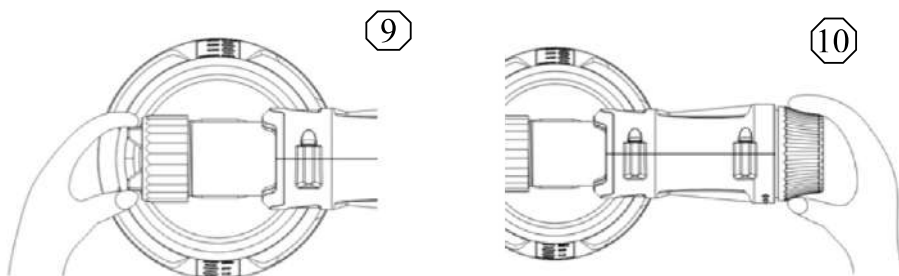
7. Қуат көзіне қоспастан бұрын, оның кернеуі құрылғының төлқұжат кестесінде көрсетілген мәніне сай келетінін тексеріңіз.

8. Тапанша-бүріккішті ұстауыштан алып өңделетін жерге бағыттаңыз.

9. Құрылғыны қуатты ажыратқыш арқылы қосыңыз.
10. Бүрку режимдері мен материал шығынын, ауа ағыны мен қысымды реттеңіз, 8-10 сурет пен 14 беттегі сипаттаманы қараңыз.
11. Бүркуді бастау үшін шүріппені басыңыз.

Ескертпе.

Құрылғы қосұлы кезде ауа бастүйінен ауа үнемі шығып тұрады.



Тапанаша-бүріккішті баптау

Бүрку режимдерін таңдау
 А = жазық тік ағын көлденең беттер үшін
 В = **көлденең ағын** тік беттер үшін

С = дөңгелек ағын бұрыштар, шеткі және басқа да қиын жерлер үшін

Таңдалған бүрку режимін орнату

Салмалы сомынды (3) бұрап босатыңыз және ауа бастиегін (1) таңдалған режимге бұрыңыз.

Назар аударыңыз!

Ауа бастиегінің қалпын баптау кезінде шүріппені ешқашан баспаңыз.

Материал шығындарын баптау

Баптаушы бұранданы бұрау арқылы материал шығынын орналастырыңыз.

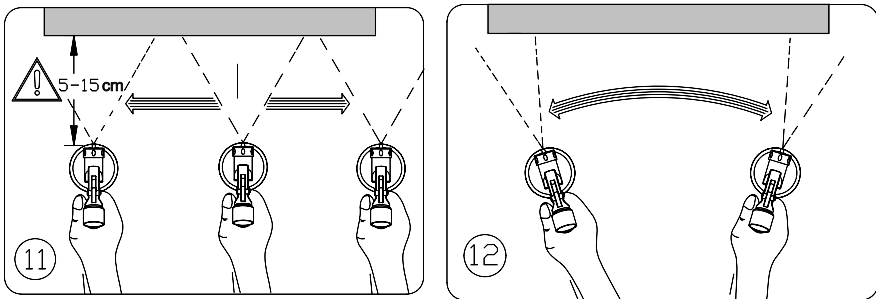
+ оңға бұраңыз – шығын көп

- солға бұрыңыз – шығын аз

Бүрку техникасы

Бүрку нәтижесі көп жағдайда жұмыс бас кезіндегі өңделетін жердің тазалығы мен тегістігіне байланысты болады. Сондықтан да өңделетін бетті дайындап тазалаңыз.

Өңдеу қажет емес беттерді жабысқақ лентамен немесе газетпен жабыңыз. Өңделетін жердегі бұрандалы қосылыстар мен сол сияқты объектілерді жабыңыз. Бүріккішті барынша толық баптау үшін катырма қағаз немесе сол сияқты бетке сынамалық тозаңдандыра шашып көруді ұсынамыз.



Маңызды! Бүркүді беттің ішкі жағынан бастаңыз және бір нүктеге ұзақ бүркімеңіз.

Дұрыс (11-сурет)

Құрылғыны өңделетін беттен әрдайым бірдей қашықтықта ұстаңыз (5-15 см)

шамасында). Бүріккішті таңдаған режимге орай беттің өн бойымен немесе жоғарыдан төмен қарай бірқалыпты және біркелкі ұстаңыз.

Дұрыс емес (12-сурет)

Бояудың көп мөлшерде болуы тұманның пайда болуына және беттің кедір-бұдыр болуына әкеледі.

Егер материал қондырмада (2) немесе ауа бастиегінде (1) жиналып қалса, оларды су немесе еріткіштің көмегімен тазалаңыз.

Жұмыстағы үзілстер

- құрылғыны өшіріңіз.
- Тапанша-бүріккішті ұстауышқа орнатыңыз.

Сөндіру мен тазалау

1. Құрылғыны сөндіріңіз. Материалды тапанша-бүріккіштен контейнерге түсіру үшін шүріппені басыңыз.
2. Контейнерді ашыңыз. Ондағы қалған материалды өз ыдысына құйыңыз.
3. Контейнер мен қысым түтігін шөткімен тазалаңыз
4. Контейнерді сумен немесе еріткішпен тазалаңыз.
Контейнерді орнына қайта бұраңыз.

Тұтану температурасы 21°C-тан асатын ерітінділерді пайдаланыңыз.

Құрылғыны қосып, ондағы ерітінді немесе суды сайкесінше контейнерге бүркіңіз.

Егер түтікше қолданылмаса, еріткіштің немесе судың белгілі бір бөлігі контейнерден ағып кетуі мүмкін.

Бұл ауаның үлкен көлемімен түсіндіріледі.

5. Жоғарыда сипатталған жұмыс рәсімін қондырмадан таза су немесе еріткіш шыққанша қайталаңыз.

- 6 Құрылғыны сөндіріңіз.
7. Контейнерді босатыңыз. Контейнердің нығыздаушысында бүркілген материалдың болмауын үнемі қадағалаңыз және оның ақаусыздығын тұрақты тексеріп тұрыңыз.
8. Тапанша-бүріккіштің сыртқы бөлігін еріткішке немесе суға малынған матамен тазалаңыз.
9. Салмалы сомынды бұрап шығарыңыз. Ауа бастиегін алыңыз. Ауа бастиегін шөткінің, су немесе еріткіштің көмегімен тазалаңыз.

Ескертпе

Тапанша-бүріккіштің қондырмасы мен ауа саңылауларын өткір металл заттармен ешқашан тазаламаңыз.

X типіндегі жазуы бар электр құралдары кабелін ауыстыруды талап етеді: егер құрылғының қуат кабелі ақауланса, оны ауыстыру үшін сервистік орталыққа жүгініңіз.

Ақауларды жою		
Мәселе	Себебі	Шешімі
Материал қондырма арқылы мүлде бүркілмейді.	Шүмек бітеліп қалған. Сорушы түтікше бітелген. Қысым түтігіндегі кішкентай тесік жабық. Материал шығынын реттеуші бұранда солға қарай тым қатты бұралған (-). Контейнерде қысым жоқ.	Тазалаңыз. Тазалаңыз. Тазалаңыз. Оңға бұраңыз(+) Түтікті тартыңыз Контейнерді бекітіңіз.
Материал қондырмадан ағады	Қондырма нашар бекітілген Қондырма ескірген Материал ауа бастиегінде жиналып қалған	Ауыстырыңыз Ауыстырыңыз Тазалаңыз

Мәселе	Себебі	Шешімі
<p>Материал тым қалың қабатпен жағылады</p>	<p>Материал тым тұтқыр Материалдың шығыны көп Материал шығынын реттеуші бұранда оңға қарай тым қатты бұралған (+) Контейнерде жеткілікті қысым жоқ</p>	<p>Сұйылтыңыз Материал шығынын реттейтін бұранданы солға бұраңыз (-) Солға бұраңыз (-) Тазалаңыз Ауыстырыңыз Контейнерді бекітіңіз</p>
<p>Бүркілетін материал ағыны бүлкілдейді</p>	<p>Контейнердегі материал бітуге жақын. Қысым түтігінде кішкентай тесік жабық. Ауа сүзгісі қатты ластанған</p>	<p>Толықтырыңыз Тазалаңыз Ауыстырыңыз</p>
<p>Материал тез шығындалады</p>	<p>Материал шығыны тым үлкен</p>	<p>Материал шығынын реттейтін бұранданы солға бұраңыз (-)</p>
<p>Бүркіде тұман көп (шашырау)</p>	<p>Бүркікеш пен өңделетін бет арасы тым қашық. Материал шығыны тым көп</p>	<p>Арақашықтығын қысқартыңыз. Материал шығынын реттейтін бұранданы солға бұраңыз (-)</p>

Сәйкесік сертификаты № TC RU-CN.МБ32.А.00422

**ЕС НОРМАЛАРЫНА СӘЙКЕСТІК ТУРАЛЫ
ДЕКЛАРАЦИЯ(ҰЛЫБРИТАНИЯ)**

Біз, Бұл ЭЛЕКТРЛІК БҮРІККІШ 600 ВТ PLD3112BT келесі стандарттар мен құжаттарға сәйкес екендігін бар жауапкершілікпен мәлімдейміз:

Партия нөмірі: **208994070420**

ЕС 2006/42ЕС директивалары

Электромагниттік үйлесімділік директивасы 2014\30\EU

Кейбір зиянды заттарды электрлік және электрондық құрылғыларда
ROHS директивасы(EO)2015/863, 2011/65/EU директивасына өзгертілді

Стандарттарға сәйкес:

EN 60745-1:2009/A11:2010

EN 50580:2012/A1:2013

EN 55014-1:2017

EN55014-2:2015

EN61000-3-2:2014

EN61000-3-3:2013

EN IEC 61000-3-2:2019

EN 61000-3-3:2013/A1:2019

IEC 62321-3-1:2013

IEC 62321-4:2013

IEC 62321-5:2013

IEC 62321-6:2015

IEC 62321-7-1:2015

IEC 62321-7-2:2017

IEC 62321-8:2017

Соңғы екі сан CE маркировкасы берілген жылды білдіреді: **20**

Шанхайда 10/01/2020 қол қойылған

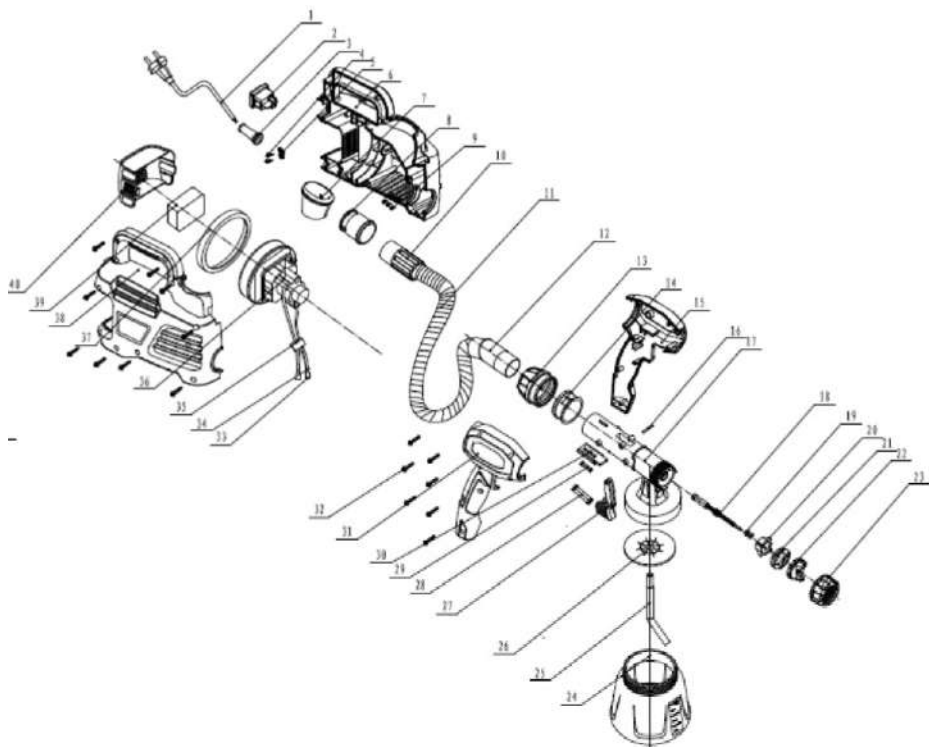
Richie PERMAL

Сапа жөніндегі басшы

Julien Ledin өкілетті тұлғасы, ADEO сапажөніндегі басшысы

ADEO Services 135 Rue Sadi Carnot - CS 00001 59790RONCHIN – Франция





КЕПІЛДІК

1. PRACTYL компаниясының өнімі жоғары дәрежелі стандарттарға сәйкес жасалды. PRACTYL компаниясы өз өніміне LM RUSSIA үшін 12 ай, LM ROMANIA 24 ай кепілдік береді. Бұл кепілдік барлық болуы мүмкін материал мен өндіріс ақауларына беріледі. Басқа адамға немесе материалдарға қатысты кез-келген тікелей немесе жанама шағымдар қанағаттандырылмайды. PRACTYL өнімі арнайы кәсіптік қолданысқа арналмаған.

2. Мәселелер мен ақаулардың туындауы жағдайында ең алдымен PRACTYL компаниясының дилеріне жүгіну қажет. Көп жағдайда PRACTYL компаниясының дилері мәселені шешіп немесе ақауды жөндей алады.

3. Жөндеу мен бөлшектерді ауыстыру кепілдіктің алғашқы уақытын соза алмайды.

4. Кепілдік тоздыру мен дұрыс жұмыс жасамау салдарынан болған ақауларға берілмейді. Бұлардың қатарына ажыратқыштың, қорғаныс шынжырлары мен қозғалқыштардың тозуы жатады.

5. Кепілдік міндеттемелеріне байланысты шағымдар келесідегідей шарттар шеңберінде ғана қабылданады:

- Сатып алынған күні чек түрінде расталған.
- Басқа тұлғалармен ешқандай жөндеу немесе бөлшектерді ауыстыру жүргізілмеген.
- Құрылғы дұрыс пайдаланылған (қысым болмаған және оған басқа өнімдер арқылы толықтырулар енгізілмеген)
- Сыртқы әсер ету салдарынан, мәселен құм немесе тастан зақымдану болмаған.
- Техникалық қауіпсіздік және қолдану ережесі сақталмау нәтижесінен болған ақаулары жоқ.
- Біздің тарапымыздан болатын күтпеген жағдайлары жоқ.
- Шағымға сипаттама берілген.

6. Кепілдік бойынша қызмет көрсету шарттары біздің сату және жеткізу ережелерімізбен бірге қолданылады.

7. PRACTYL компаниясына тиесілі PRACTYL дилері арқылы қайтарылған жарамсыз өнімдерді PRACTYL компаниясы өнімнің қорабымен бірге ғана қабылдайды. Егер тұтынушы PRACTYL компаниясына тауарды тікелей қайтарса, PRACTYL компаниясы бұндай тауарларға жол шығындарын тұтынушы өтеген жағдайда ғана қызмет көрсете алады.

8. PRACTYL компаниясы дұрыс қапталмаған өнімдерді қабылдамайды.

