

### Features

- 4 Riverjets and 8 hydromassage jets can be individually adjusted for water flow and direction.
- 2 variable-speed pumps for adjusting massage intensity.
- Built-in heater.
- Lighted keypad.
- Floating remote control.
- Integral fill with factory-installed faucet valves.
- Spacious design accommodates multiple bathers.
- Drilled for grab bars (required); sold separately.
- Jet trim kit (required); sold separately.
- Three pillows provide extra comfort.

### Material

- Acrylic.

### Hydrotherapy

- RiverBath Whirlpool.

### Installation

- Drop-in.

### Required Products/Accessories

K-9398 Whirlpool Trim Kit  
K-9669 Hand Grab Bars  
K-T9540-4 Transfer Valve Trim

### Recommended Products/Accessories

K-7167 Clearflo Bath Drain  
K-23726 Drain treatment  
K-23732 Tub & shower cleaner



### Codes/Standards

ASME A112.19.7/CSA B45.10  
CSA B45.5/IAPMO Z124  
ASTM E162  
ASTM E662  
UL 1795  
CSA C22.2 No. 218.2



**KOHLER® Plastic Baths and Receptors  
Lifetime Limited Warranty  
KOHLER® Hydrotherapy Components  
Five-Year Limited Warranty**

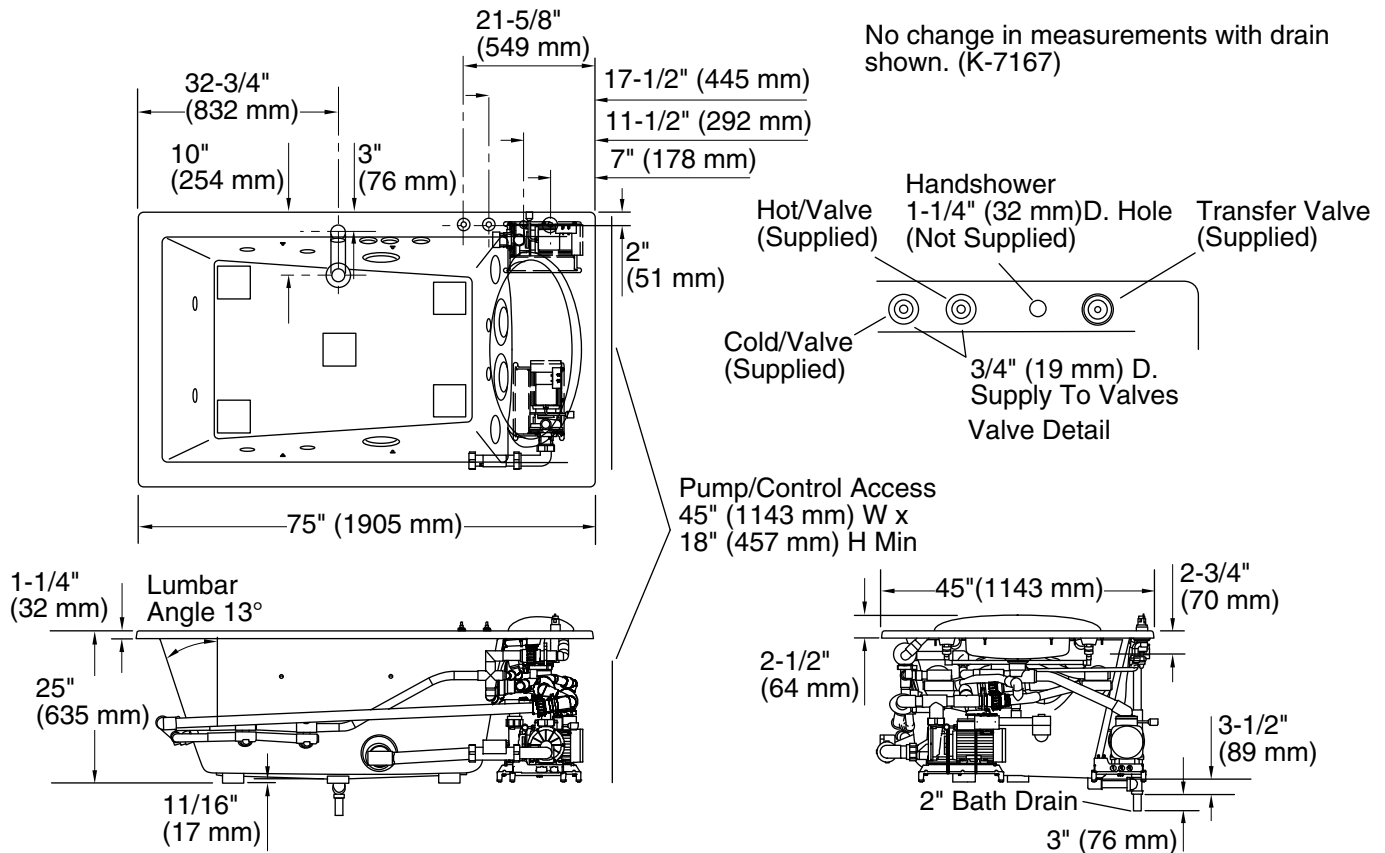
See website for detailed warranty information.

### Available Colors/Finishes

*Color tiles intended for reference only.*

#### Color Code Description

	0	White
	96	Biscuit



### Required Electrical Service

Two dedicated circuits required, protected with Class A Ground-Fault Circuit-Interrupter (GFCI). Outside North America, this device may be known as a Residual Current Device (RCD).

Pump, Pump: 240 V, 20 A, 50/60 Hz  
Heater: 240 V, 20 A, 50/60 Hz

### Technical Information

All product dimensions are nominal.

Installation: Drop-in  
Drain location: Center  
Basin area, bottom: 46" x 34" (1168 mm x 864 mm)  
Basin area, top: 57" x 37" (1448 mm x 940 mm)  
Weight: 215 lbs (97.5 kg)  
Minimum floor load: 62 lbs/ft<sup>2</sup> (302.7 kg/m<sup>2</sup>)  
Water depth: 20" (508 mm)  
Water capacity: 149 gal (564 L)  
Template: Drop-in, 1000153-7, required, included  
Electrical component rating: Pump: 240 V, 9 A, 50/60 Hz  
Pump: 240 V, 9 A, 50/60 Hz  
Heater: 240 V, 17 A, 50/60 Hz, 4000 W  
Pump speed: Variable

### Notes

Measure your actual product for rough-in details. Install this product according to the installation instructions.

The hot water supply should be 70% of the capacity of the bath or greater. Installations will vary.

Consult local and national codes for minimum air gap requirements when installing a spout on the faucet deck other than that supplied.