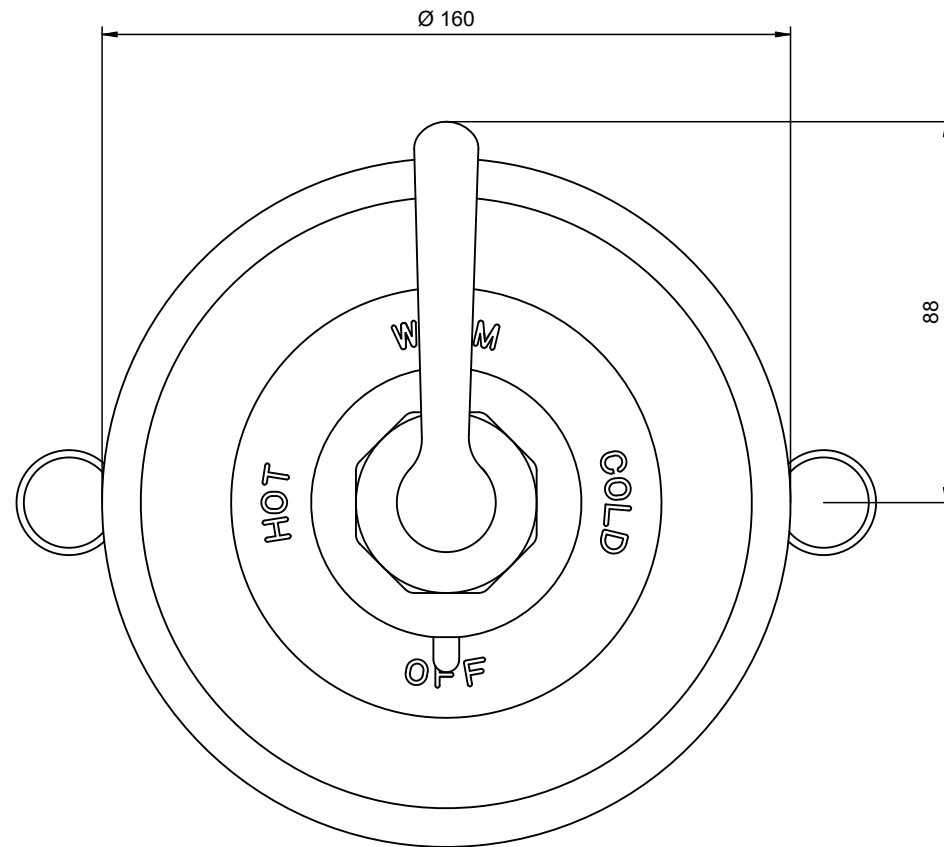
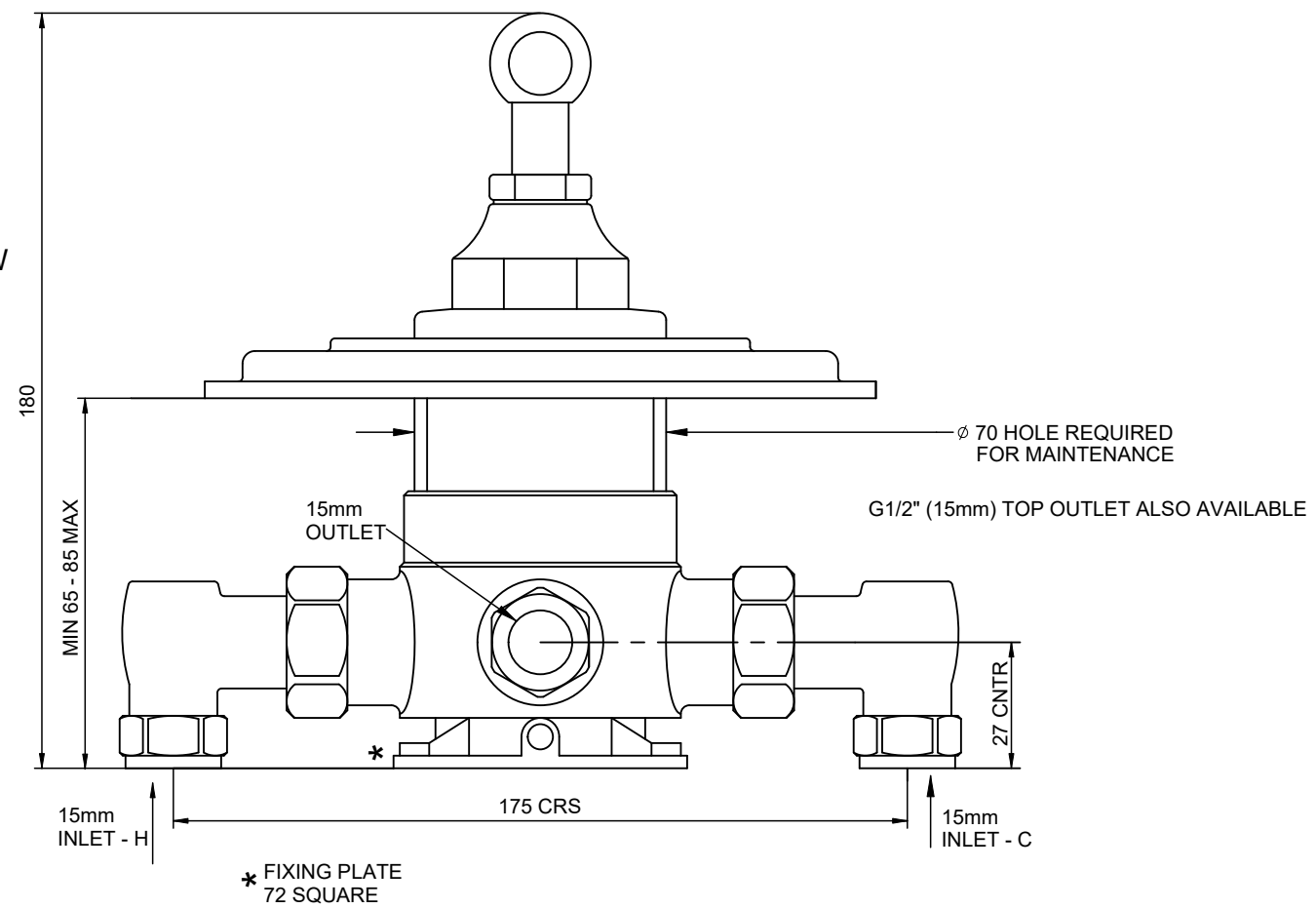


FRONT VIEW



BOTTOM VIEW



PLEASE NOTE THE MEASUREMENTS GIVEN ARE A GUIDE ONLY.

UNLESS OTHERWISE SPECIFIED
DIMENSIONS ARE IN MILLIMETERS

BILL-1843OML - Concealed Thermostatic Mixer - Lever