

### Features

- Handshower features transitional design, inspired by nature.
- Advanced spray engine provides four spray experiences: full coverage, drenching rain, intense massage and soft silk spray.
- Full-coverage spray produces an encompassing spray for everyday use and utilizes Katalyst® air induction to create large, full drops.
- Drenching rain delivers a soothing circular water pattern.
- Intense massage spray targets sore muscles to ease away aches and pains.
- Soft silk spray releases a dense, luxurious downpour of water.
- Full 360-degree rotation of entire sprayface cycles through spray functions.
- Silicone sprayface is easy to clean.

### Material

- KOHLER finishes resist corrosion and tarnishing.

### Installation

- Bracket or slidebar required for wall-mount installation.
- Deck-mount holder required for deck-mount installation.

### Water Conservation & Rebates

- This product can help a building earn Water Efficiency points in LEED® Green Building Rating System.

### Required Products/Accessories

K-8593 72" Shower Hose

or

K-9514 60" Shower Hose

or

K-45981 72" ribbon hose

or

K-45982 60" ribbon hose

### Recommended Products/Accessories

K-23723 Faucet cleaner



OBC

### Codes/Standards

ASME A112.18.1/CSA B125.1

DOE - Energy Policy Act 1992

EPA WaterSense®

California Energy Commission (CEC)




OBC

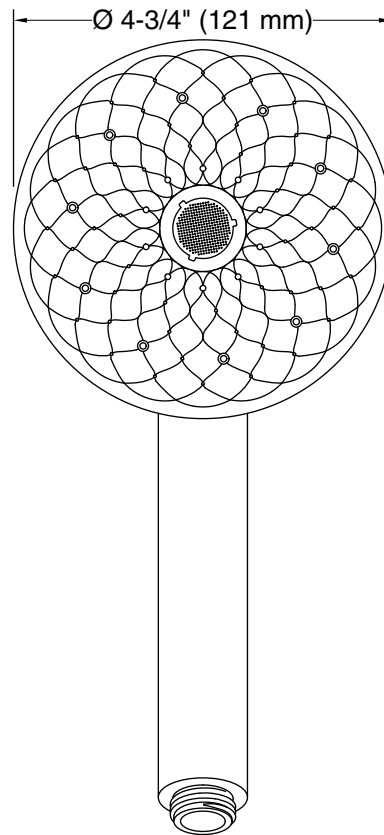
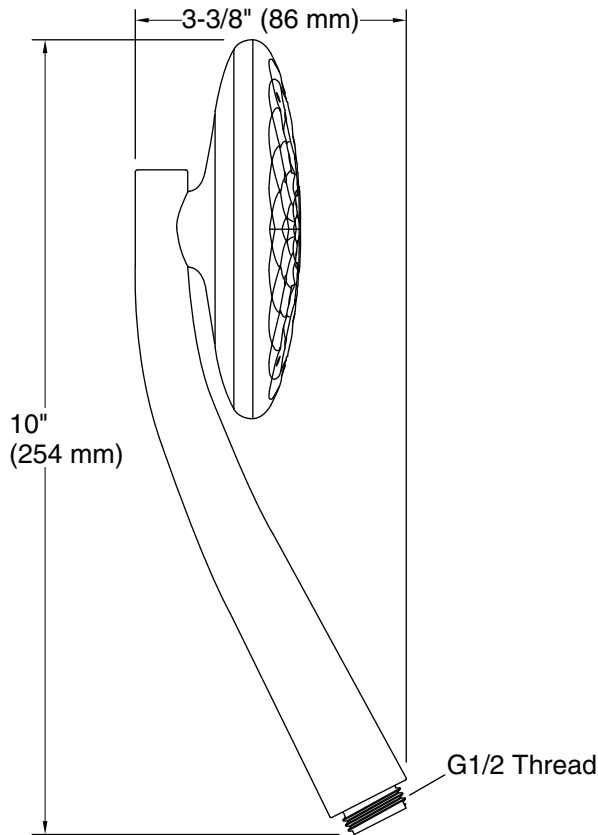
### KOHLER® Faucet Lifetime Limited Warranty

See website for detailed warranty information.

### Available Colors/Finishes

*Color tiles intended for reference only.*

| Color  | Code | Description              |
|--|------|--------------------------|
|  | CP   | Polished Chrome          |
|  | SN   | Vibrant® Polished Nickel |
|  | BN   | Vibrant® Brushed Nickel  |



**Technical Information**

All product dimensions are nominal.

**Notes**

Install this product according to the installation instructions.

Plumbing codes require approved backflow prevention devices to be installed in-line to handshowers. Please consult with local plumbing officials.

OBC compliant when installed to the specific requirements of these regulations.