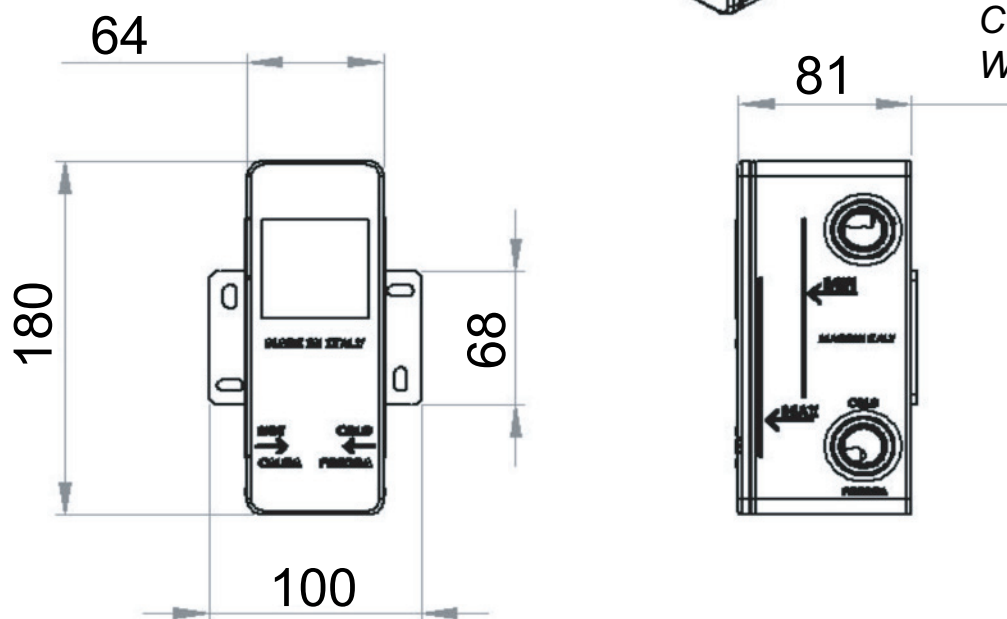
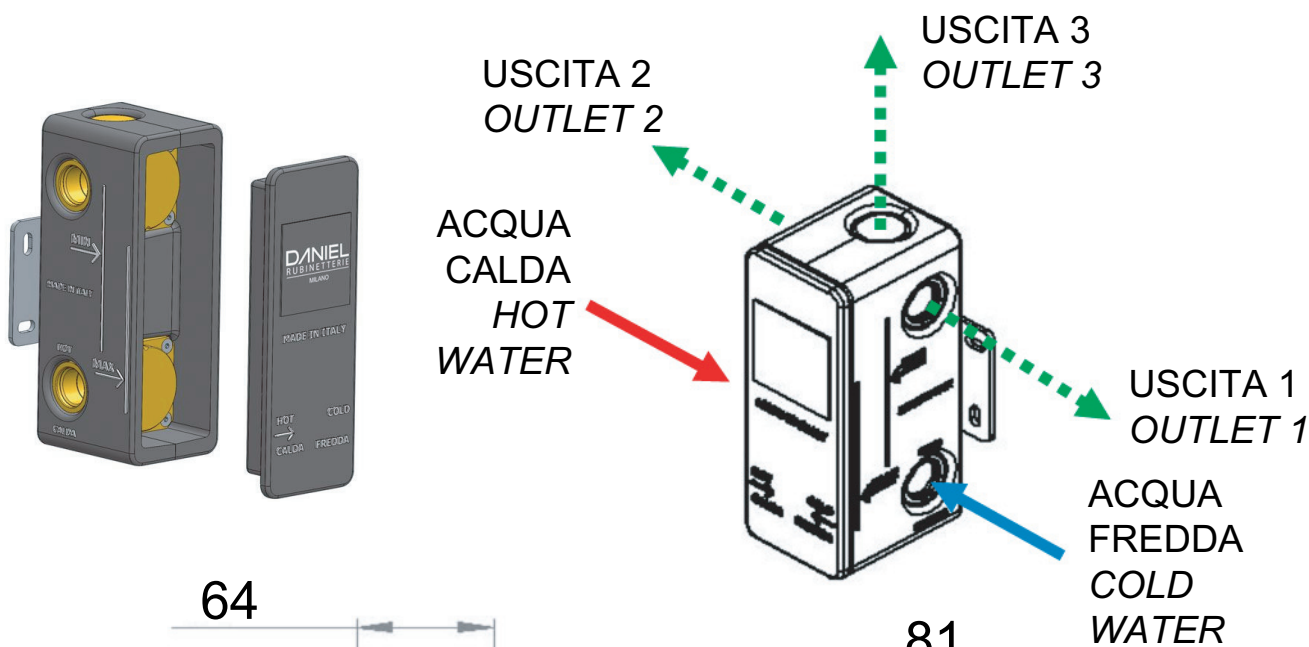


ART. COD.

DAN BOX D3



MATERIALI / MATERIALS

OTTONE / BRASS CW617 N
POLYSTYRENE

CROMATURA / CHROME PLATING

UNI EN 248