

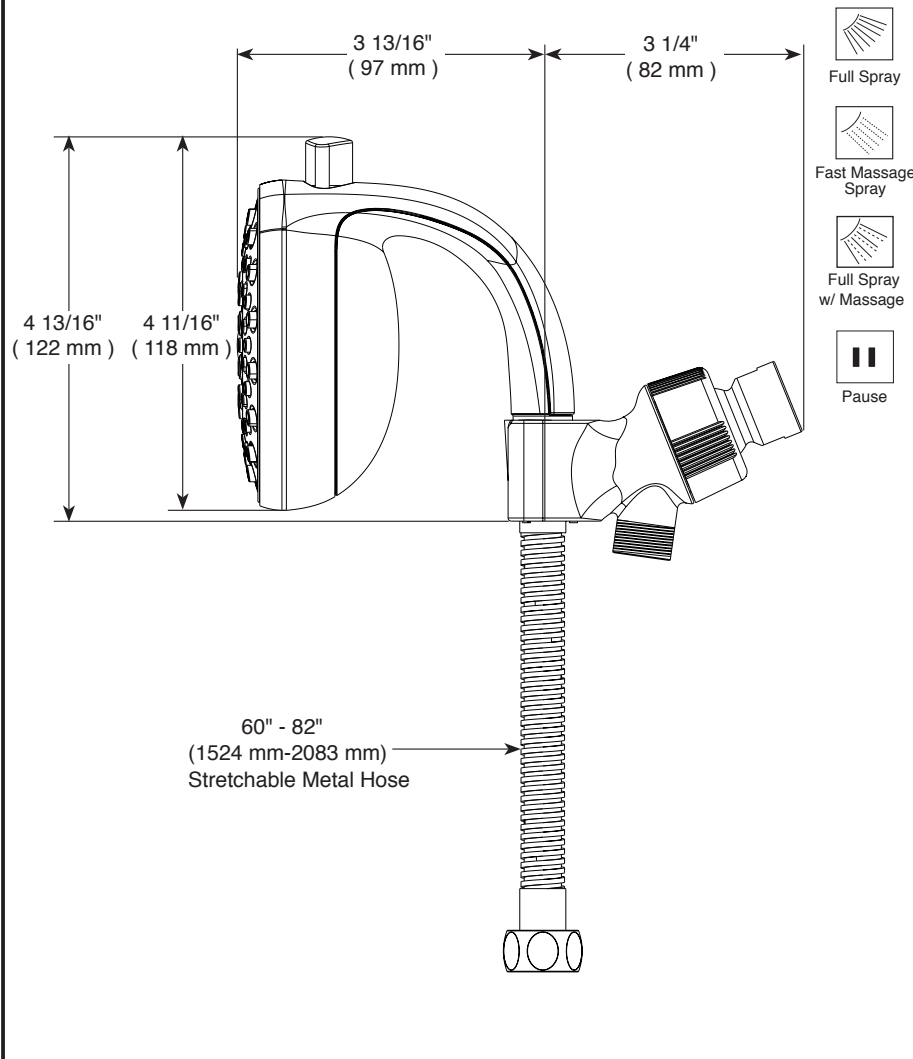
54488▲-PK



Submitted Model No.: _____

Specific Features: _____

54488▲-PK 1.75 GPM



▲ Designate proper finish suffix



see what Delta can do™

HAND SHOWER

- 4-Spray Setting Palm® Hand Shower
- Push Button Selection

FEATURES:

- Touch-Clean® Nozzles

STANDARD SPECIFICATIONS

- Maximum 1.75 gpm @ 80 psi, 6.6 L/min @ 550 kPa
- Four spray settings - pause is a non-positive shut-off
- ADA compliant hand shower when installed per accessibility guidelines of the act
- 60"-82" (1524 mm - 2083 mm) stretchable metal hose
- Change spray modes with push button
- Dual check valves for back flow protection
- Adjustable shower arm mount for hands-free showering

WARRANTY

- Parts and Finish - Lifetime limited warranty; or for commercial purchasers, 10 years for multi-family residential (apartments and condominiums) and 5 years for all other commercial uses, in each case from the date of purchase.
- Electronic Parts and Batteries (if applicable) - 5 years from the date of purchase; or for commercial purchasers, 1 year from the date of purchase. No warranty is provided on batteries.



COMPLIES WITH:

- ASME A112.18.1 / CSA B125.1
- ASME A112.18.3
- Indicates compliance to ICC/ANSI A117.1
- EPA WaterSense®

Delta reserves the right (1) to make changes in specifications and materials, and (2) to change or discontinue models, both without notice or obligation. Dimensions are for reference only. See current full-line price book or www.deltafaucet.com for finish options and product availability.

Delta Faucet Company

55 E. 111th Street, Indianapolis, IN 46280
 350 South Edgeware Road, St. Thomas, ON N5P 4L1
 © 2019 Delta Faucet Company