

Lever handle - Brass

Classic collection

Product

Snap-on cover, cc 30/38mm.

Tender text

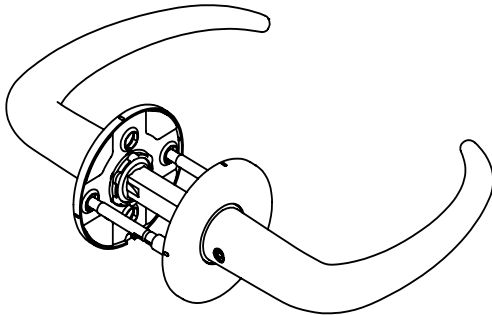
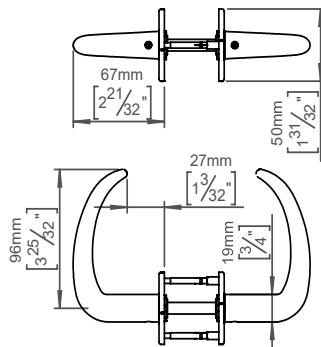
Classic collection, lever handle Coupé pair, 8x8mm, snap-on cover, cc 30/38mm, 33-59mm in polished brass. Certified in accordance with EN 1906 to 47-B1140U. 20-year warranty.

Product specification

Dimensions: 121x50x66mm

Material: brass

Surface finish: polished

[20-year warranty \(5 years for coated items\)](#)

Available finishes

Solid metal

Polished
brass
**Spare parts/
accessories**

14970102019 - Grub screw M5x8,3mm
 14296174107 - Sectioned bolt set M4x10mm with bush
 14285092092 - Spindle for door 33-59mm
 14976700105 - TX10 tool kit
 14293002002 - Snap-on cover tool

Mounting
<https://dline.com/mounting-instructions/>
Product care

d line products are produced in the highest quality brass. To sustain the unique d line finish please follow the below instructions:

- Wash down the surfaces using soapy water or mild detergent
 - Always thoroughly rinse off with clean water
 - To complete the cleaning procedure dry/polish the surface with a soft dry cloth
- Please do not use scouring powder, steel wool, chloride based detergents or other aggressive cleaning products as these may damage the surface.

If spots or corrosion appear on the surface it is not due to the stainless steel quality, but to impurities in the environment, aggressive conditions or improper or insufficient cleaning.