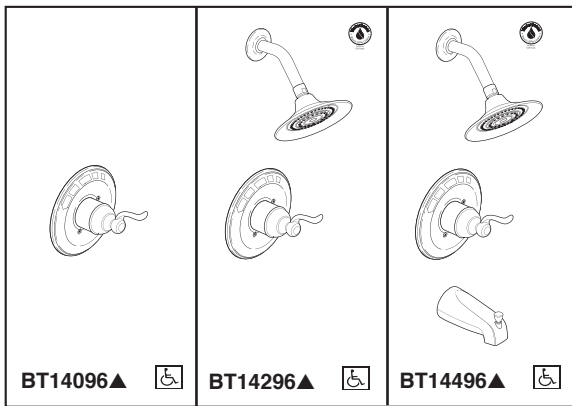




see what Delta can do<sup>SM</sup>

# TUB AND SHOWER FAUCET TRIM

- Windemere<sup>®</sup> Bath Collection
- Valve Only (BT14096 Series)
- Shower Only (BT14296 Series)
- Tub/Shower (BT14496 Series)



Submitted Model No.: \_\_\_\_\_  
 Specific Features: \_\_\_\_\_

### FEATURES:

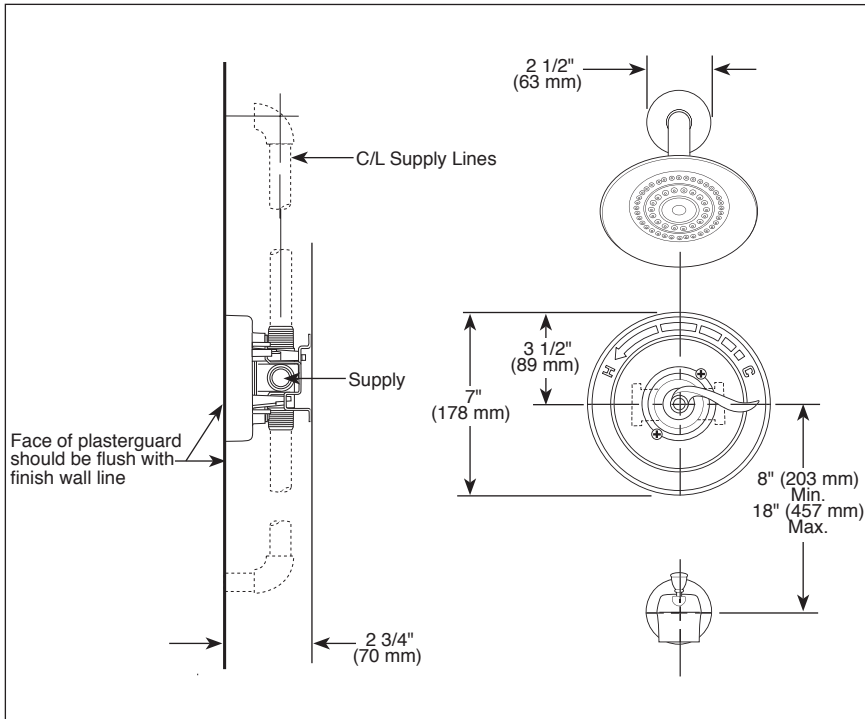
- Monitor<sup>®</sup> 14 Series pressure balanced bath mixing valve trim

### STANDARD SPECIFICATIONS:

- Maintains a balanced pressure of hot and cold water even when a valve is turned on or off elsewhere in the system.
- For use with MultiChoice<sup>®</sup> Universal rough valve body. (R10000 Series)
- Back-to-back installation capability.
- Solid brass forged body.
- Handle rotates 120°.
- Temperature only controlled with handle.
- Field adjustable means to limit handle rotation into hot water zone.
- All parts replaceable from the front of the valve.
- Stem extension kit RP77991 can be ordered to allow for an additional 1 3/4" wall thickness. RP77991 ships with chrome escutcheon screws. For special finishes also order RP12630 escutcheon screws in desired finish.

### WARRANTY

- Lifetime limited warranty on parts (other than electronic parts and batteries) and finishes: or, for commercial users, for 5 years from date of purchase.
- 5 year limited warranty on electronic parts (other than batteries); or, for commercial users, for 1 year from the date of purchase. No warranty is provided on batteries.



### ▲ Designate Proper Finish Suffix

**RP61181▲ 1.75 GPM Showerhead**

**RP64721▲ (With Diverter - Optional, Available Separately)**

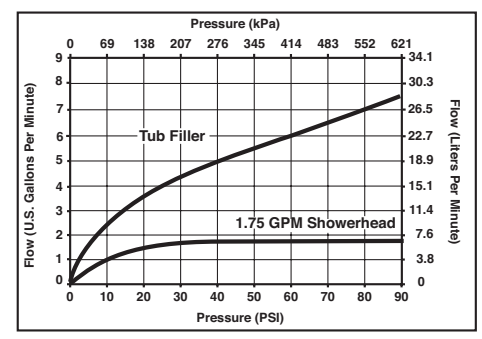
**RP81273▲ (With Diverter, Provided With BT14496)**

**RP64722▲ (Without Diverter - Optional, Available Separately)**

**RP77991 Available Extension Kit**

### COMPLIES WITH:

- ASME A112.18.1 / CSA B125.1
- ASSE 1016
- Indicates compliance to ICC/ANSI A117.1 - Valve control only
- EPA WaterSense<sup>®</sup>



**Delta Faucet Company**  
 55 E. 111th Street, Indianapolis, IN 46280  
 350 South Edgeware Road, St. Thomas, ON N5P 4L1  
 © 2017 Delta Faucet Company

Delta reserves the right (1) to make changes in specifications and materials, and (2) to change or discontinue models, both without notice or obligation. Dimensions are for reference only. See current full-line price book or www.deltafaucet.com for finish options and product availability.  
 DSP-B-BT14096 Rev. G