

HANLEY BATH

The Hanley bath is a reproduction of an original fireclay bath, purchased from the Grand Hotel in Aix les Bains. It is manufactured in England from Vitrite™, a stone and mineral composite that replicates the look and feel of the original bath but without the weight. It can be produced in any colour.

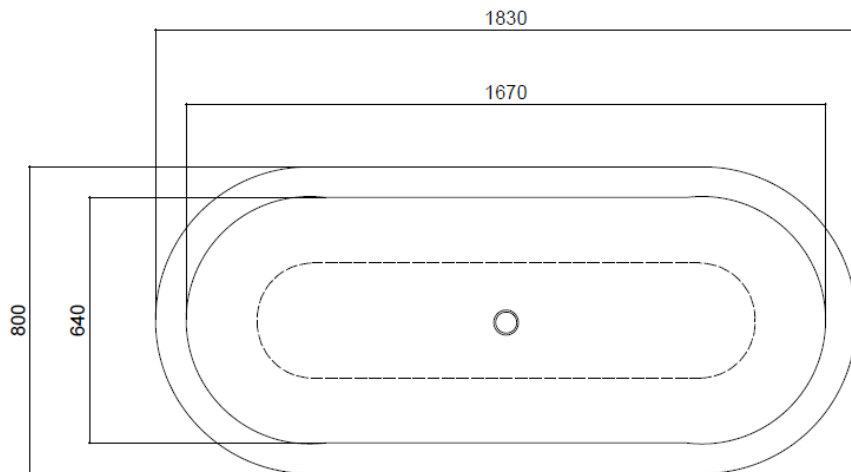
Length: 1830mm / 72"

Width: 800mm / 31.5"

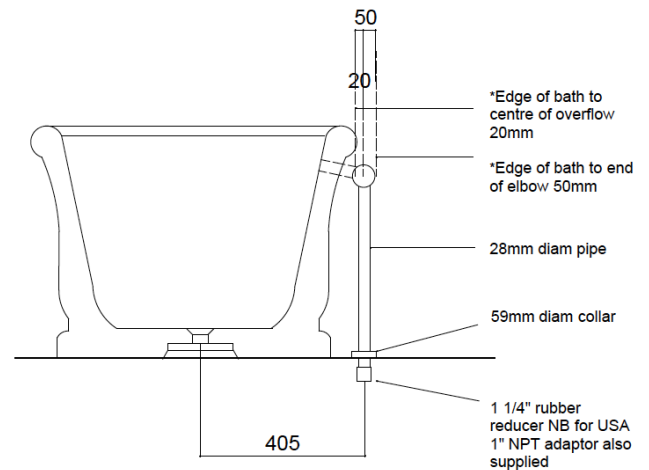
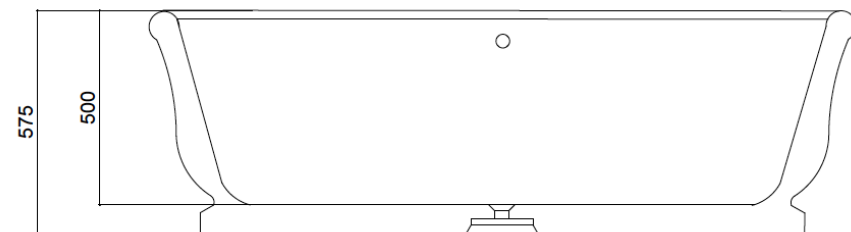
Height: 575mm / 23.75"

Weight: 100kg / 220lbs

Capacity: 320 litres / 70 UK gallons / 84 US gallons



Hanley Bath (in MM)	
O/A Length	1830
O/A Width	800
O/A Height	575
Int Length	1670 apr
Int Width	640 apr
Int Depth	500 apr



Waste: 1 1/2" BSP; Overflow: 28mm / 1 1/4" rubber reducer.

We only supply fittings above the floor. We do not supply the trap; the trap needs to go beneath the floor.

Dimensions are given in mm, they are a guide only and may vary from bath to bath.

THE
WATER/
MONOPOLY

10/14 Lonsdale Road, London, NW6 6RD
+44 (0)20 7624 2636 thewatermonopoly.com