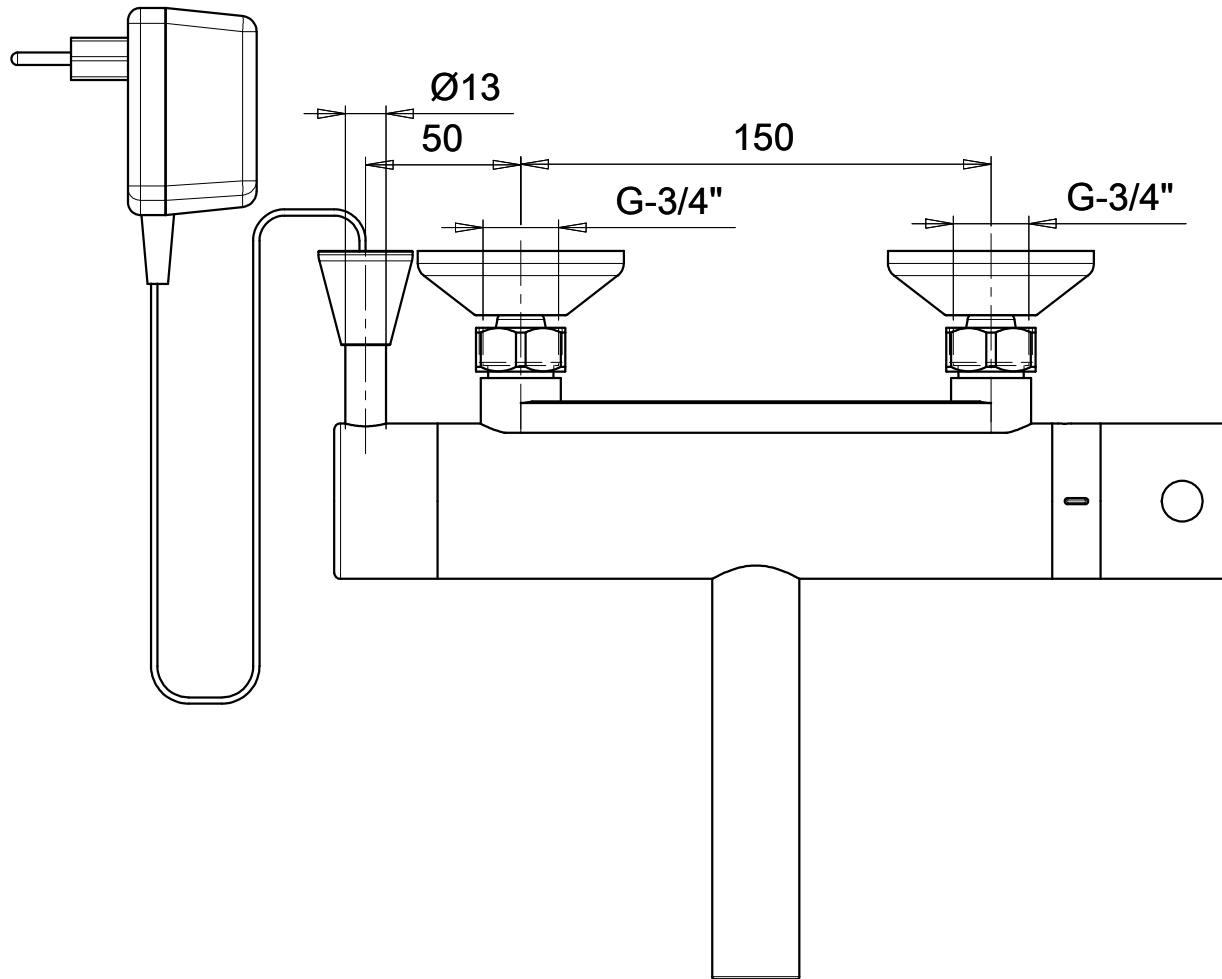
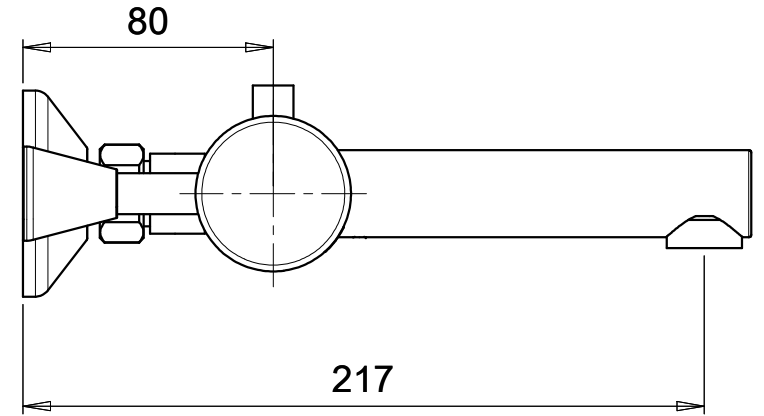
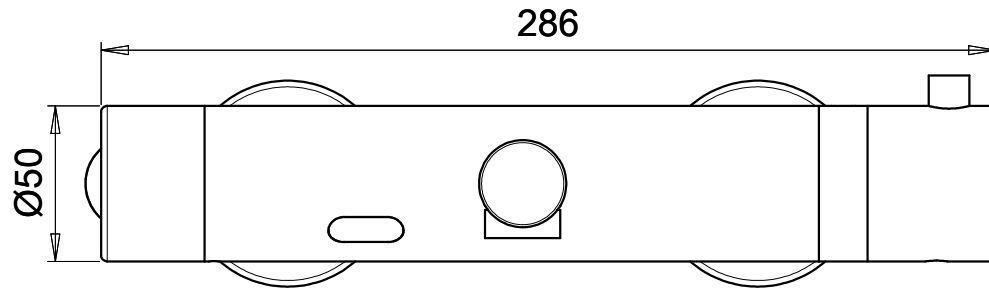


Medical 1000TE



Y.STERN ENGINEERING LTD.