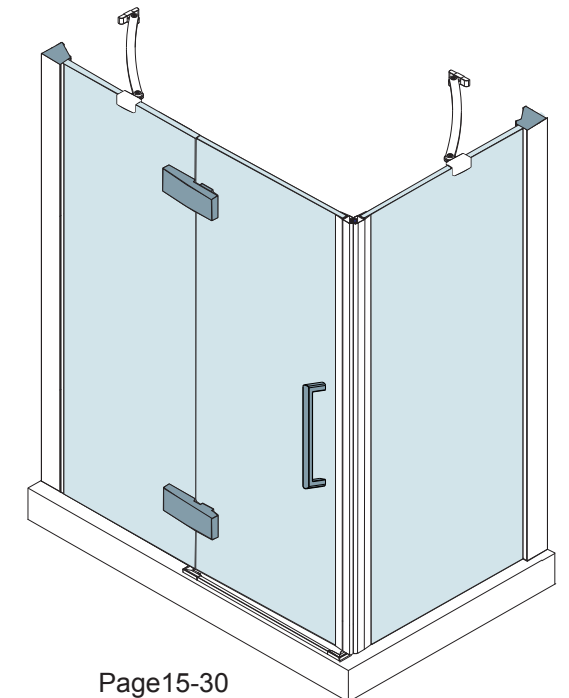


Page 2-14



Page 15-30

HINGE DOOR IN A RECESS

HINGE DOOR WITH SIDE PANEL

CE	
Merlyn Industries Ltd (MER13)	
CES6FHI 1.1	
17	
EN 14428	
Shower enclosures with aluminium profiles and safety glass	
Cleanability	: Pass
Impact resistance/shatter properties	: Pass
Durability	: Pass

To download the Declaration of Performance (DOP) for this product please use the link below.

<http://merlynshowering.com/aftersales-support/dop-certs/>

For further information please contact IRL: 056 7791 555, UK: 08081011429

Installation Guide

HINGE DOOR IN A RECESS

IMPORTANT

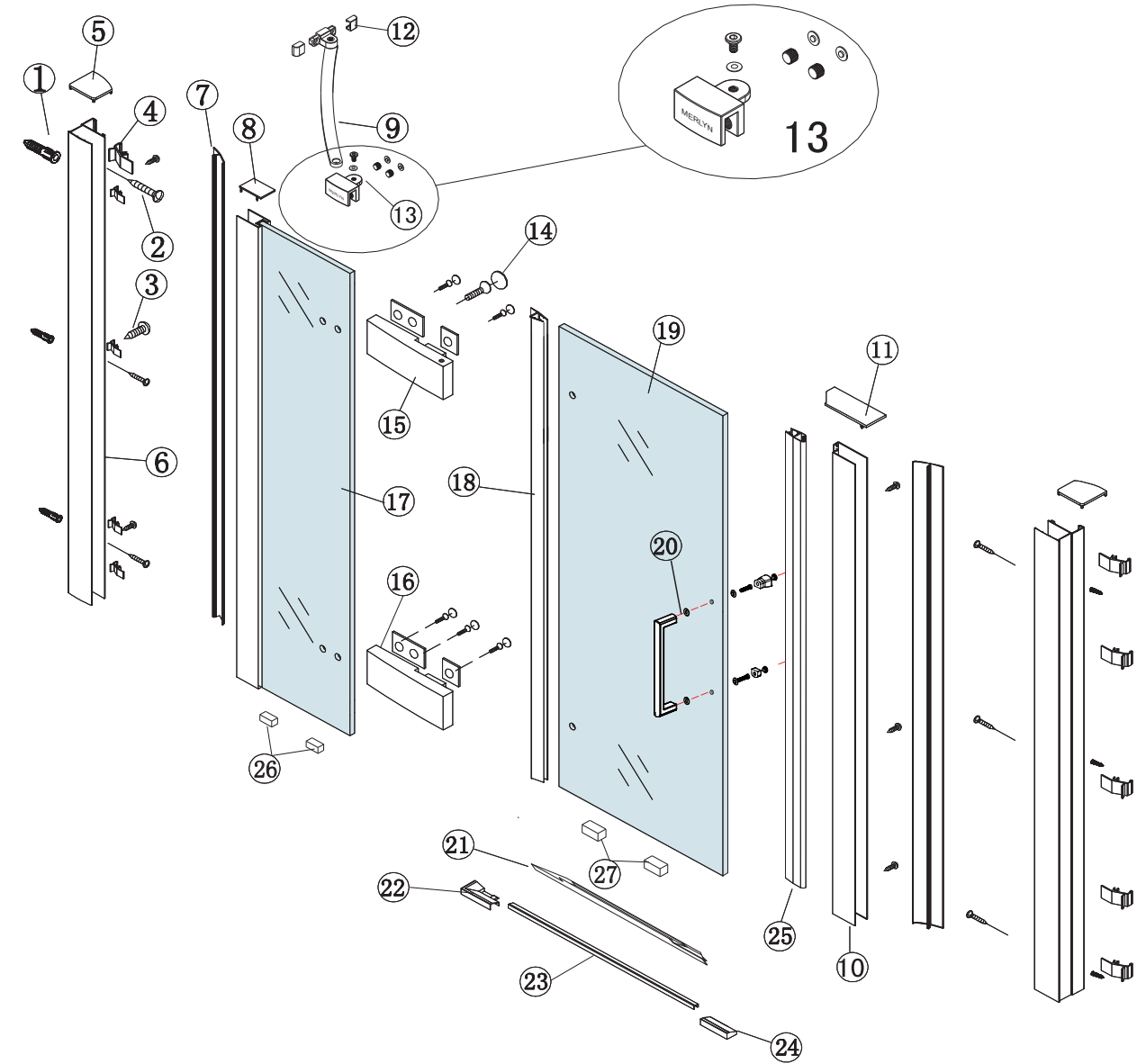
Thank you for choosing Merlyn. Please familiarise yourself with the fitting instructions before commencing fitting.

- 1 Check that you have the tools required
- 2 Check that the installation site is compatible with size of door supplied
- 3 Check all the enclosure components
- 4 Check that the installation kit is complete

DO NOT attempt to install the product unless you can tick **ALL 4** boxes as satisfactory.
 The wall plugs supplied with the installation kit are for use in solid walls. Hollow or 'stud - partition' walls will require alternative fixings. Please consult a hardware supplier for the correct type.
 It may also be necessary to consult your tiling supplier about the correct method for drilling your tiles.

USE SAFETY EYEWEAR WHEN DRILLING

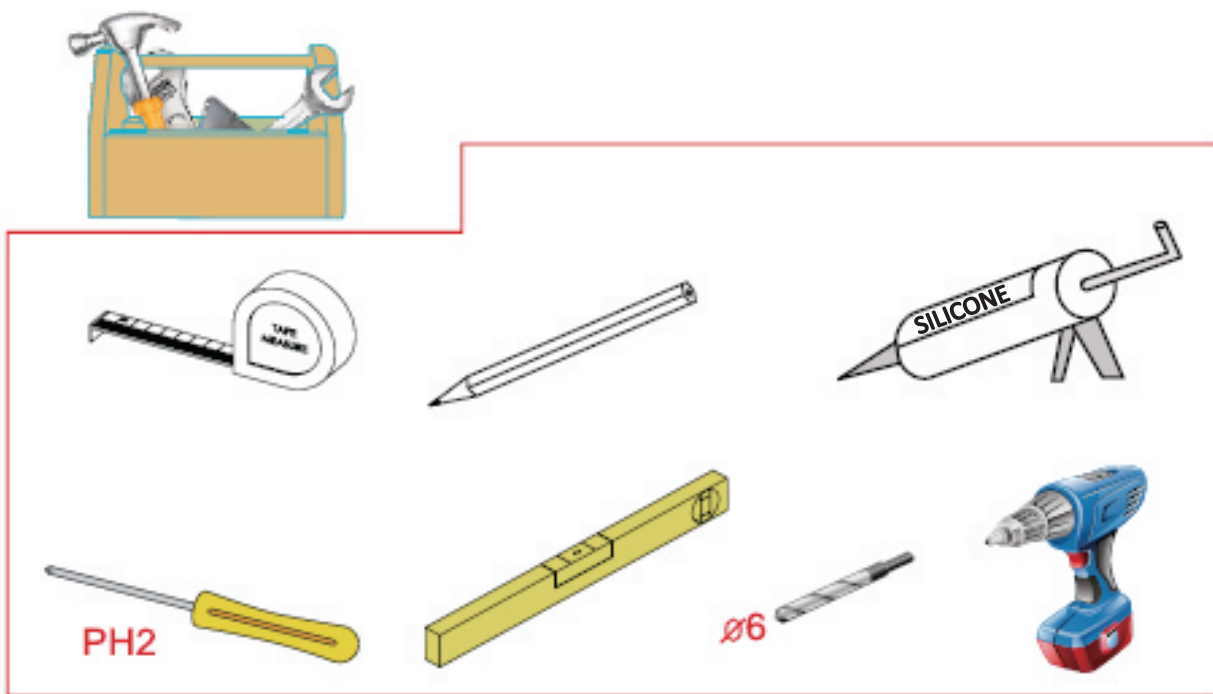
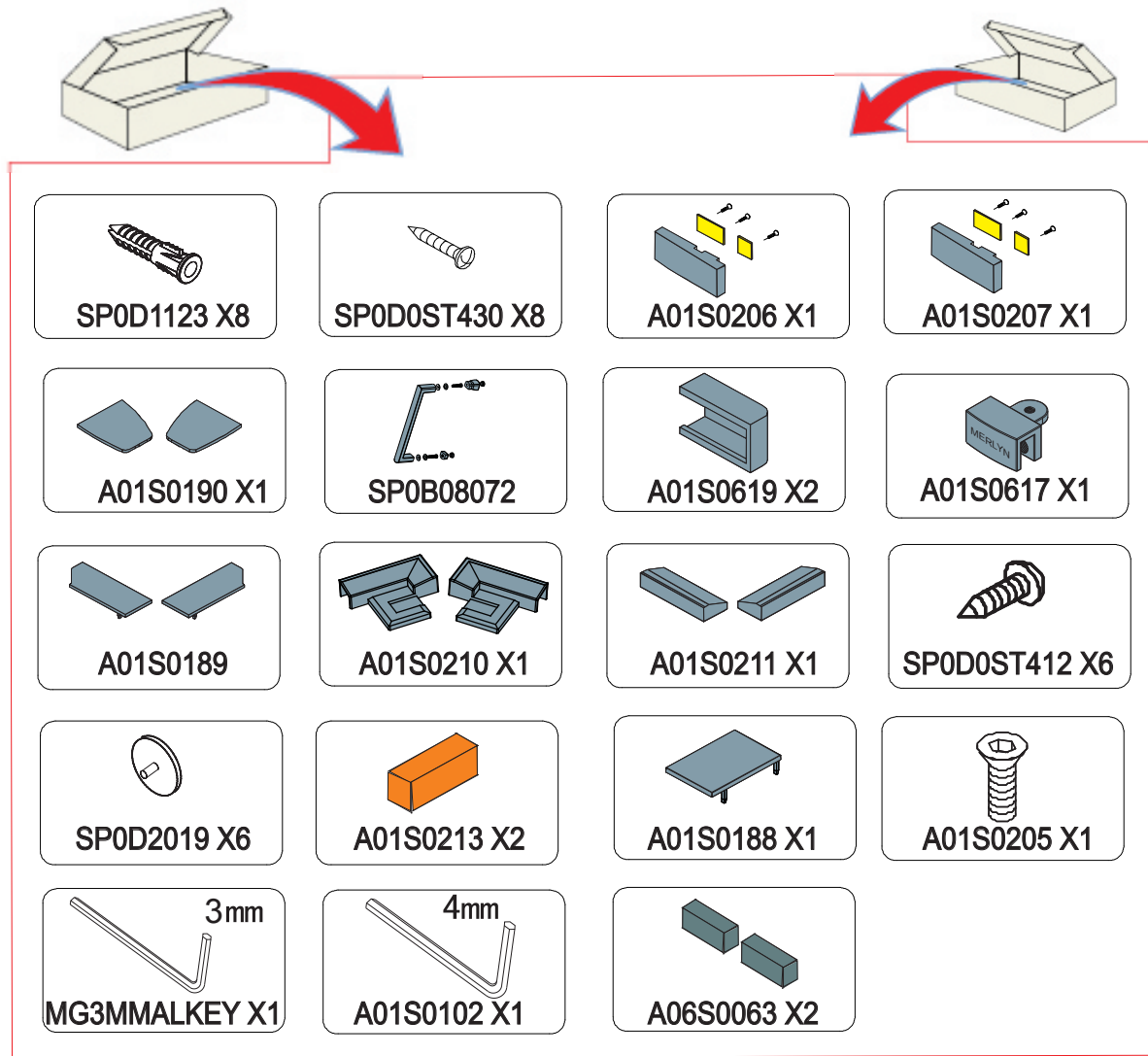
Any parts missing or damaged must be reported to your supplier within 5 days of purchase. Inspect shower enclosure before fitting. No claims will be accepted after product has been installed.



No.	Qty	Description	Part No.	No.	Qty	Description	Part No.	No.	Qty	Description	Part No.
①	8	Wall plug	SP0D1123	⑩	1	Magnet profile	A01S0180	⑲	1	Moving panel	B
②	8	Pan head screw 4 x 30	SP0D0ST430	⑪	1	Magnet profile cover cap	A01S0189	⑳	1	Handle	SP0B08072
③	6	Pan head screw 4 x 12	SP0D0ST412	⑫	2	Bracing bar cover cap	A01S0619	㉑	1	Bottom seal	A01S0605
④	10	Cover strip clip	A01S0116	⑬	1	Bracing bar clamp	A01S0617	㉒	1	Fixed panel footplate	A01S0210
⑤	1	Wall profile cover cap	A01S0190	⑭	6	Hinge cover cap	SP0D2019	㉓	1	Threshold	A01S0182
⑥	2	Wall profile	A01S0177	⑮	1	Hinge 1	A01S0206	㉔	1	Closing post footplate	A01S0211
⑦	2	Cover strip	A01S0115	⑯	1	Hinge 2	A01S0207	㉕	1	Magnet seal set	A01S0635
⑧	1	Upright profile cap	A01S0188	⑰	1	Fixed panel	C	㉖	2	Fixed panel block	A06S0063
⑨	1	Bracing bar	A	⑱	1	Moving panel hinge seal	A01S0633	㉗	2	Moving panel spacer	A01S0213

MERLYN

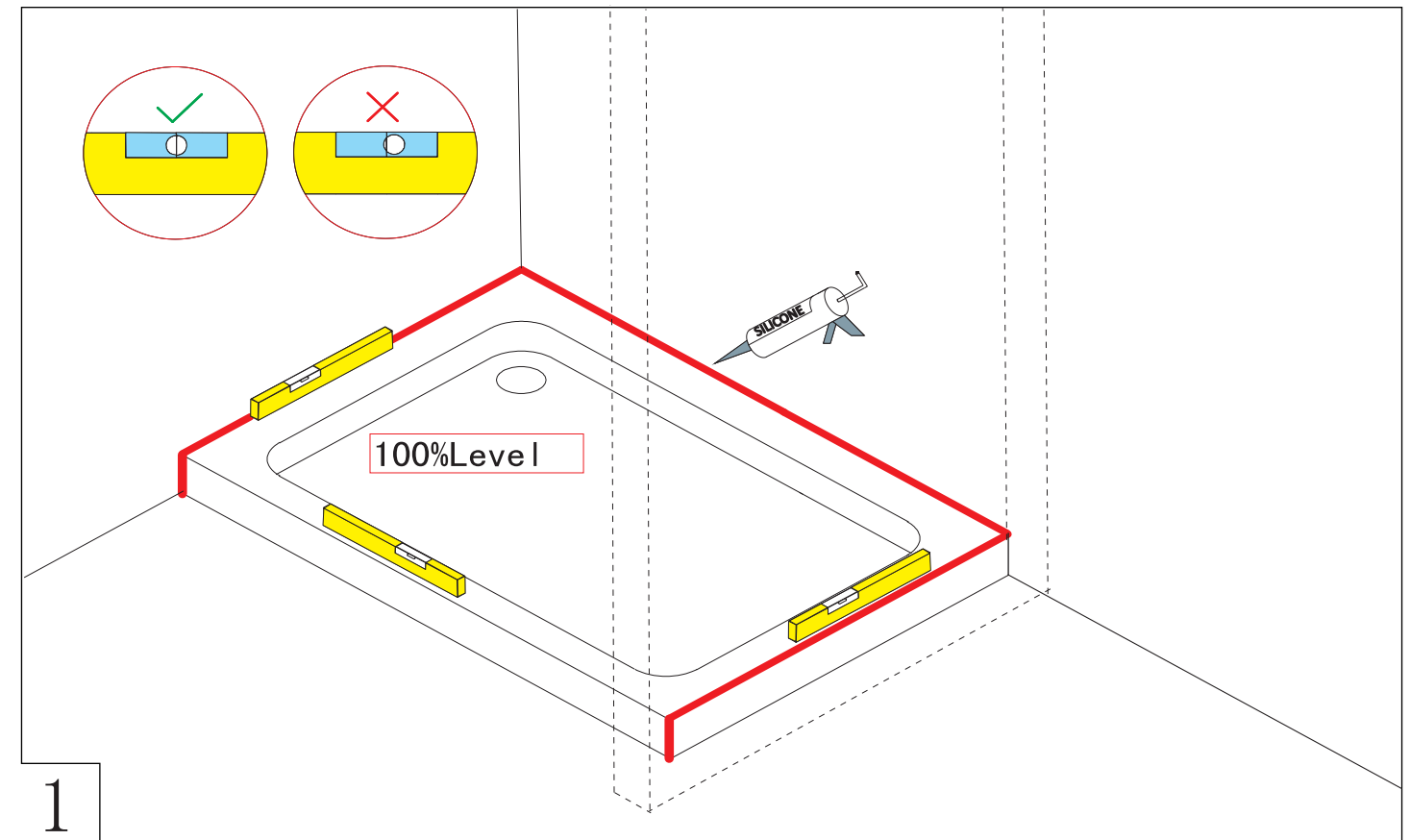
6 | series FRAMELESS



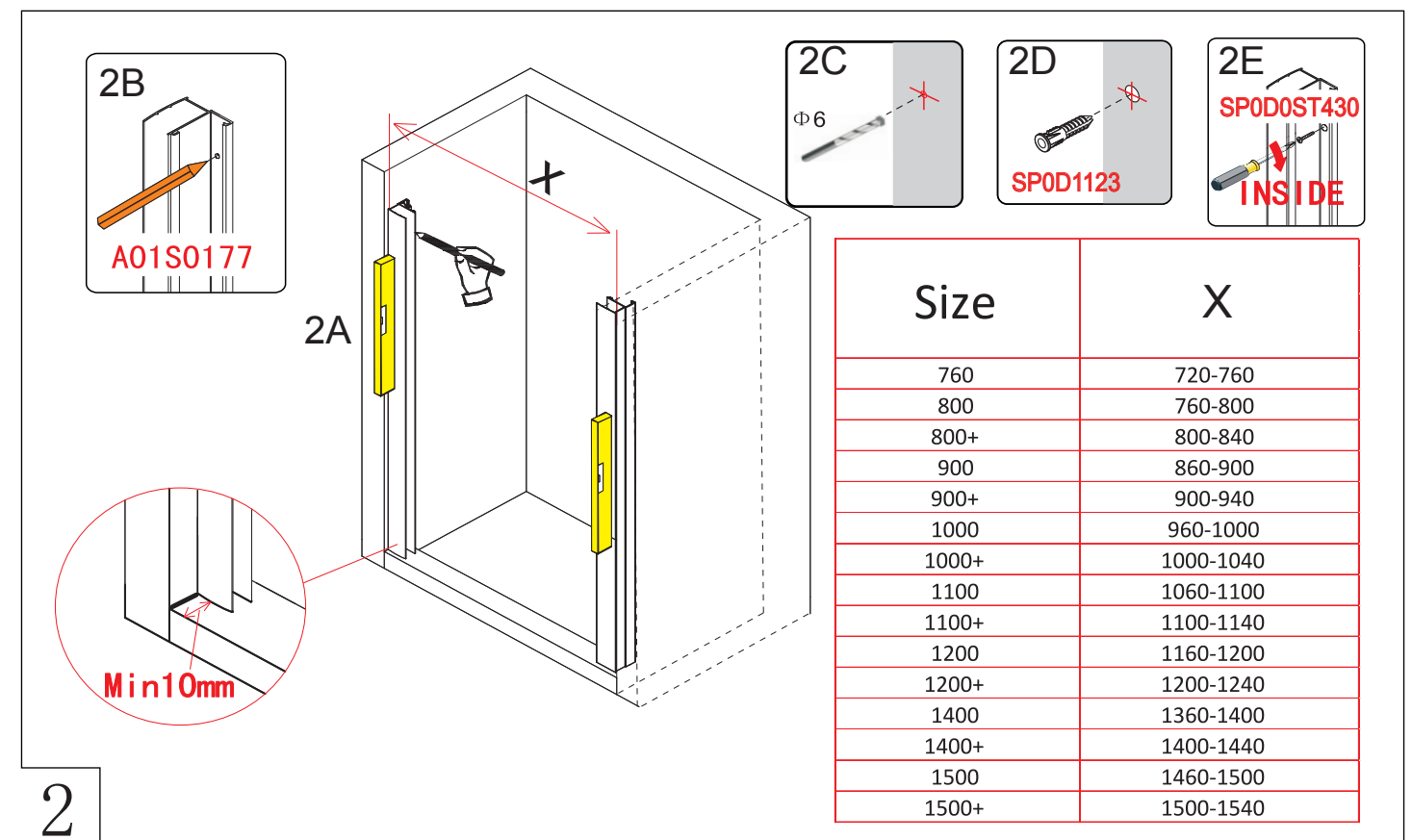
4.

MERLYN

6 | series FRAMELESS

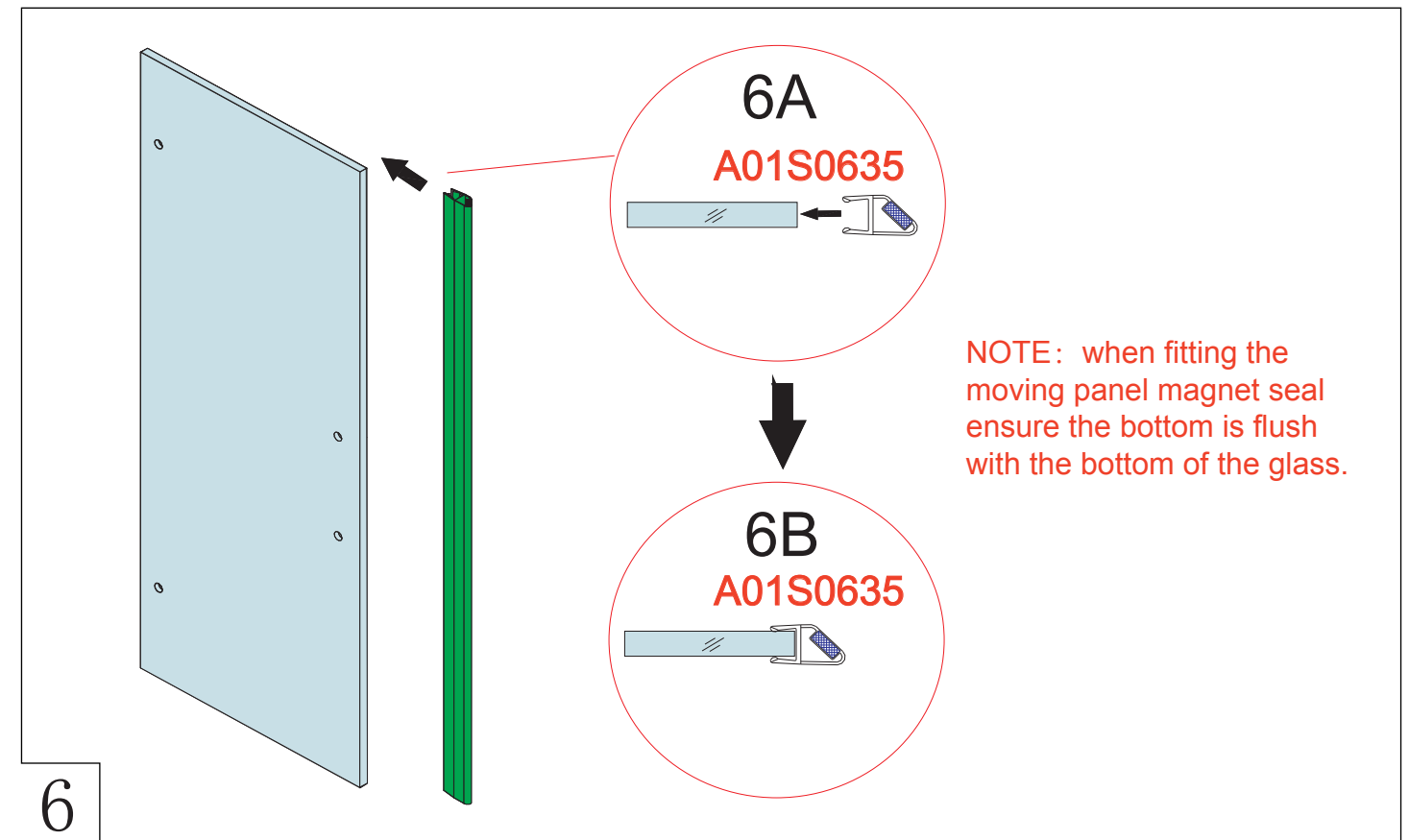
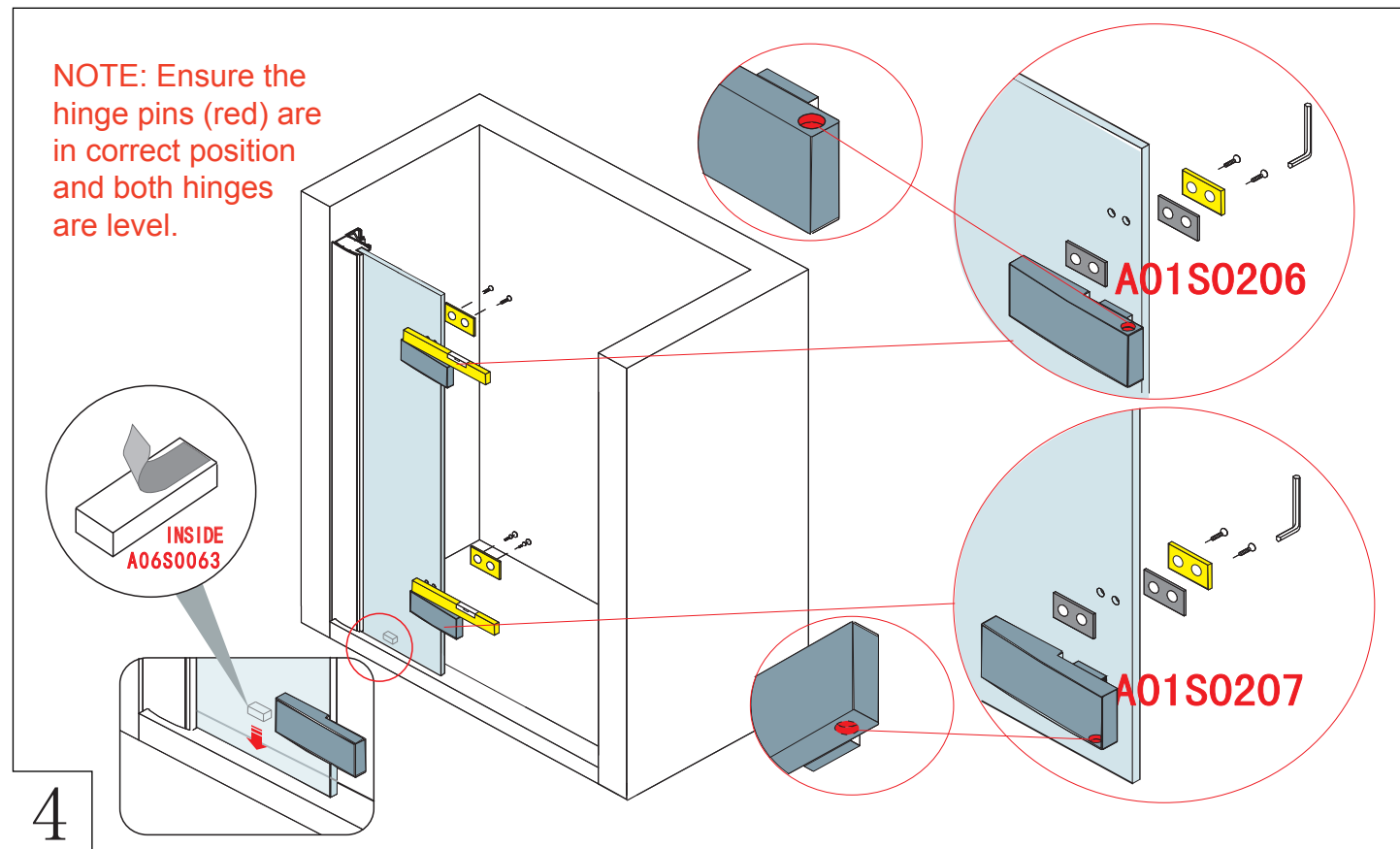
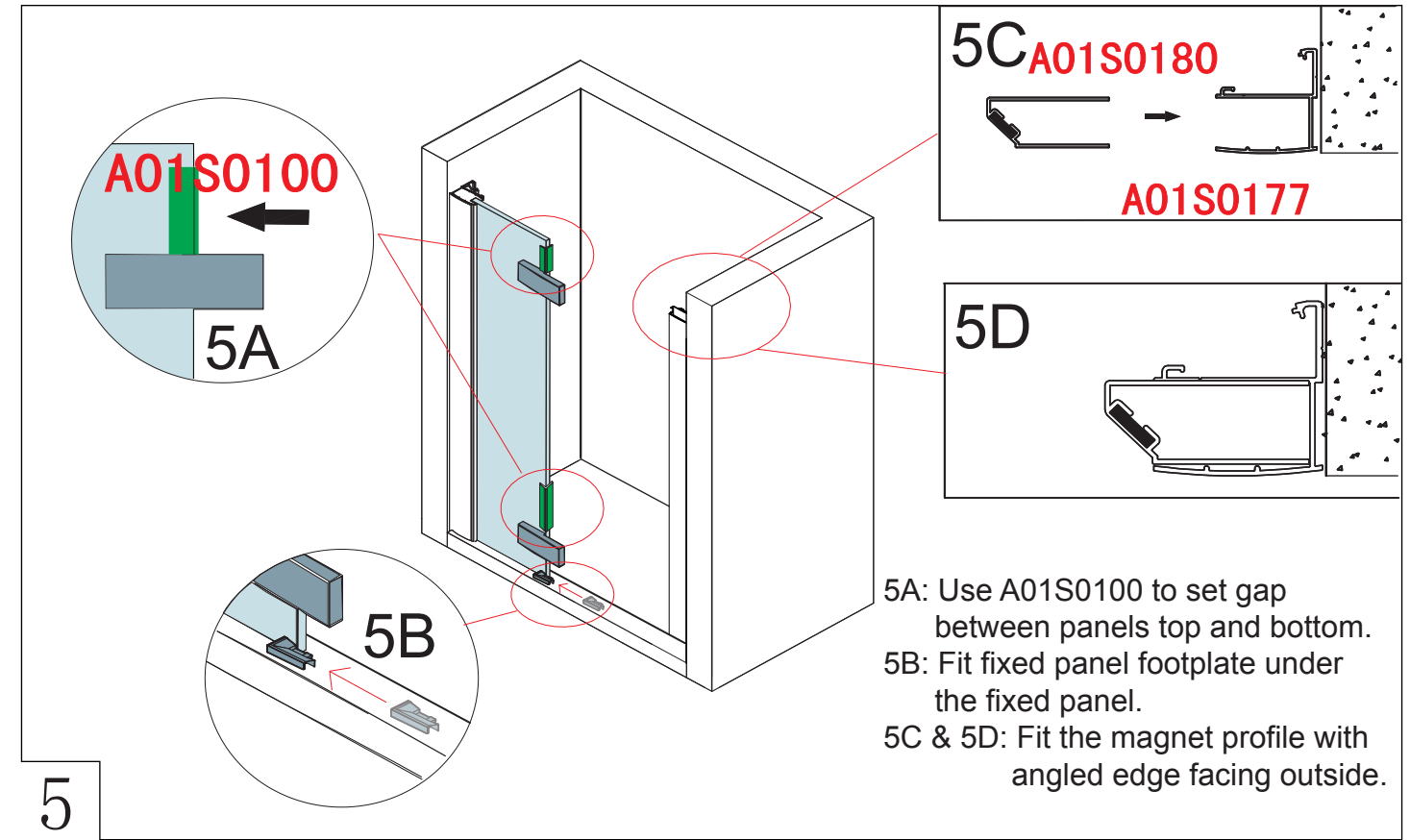
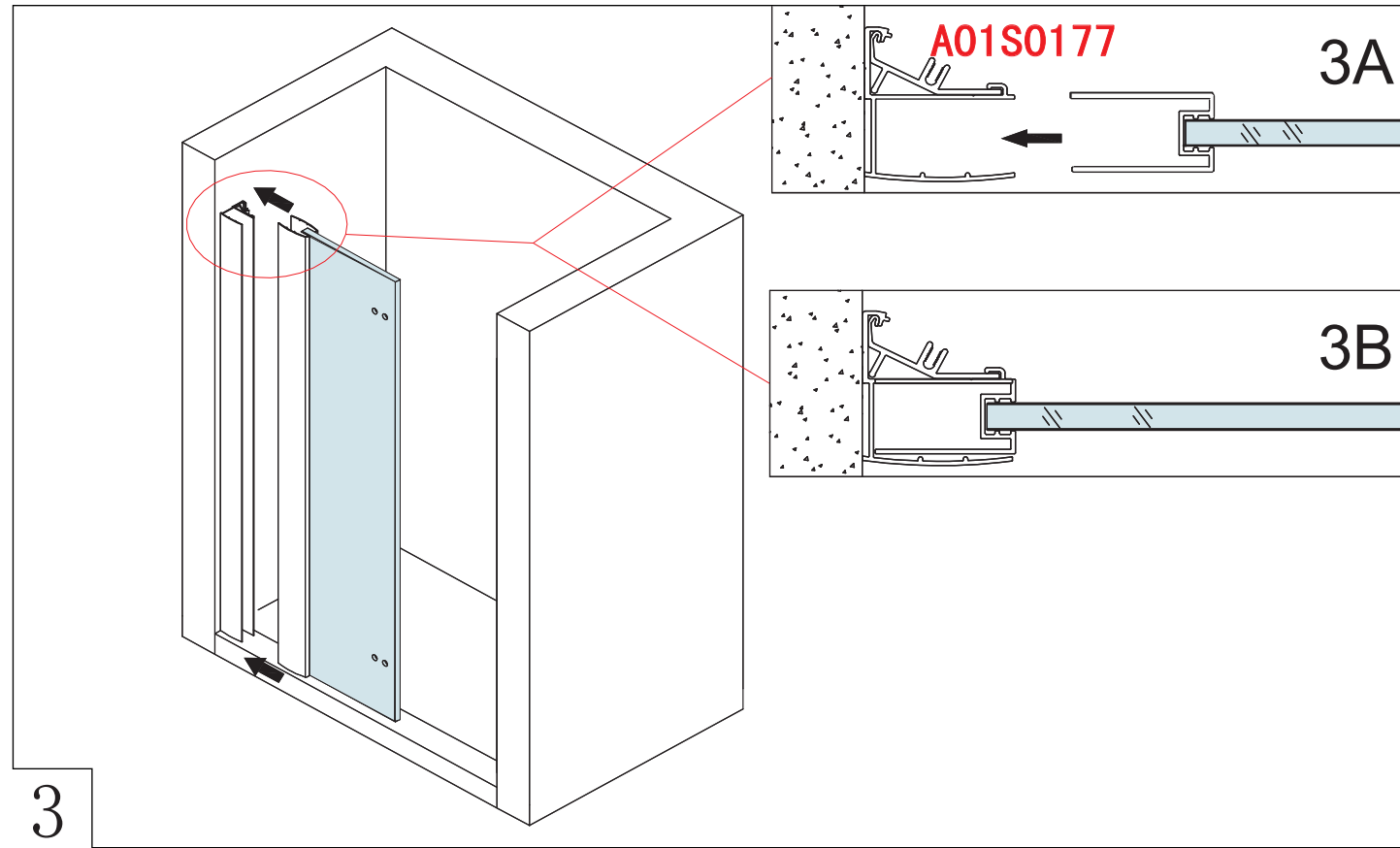


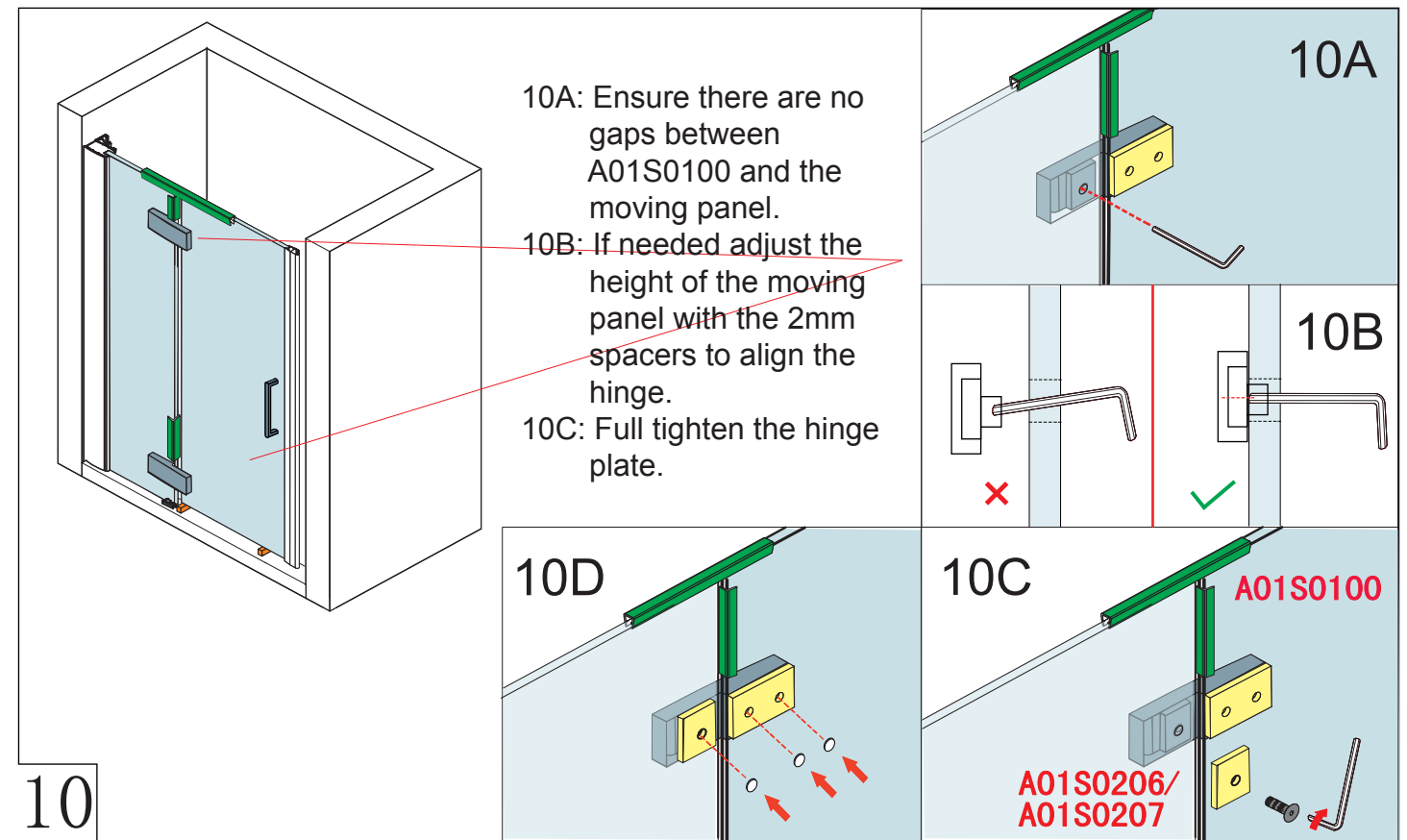
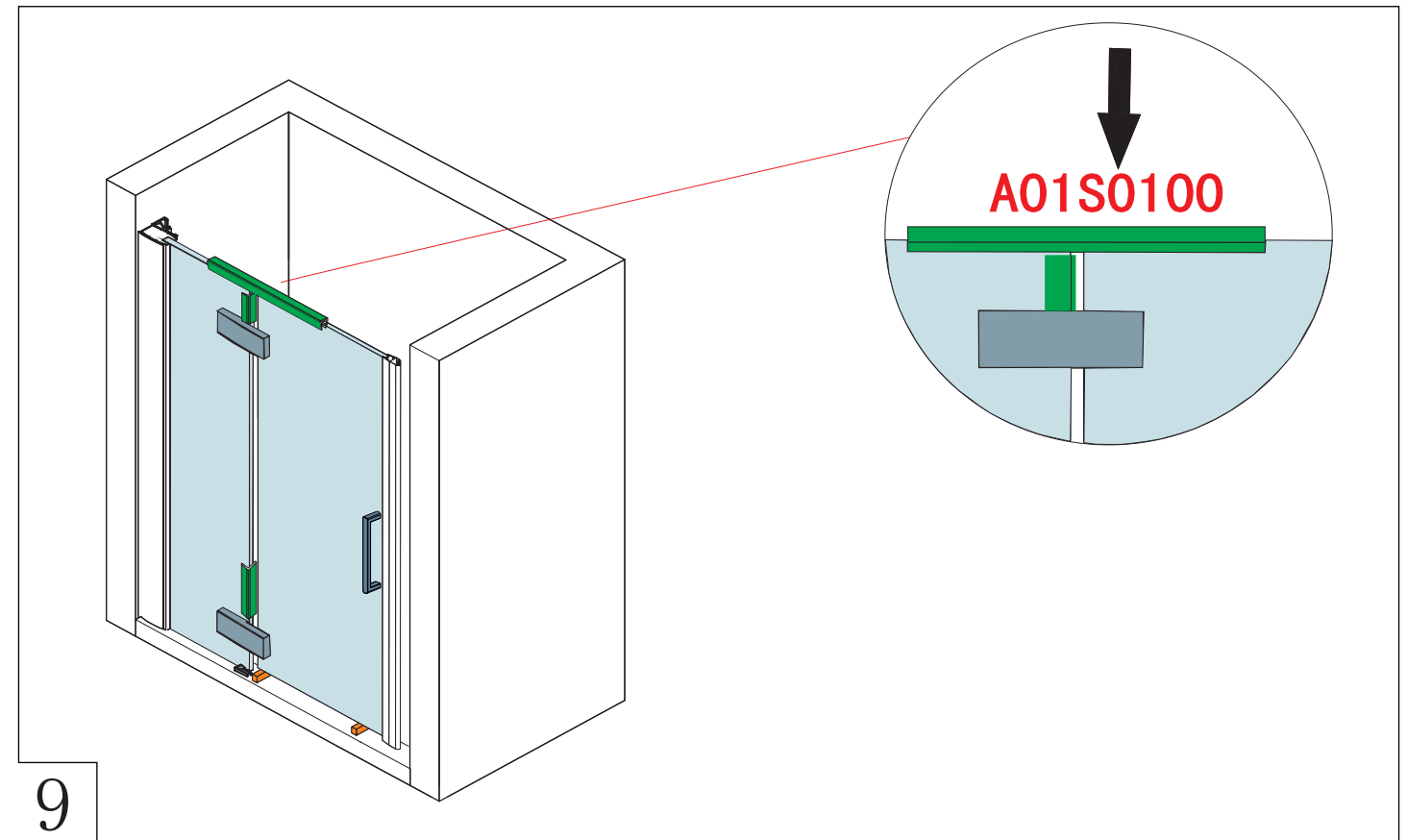
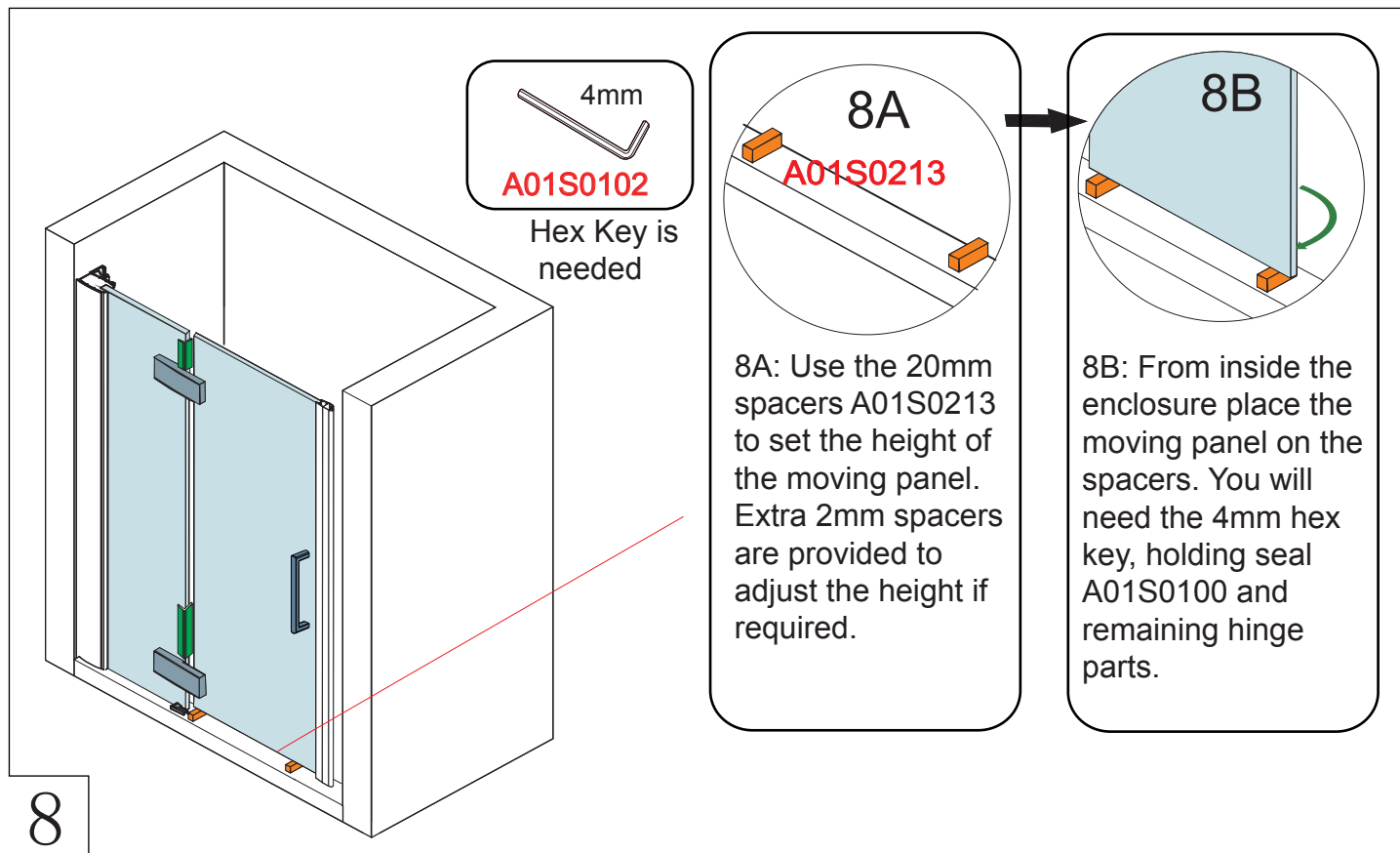
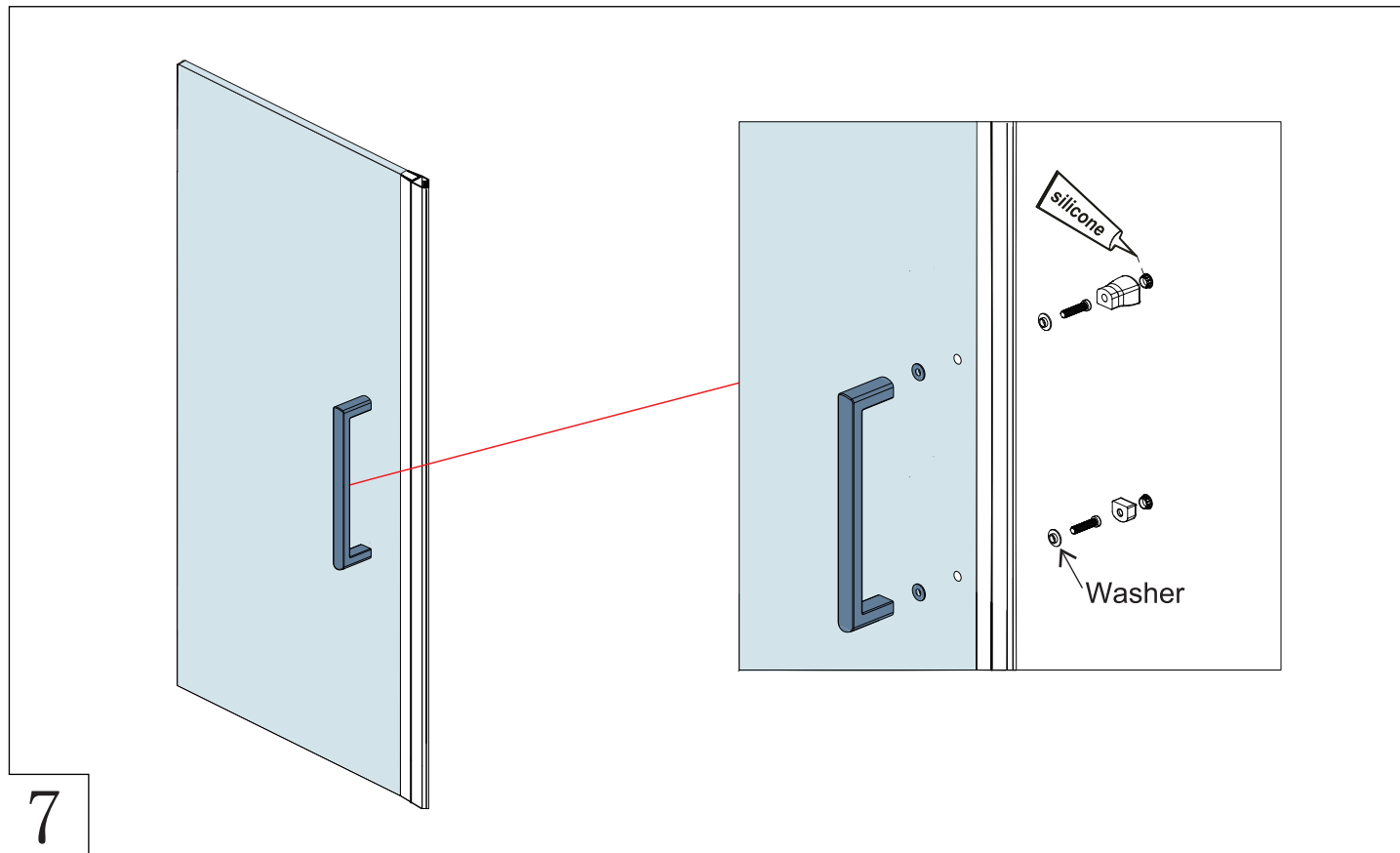
1

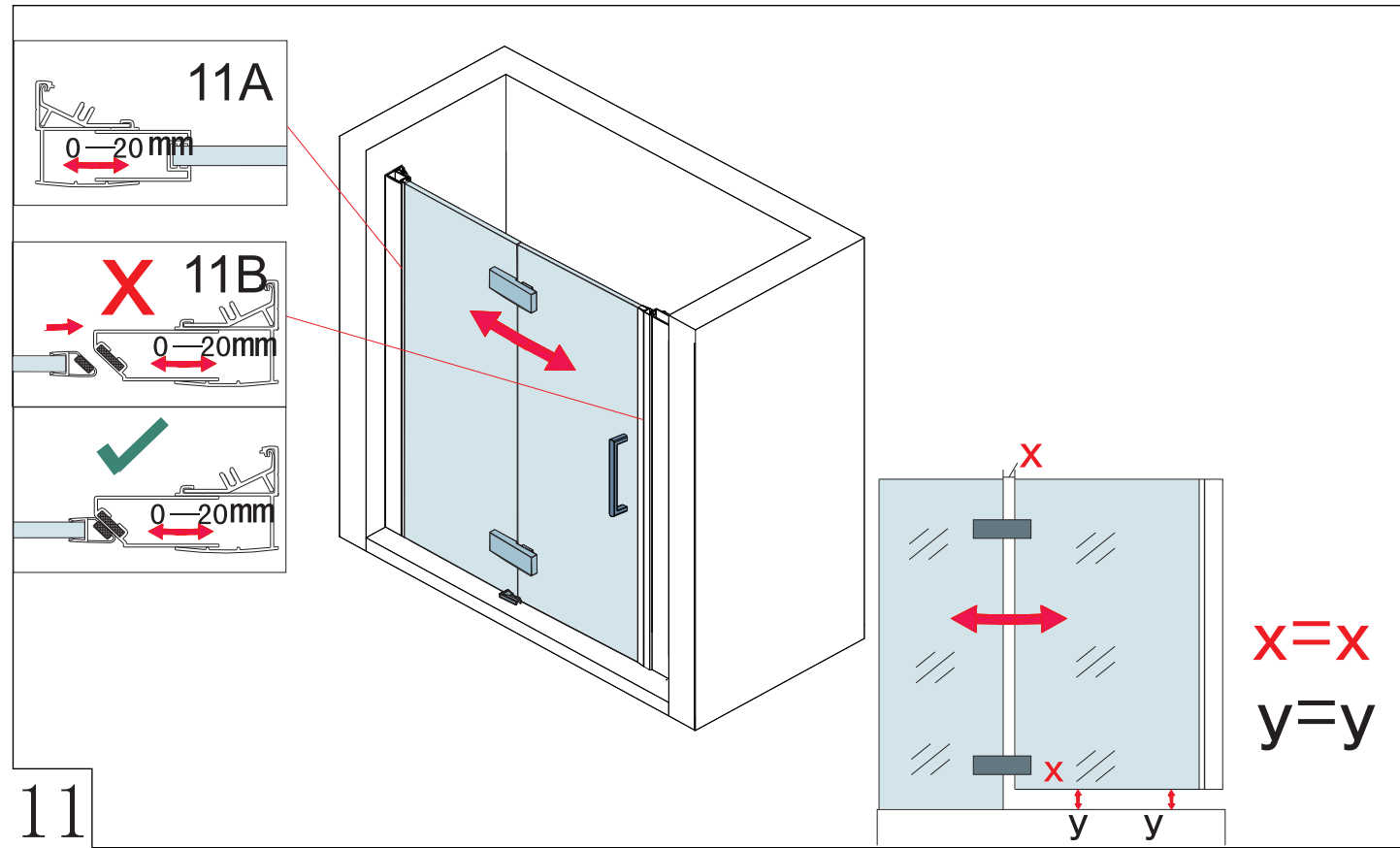


2

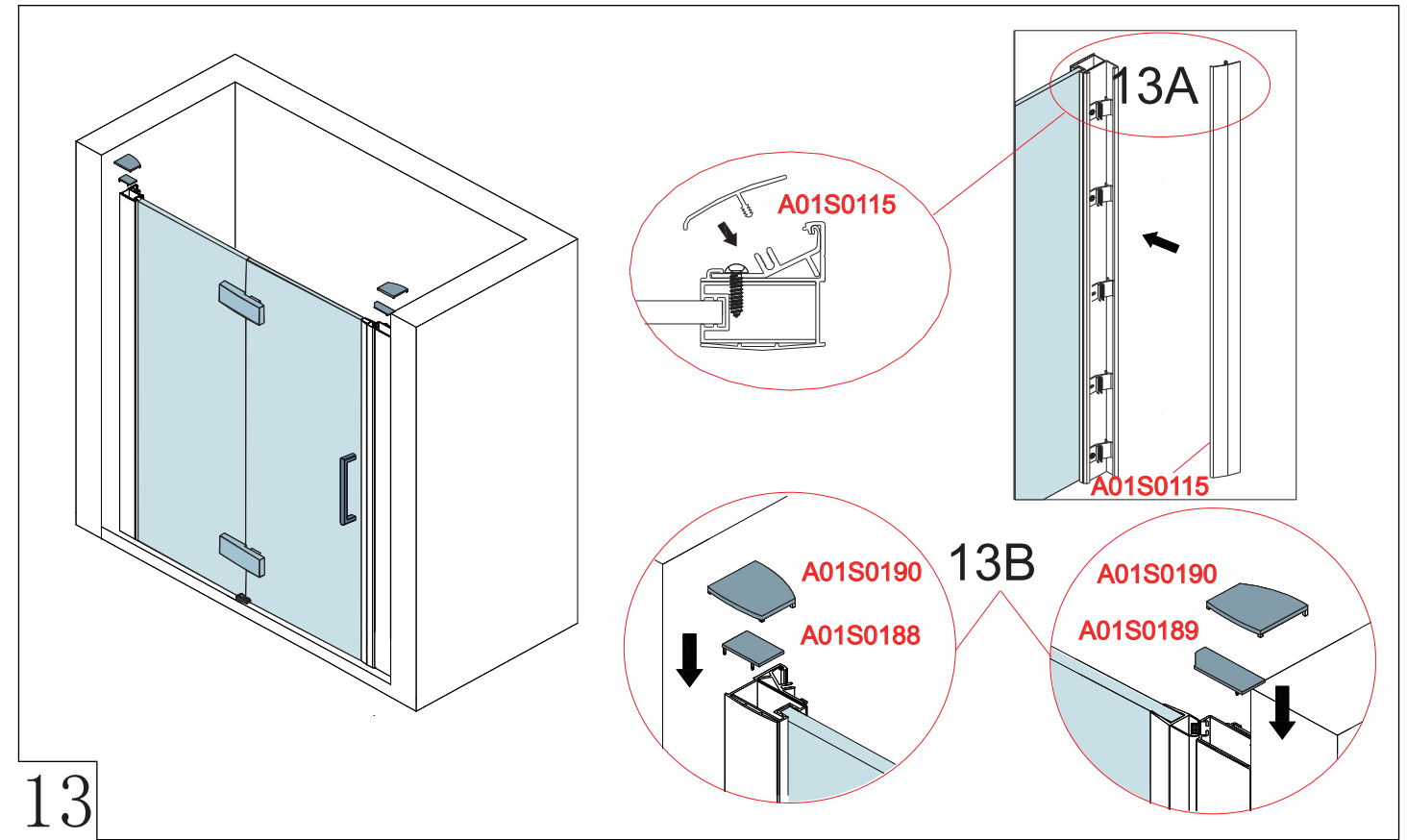
5.



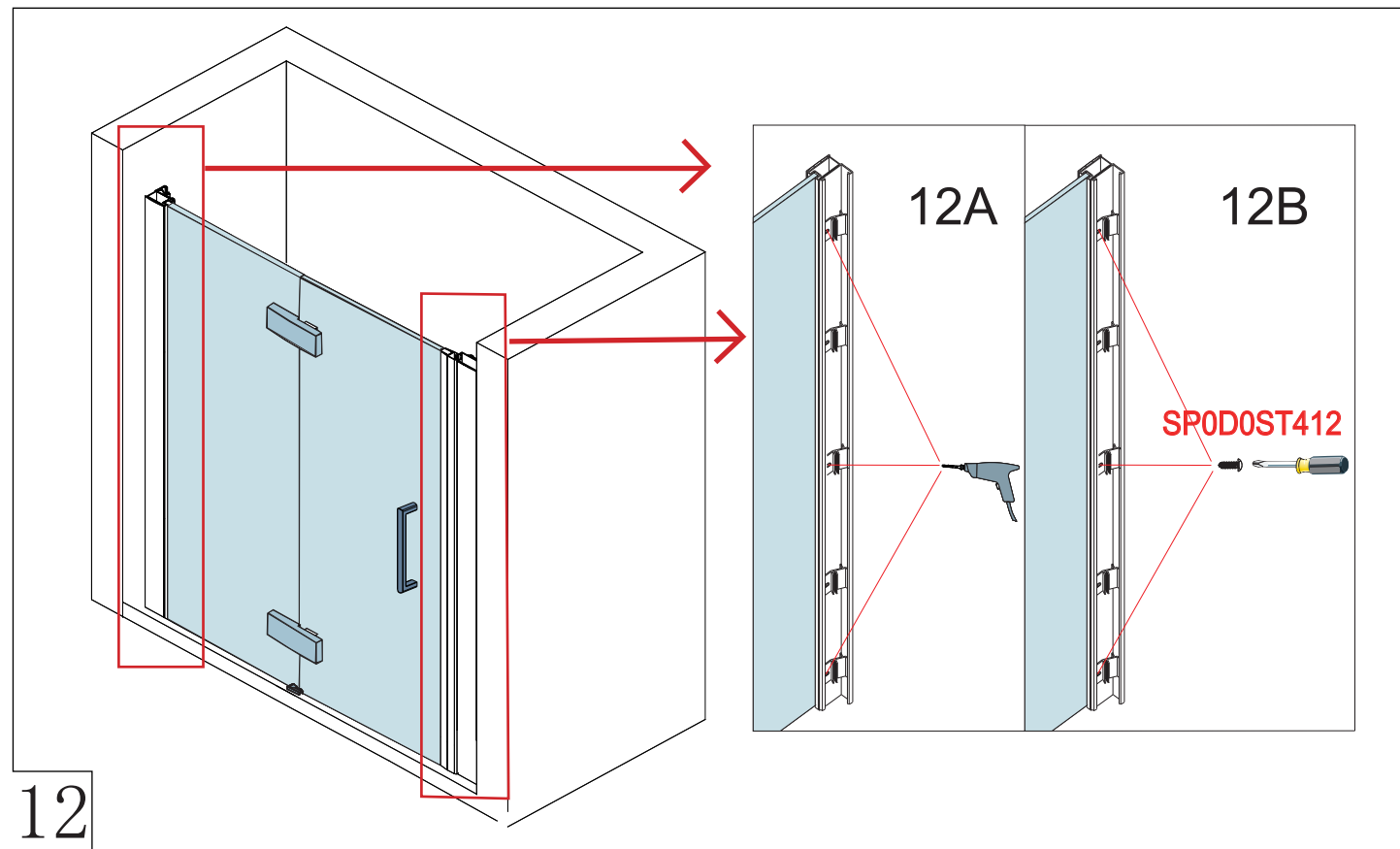




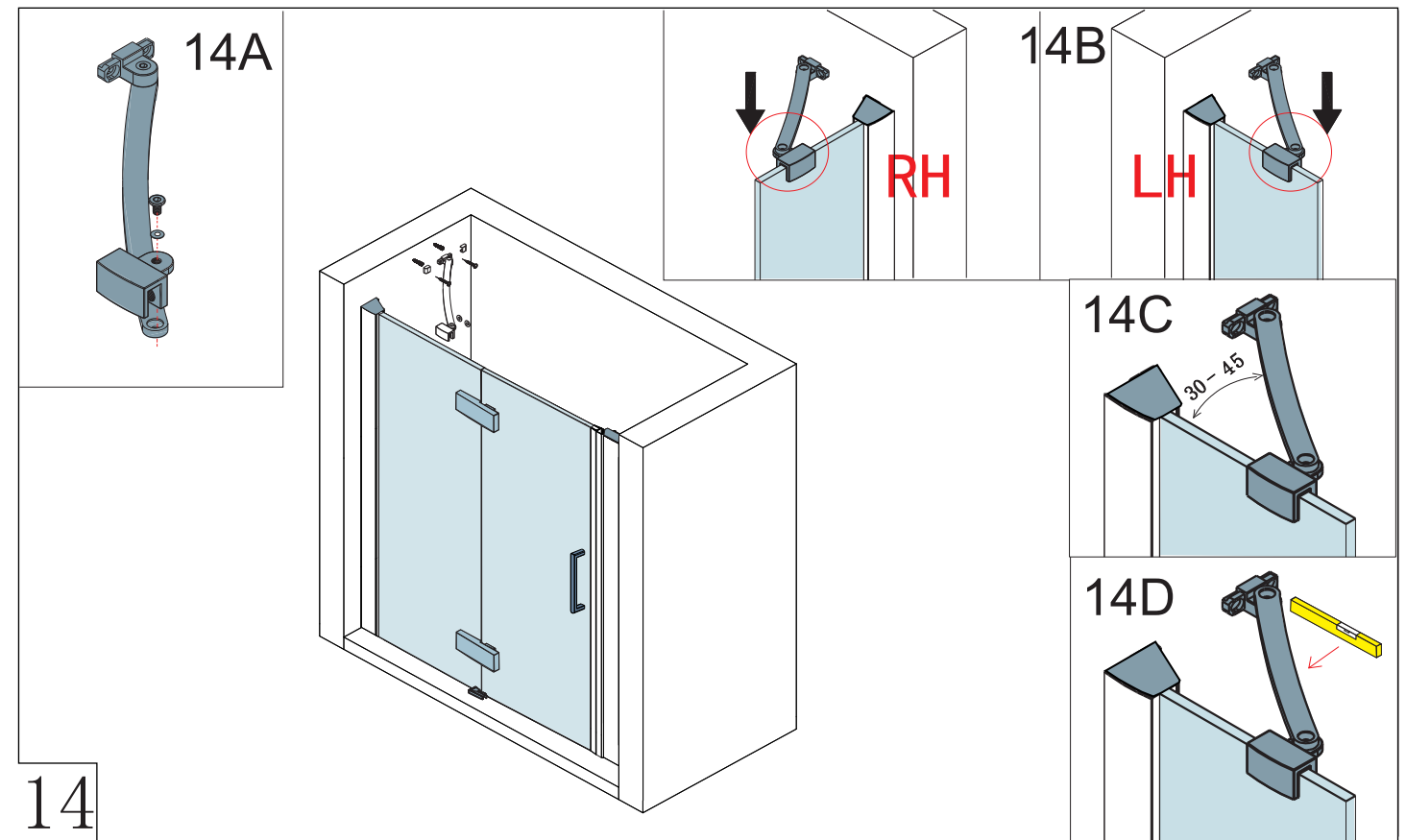
11



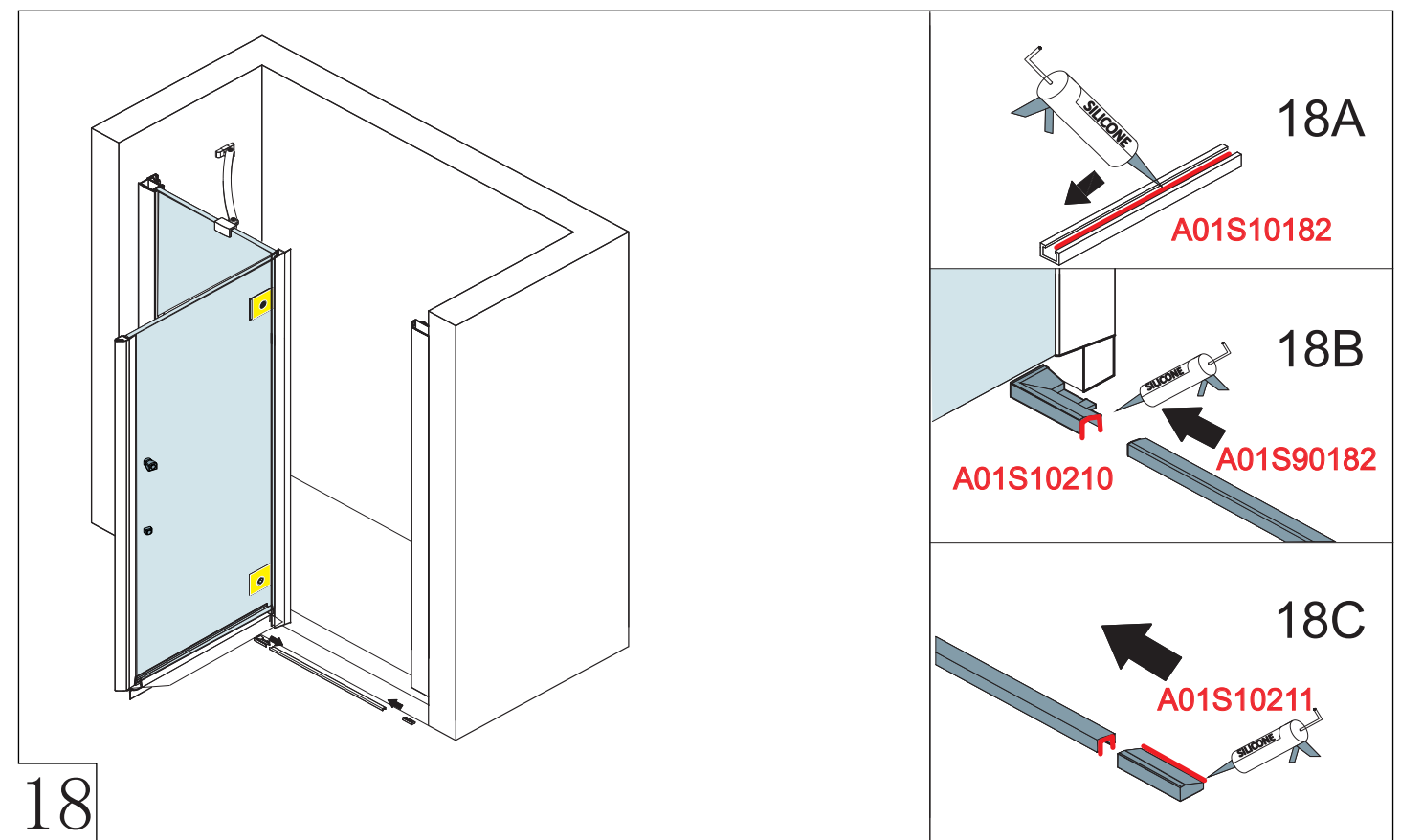
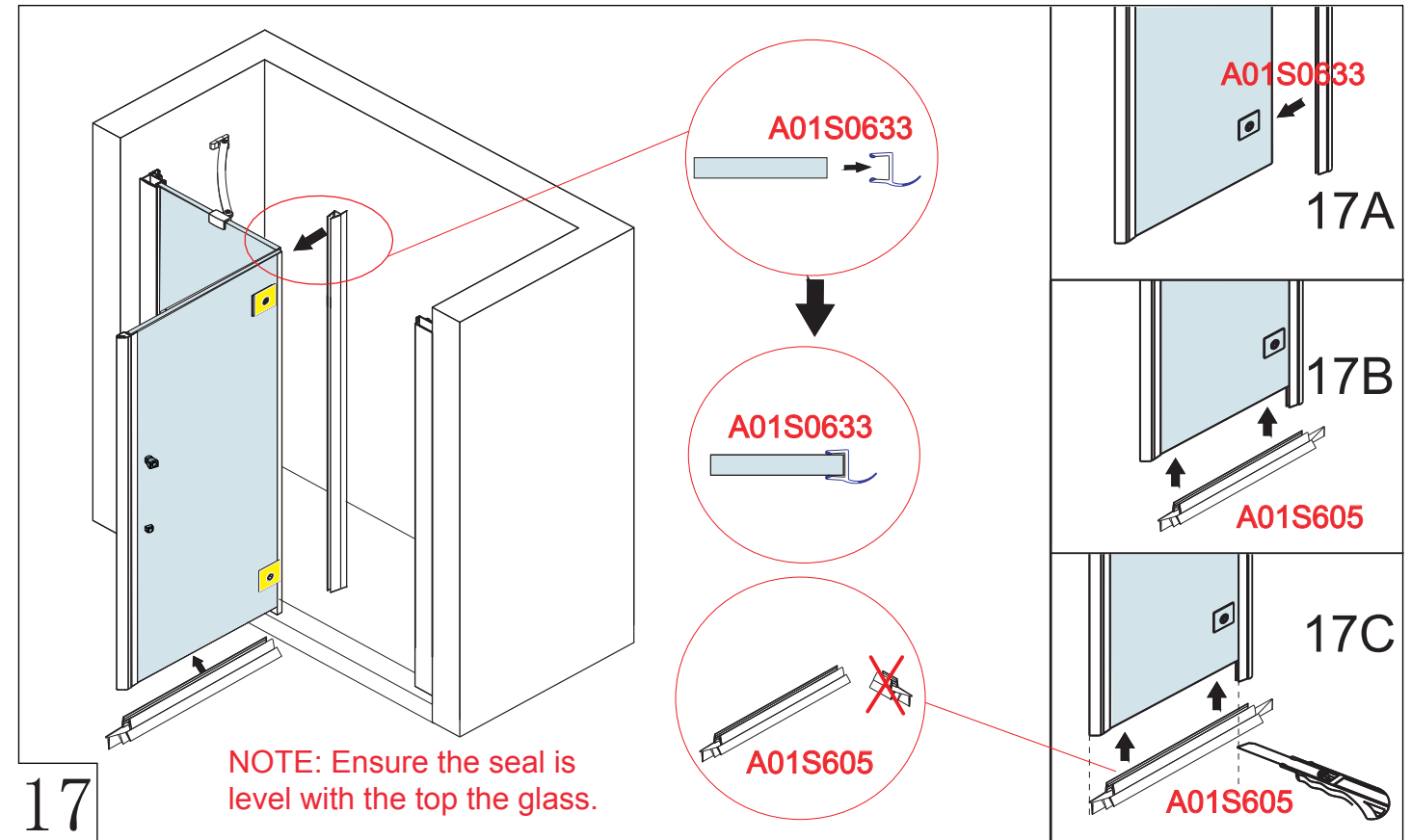
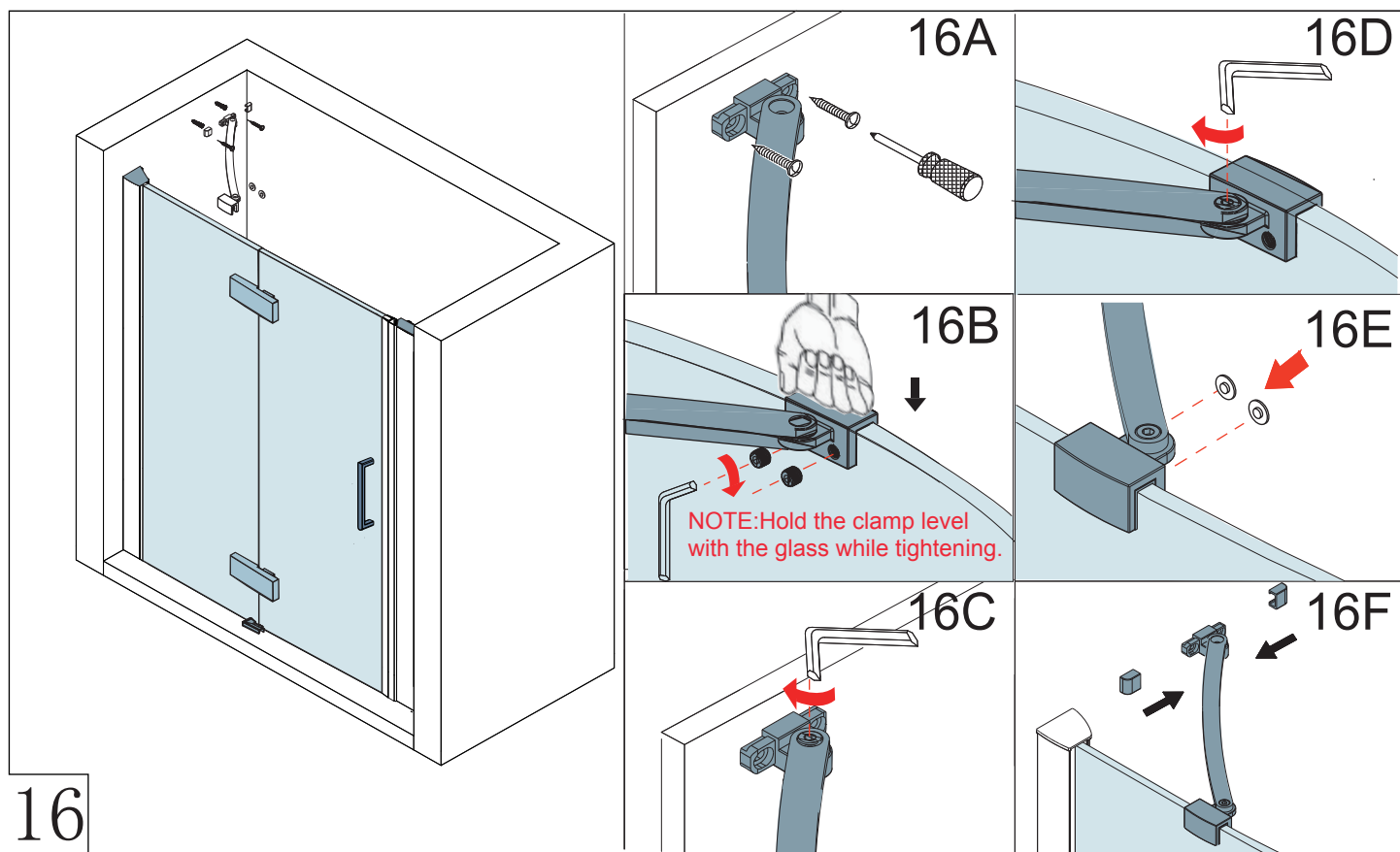
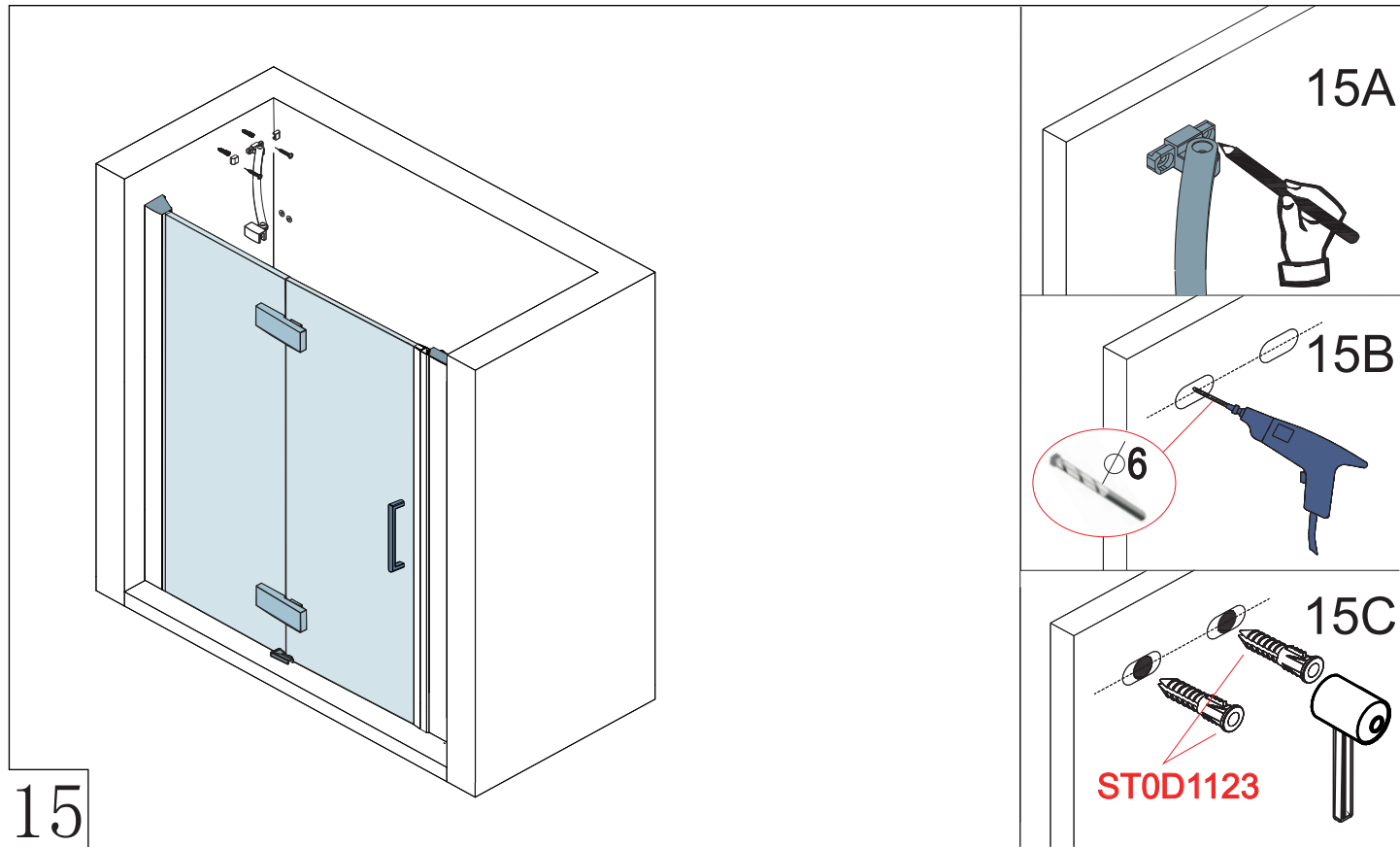
13

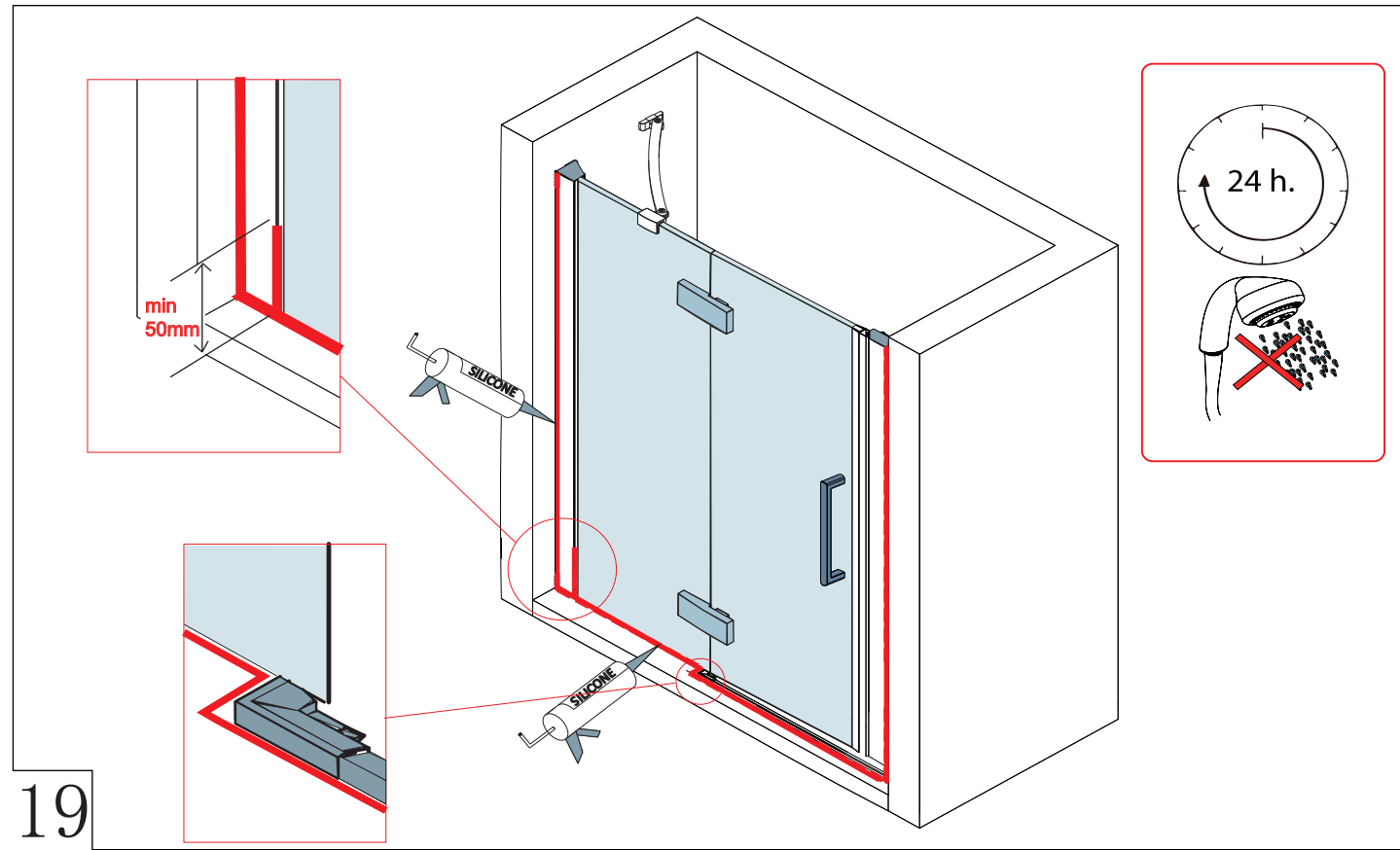


12



14





HINGE DOOR WITH SIDE PANEL

IMPORTANT

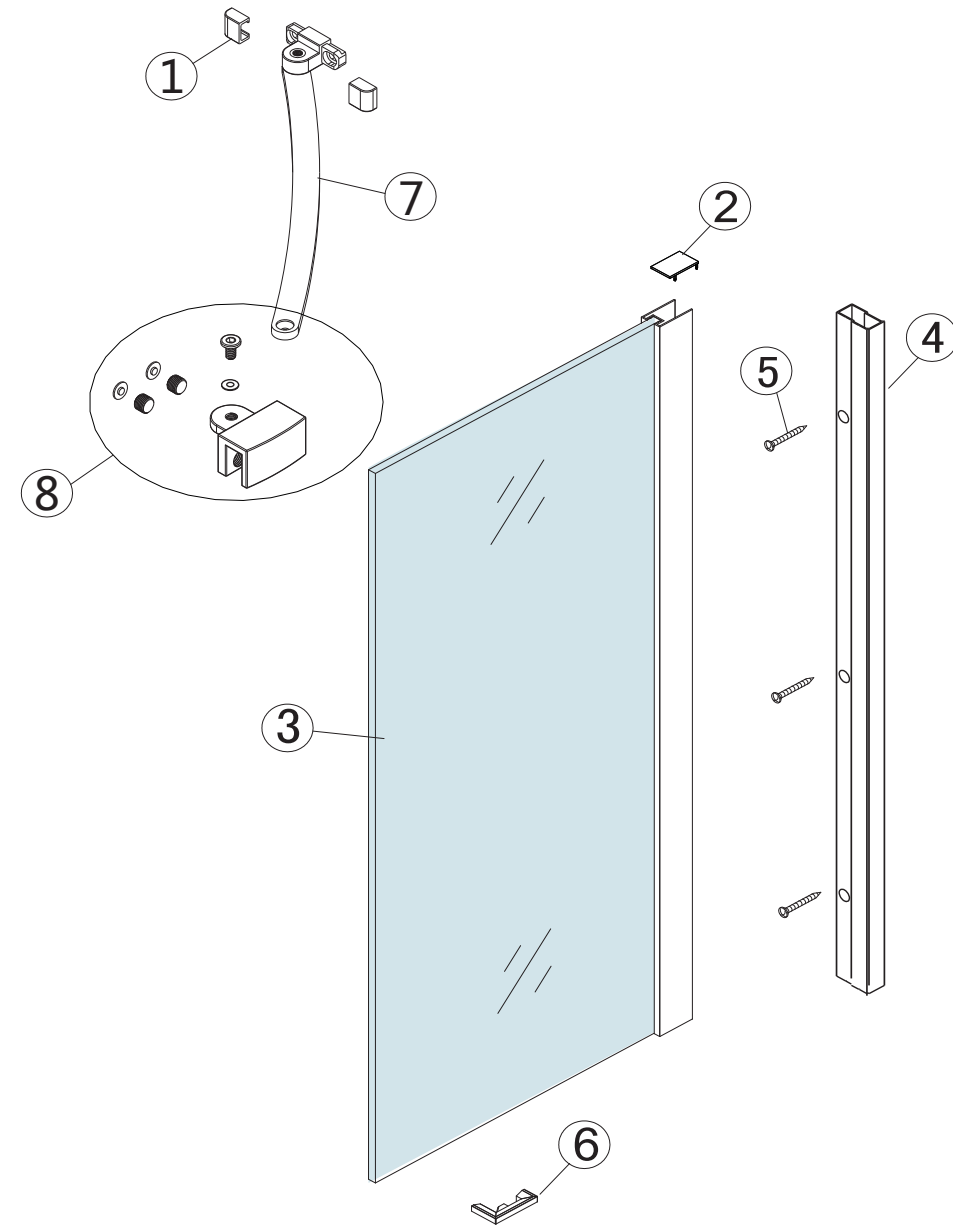
Thank you for choosing Merlyn. Please familiarise yourself with the fitting instructions before commencing fitting.

- 1 Check that you have the tools required
- 2 Check that the installation site is compatible with size of door supplied
- 3 Check all the enclosure components
- 4 Check that the installation kit is complete

DO NOT attempt to install the product unless you can tick **ALL 4** boxes as satisfactory.
 The wall plugs supplied with the installation kit are for use in solid walls. Hollow or 'stud - partition' walls will require alternative fixings. Please consult a hardware supplier for the correct type.
 It may also be necessary to consult your tiling supplier about the correct method for drilling your tiles.

USE SAFETY EYEWEAR WHEN DRILLING

Any parts missing or damaged must be reported to your supplier within 5 days of purchase. Inspect shower enclosure before fitting. No claims will be accepted after product has been installed.



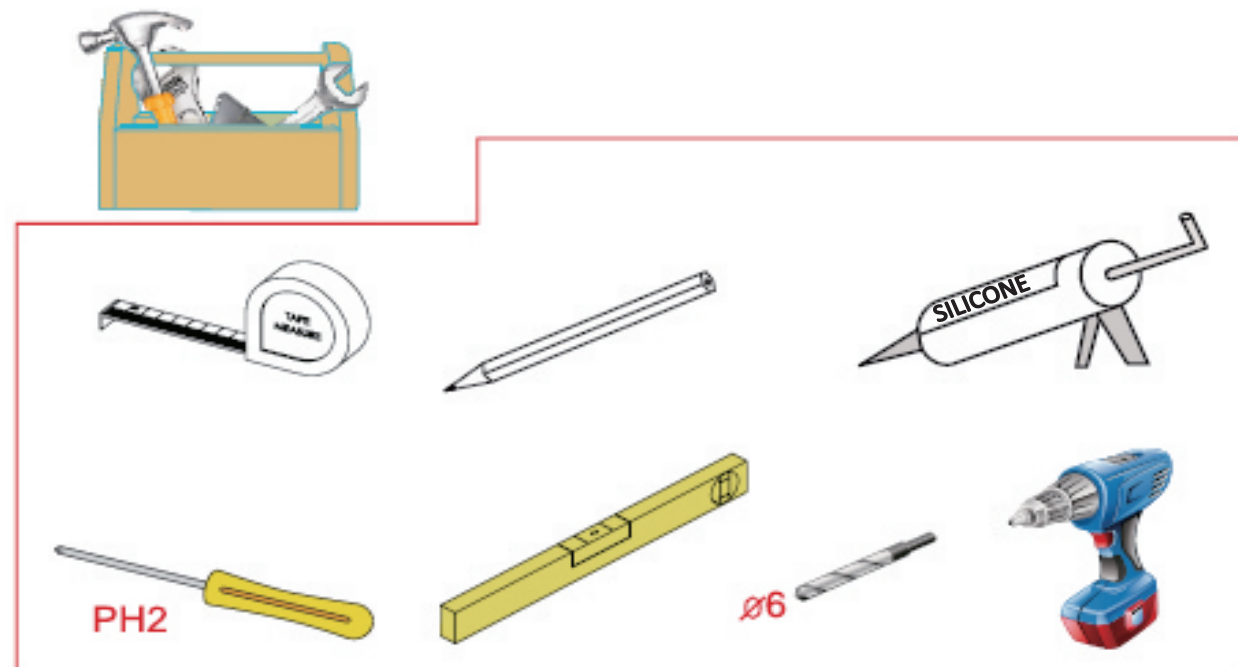
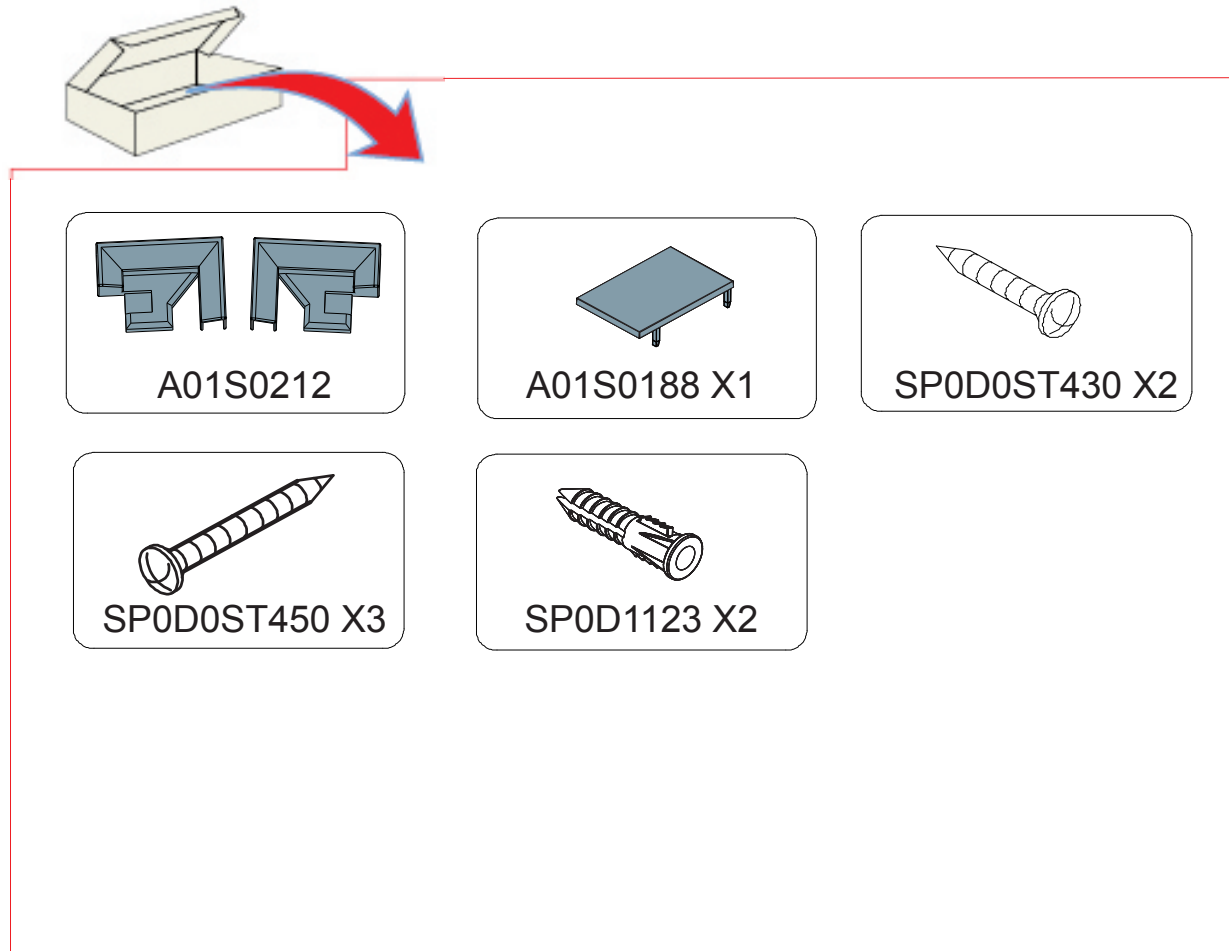
No.	Qty	Description	Part No.	No.	Qty	Description	Part No.
①	2	Bracing bar cover cap	A01S0619	⑥	1	Side panel footplate	A01S0212
②	1	Upright profile cap	A01S0188	⑦	1	Bracing bar	B
③	1	Side panel	A	⑧	1	Bracing bar clamp	A01S0289
④	1	Extension profile	A0114D0				
⑤	3	Pan head screw 4 x 50	SP0D0ST450				

MERLYN

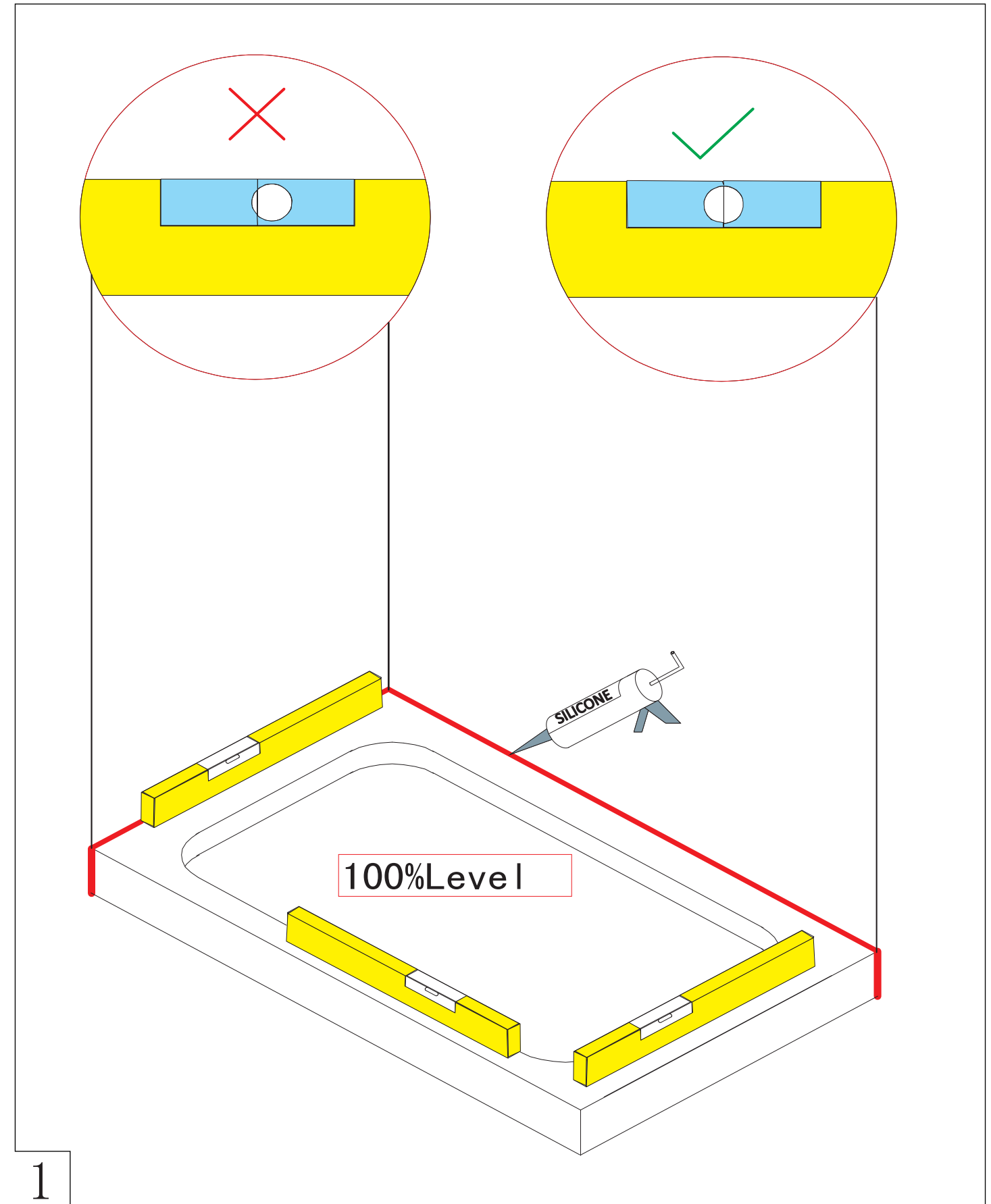
6 | series FRAMELESS

MERLYN

6 | series FRAMELESS



17.



18.

Option A

Size	Y
760	690-730
800	730-770
900	830-870
1000	930-970
1100	1030-1070
1200	1130-1170
1400	1330-1370
1500	1430-1470

Size	X
760	710-730
800	750-770
900	850-870

Option B

Size	Y
800+	770-790
900+	870-890
1000+	970-990
1100+	1070-1090
1200+	1170-1190
1400+	1370-1390
1500+	1470-1490

Size	X
760	710-750
800	750-790
900	850-890

