

SCHWAN - 600 / 800 mm

MATERIALS

- **Door manufacture:**
 - **Mirror doors:** 13mm laminated particle board + 3mm mirror moon. PVC edging with PUR glue.
 - **Side Panels (Thickness = 16 mm):**
 - **Gloss white:** high gloss laminated particle board.
 - **Structure fabrication (thickness = 16mm):** laminated particle board.
- * All panels used in the manufacture of this unit are classed as E-1 grade with low level of formaldehyde content.
- * Edges according to design: PVC (edged with PUR glue)



E-1

STANDARD
EN 120

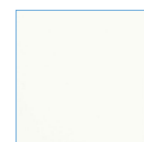


SOFT
CLOSING

HARDWARE AND ACCESSORIES

- **Hinges:** Soft closing doors.
- **Shelves:** Glass shelves
 - 600 mm - 2 uds.
 - 800 mm - 4 uds.

Finishes

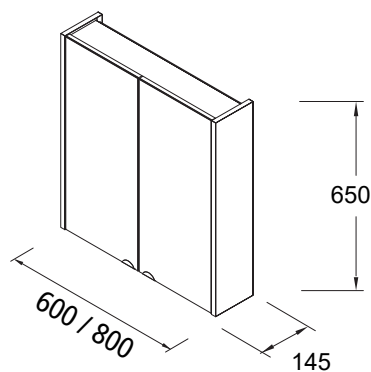


Gloss white

Observations

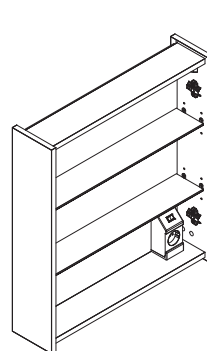
- Cabinet with switch and socket.

Dimensional sketch

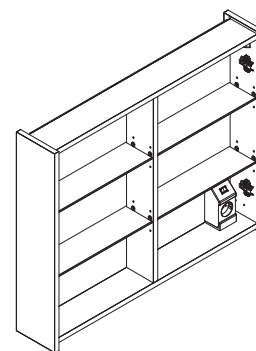


Packaging dimensions and weight (mm).

	600	800
Lenght mm.	645	815
Depth mm.	205	
Height mm.	720	710
Net weight Kg.	12,4	16,2
Gross weight Kg	13,6	17,6



Inside 600 mm



Inside 800 mm