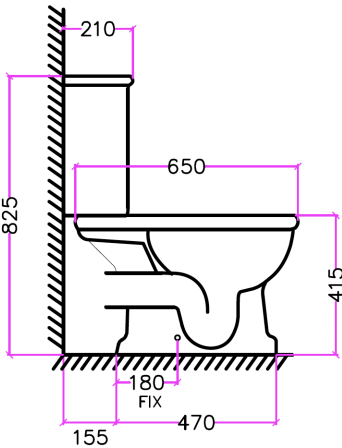


PARIS LAVATORY PAN WITH CLOSE COUPLED CISTERN

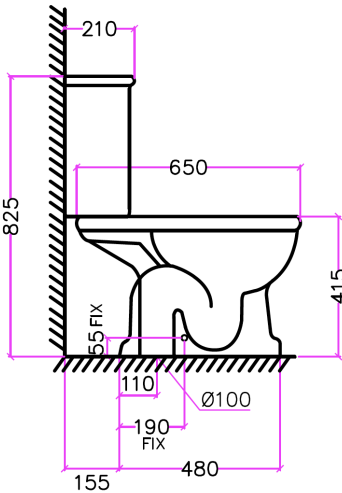
The Paris lavatory pan goes very well with the original French basins with softer detailing. It is also available to use with a low level, high level or concealed cistern and available as an S or P-trap.



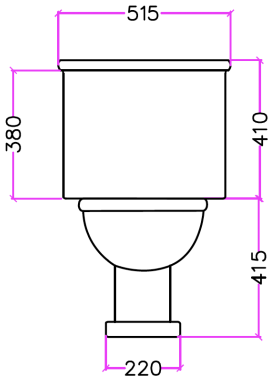
Side view with p-trap pan



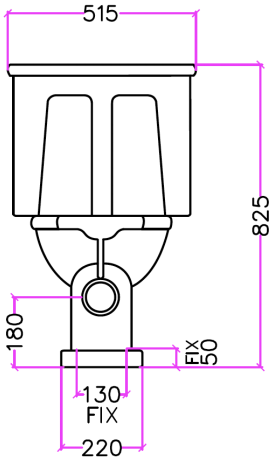
Side view with s-trap pan



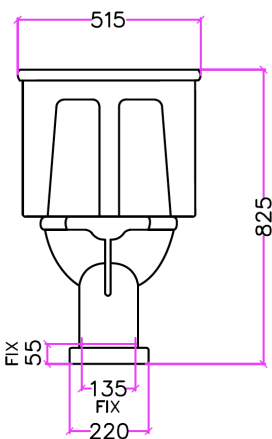
Front view of p and s-trap pans



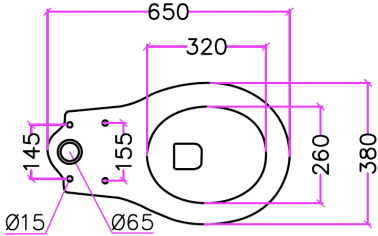
Back view with p-trap pan



Back view with s-trap pan



Ariel view of p and s-trap pans

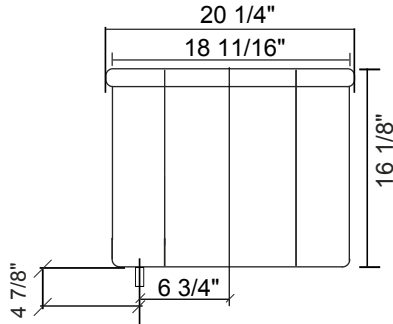


THE
WATER/
MONOPOLY

PARIS LAVATORY PAN WITH CLOSE COUPLED CISTERN

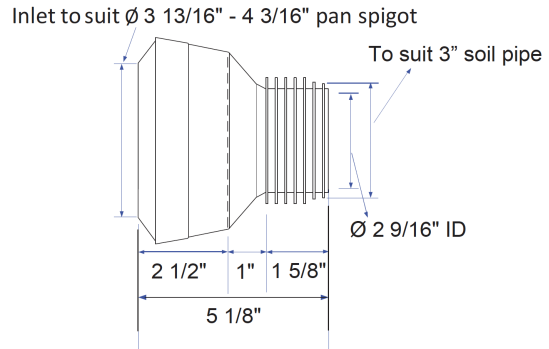
(Page 2/2)

Cistern inlet pipe position diagram



Supplied with a straight service valve kit

Mac 3" Pan Adaptor for US



Technical Details

Assembly/Configuration: 2 piece water closet + cistern

Bowl shape: Elongated

Flush motion: Flush handle

Flush position: Right hand

Flush Primary Material: Brass

Flushing Technology: Syphonic Flush / Dudley Turbo

Depth max: 650mm

Height max: 825mm

Inlet connection size: 1/2"

Inlet connection type: Male Threading

Installation type: Wall hung cistern / coupled to

pan cistern width: 515mm

Cistern width: 515mm

Outer Rim Shape: Elongated

Rim height: 415mm

Application: Bathroom / Cloakroom

Water Pressure Maximum: 6.0 bar (85.0 psi)

Water Pressure Minimum: 1.5 bar (20.0 psi)

Water Pressure Recommended: 3.0 bar (45.0 psi)

Outlet size: 102mm (4")

Water consumption: 6 litre (1.585 US gallons)

Optional straight china pan connector available

Product Notes

All dimensions are in millimeters (or inches where available) and based on original specifications and are subject to change and variation.

THE
WATER/
MONOPOLY