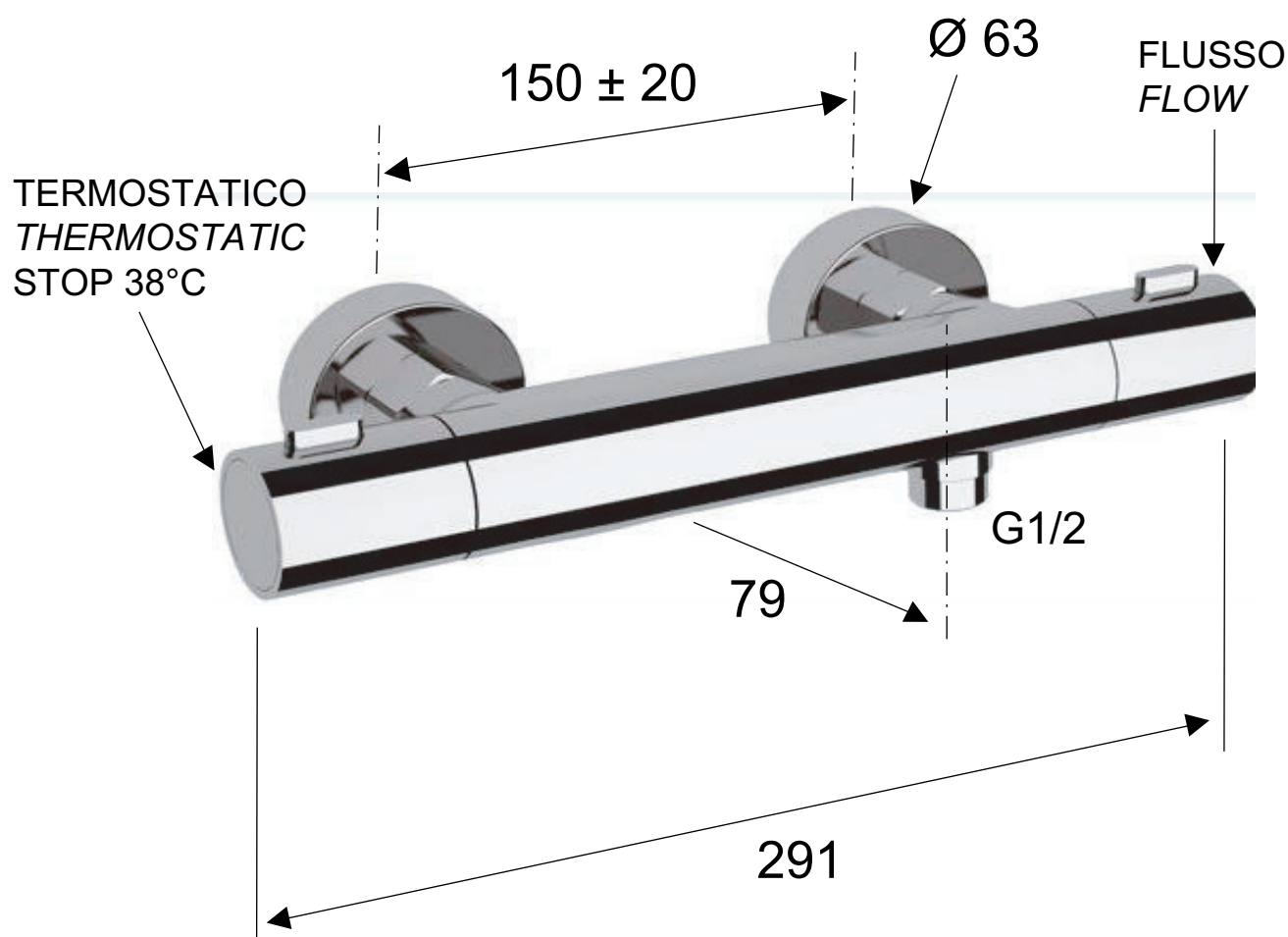


ART. COD. **XF611**



### MATERIALI / MATERIALS

OTTONE CROMATO / CHROME PLATED BRASS  
ABS CROMATO / CHROME PLATED ABS

**CROMATURA / CHROME PLATING**

UNI EN 248