




36 060 845

• cover plate 78 x 78 mm



|                                                                                    |                       |               |
|------------------------------------------------------------------------------------|-----------------------|---------------|
|  | Brushed Chrome        | 36 060 845-93 |
|  | Chrome                | 36 060 845-00 |
|  | Brushed Platinum      | 36 060 845-06 |
|  | Dark Chrome           | 36 060 845-19 |
|  | Brushed Light Gold    | 36 060 845-27 |
|  | Matte Black           | 36 060 845-33 |
|  | Brushed Dark Platinum | 36 060 845-99 |

**Required miscellaneous**



**Concealed wall-mounted single-lever mixer -** 35 860 970 90

- max. recess depth 95 mm
- min. recess depth 80 mm



## LISSÉ Concealed single-lever mixer with cover plate - Brushed Chrome

---

LISSÉ

36 060 845

### Codes & Standards

---

DIN 4109

ISO 3822

Ü-Zeichen

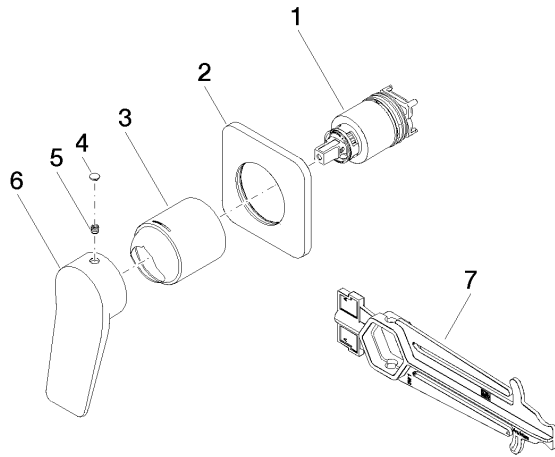
### Certificates

---

LGA\_29

36 060 845

**Product version from 4/1/2024**





# LISSÉ Concealed single-lever mixer with cover plate - Brushed Chrome

LISSÉ

36 060 845

## Spare parts list

### Product version from 4/1/2024

| No. | Item Number        | Name      | Quantity used | Delivery time |
|-----|--------------------|-----------|---------------|---------------|
|     | 90 15 05 046 02 90 | cartridge | 7             | 2             |