

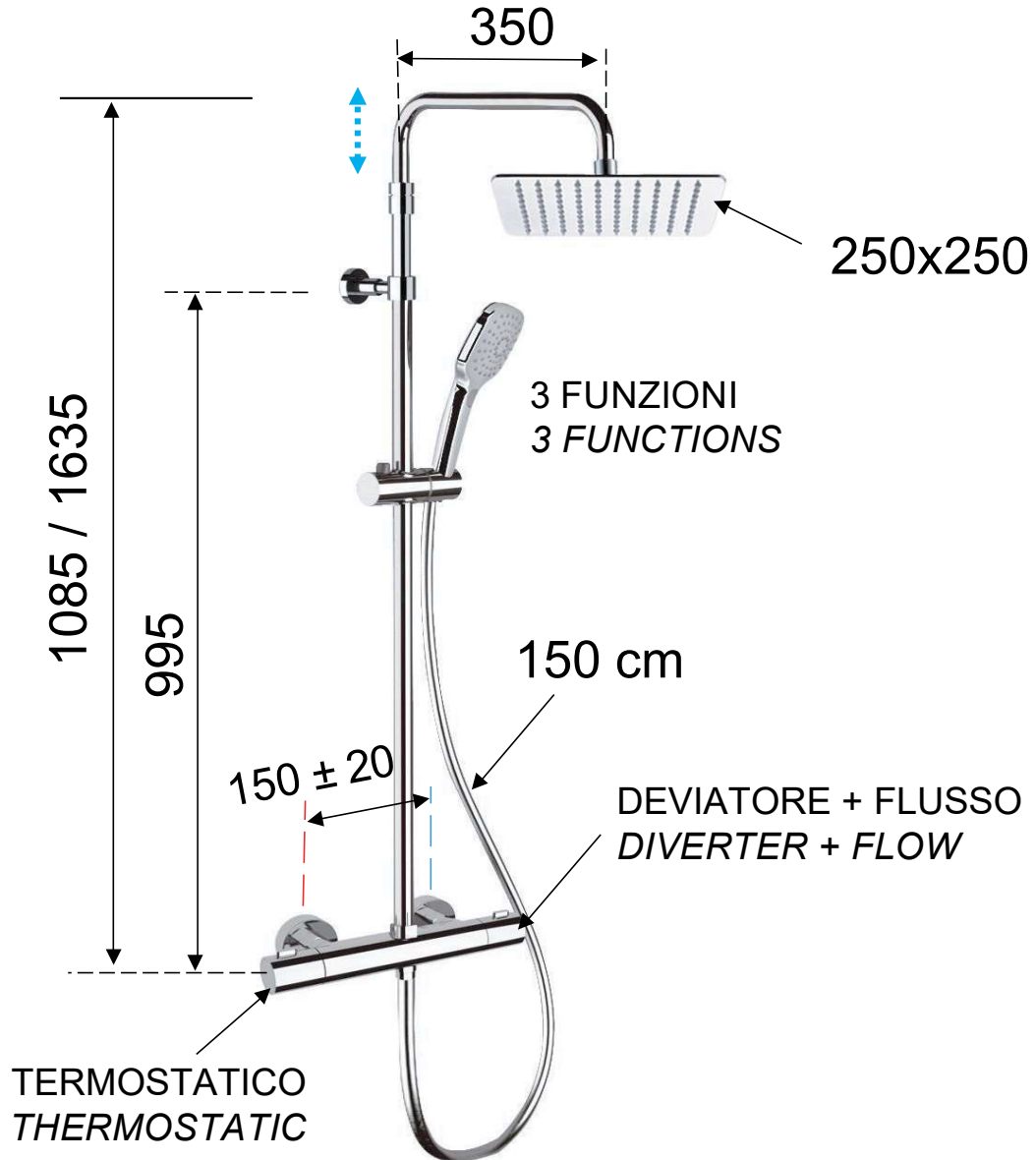


**DANIEL**

SCHEDA TECNICA TECHNICAL FEATURES

ART. COD.

**XF636A3CP7725**



### MATERIALI / MATERIALS

OTTONE CROMATO / CHROME PLATED BRASS  
ABS CROMATO / CHROME PLATED ABS - INOX - SILICONE

### CROMATURA / CHROME PLATING

UNI EN 248

Via Leonardo da Vinci 53 20062 Cassano d'Adda (MI) Italy Tel. +39-0363 62651  
info@daniel.it www.daniel.it