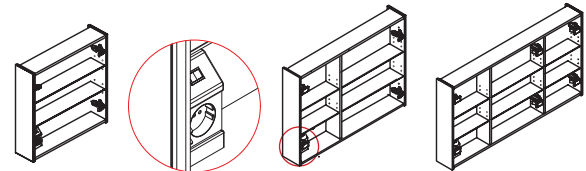


## ALLIANCE Mirror Cabinet with upper and lower light- 630 / 830 / 1030 / 1222

### MATERIALS

- **Mirror door:** Moon 6 mm thick with mirror on both sides.
- **Side Panels (Thickness = 16 mm):** laminated particle board.
- **Sturture fabrication:** laminated particle board.
- \* All panels used in the manufacture of this unit are classed as E-1 grade with low level of formaldehyde content.
- \* Chants according to the finish of the cabinet: Acrylic, PVC, ABS. (chamfered with PUR glue)



### HARDWARE AND ACCESSORIES

- **Hinges:** Soft closing doors.
- **Shelves:** Glass shelves adjustable in height. 600 / 700 = 2 units; 800 = 4 units; 900 / 1000 / 1200 = 6 units.
- **Hangers:** High-strength hanger with two independent regulations certified according to DIN 68840 (equivalent to 130 kg final load per set).

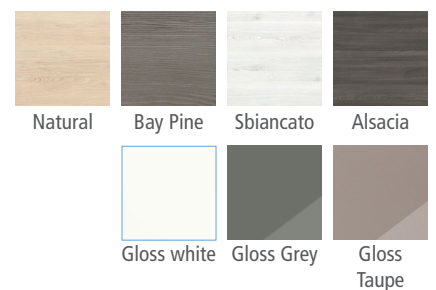
### LED lighting

- **Luminaires:** The cabinet has 2 15x15 LED strips. An upper one with front lighting and a lower one for basin lighting.

### Interior finishes

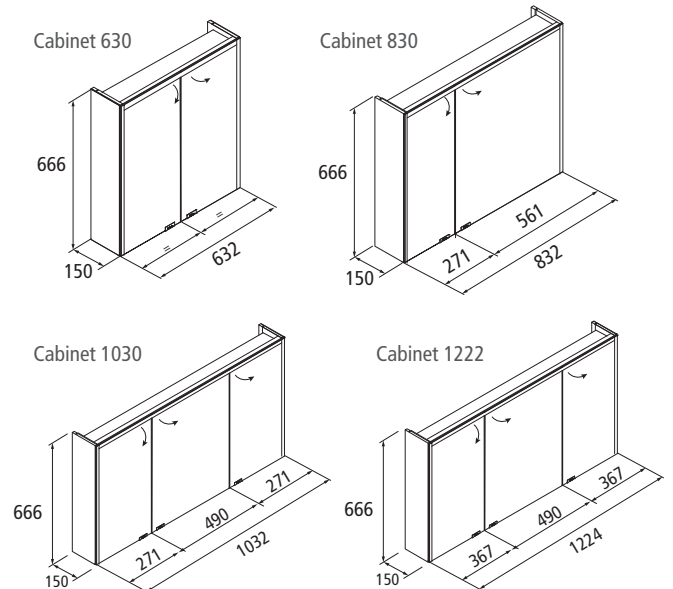


### Side panel finishes



	630	830	1030	1222
Powe (W)	20 W	20 W	20 W	20 W
Luminous flux (lm)				
T <sup>a</sup> Color (K)	5700 K			
Light type	Neutral (daylight)			
Insulation class	CII			
Protection level	IP44			
Nominal voltage	230V ~ 50 Hz			
Energy classification	A+			

### Sketch (measures in mm.)

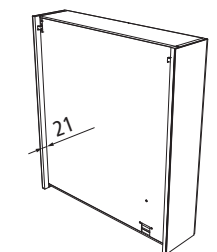


### Dimensions and packaging weight according to the furniture

	600	700	800	900	1000	1200
Lenghtmm.	655	745	845	945	1045	1235
Depth mm.	200	195	200	195	200	195
Height mm.	720	710	720	710	710	710
Net weight Kg.	13,33	16	17,8	19,7	21,79	23,3
Gross weight kg	14,5	17,1	19,3	21	23,4	25

### Observations

- Cabinet with switch and plug. Prepared for direct connection to 220v network.



Free space at the back