



DANIEL

SCHEDA TECNICA TECHNICAL FEATURES

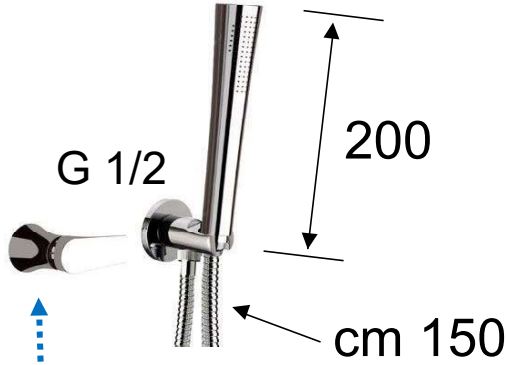
ART. COD.

DV4441CA

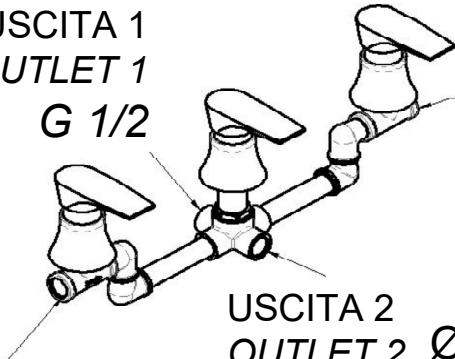
G 1/2



DEVIATORE
DIVERTER

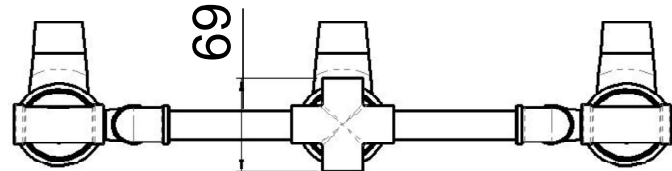


USCITA 1
OUTLET 1
G 1/2

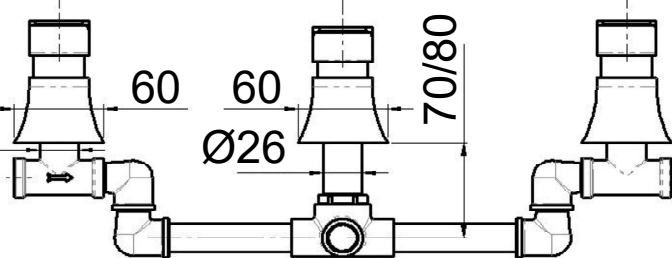


USCITA 2
OUTLET 2
G 1/2

ENTRATA
ACQUA CALDA
HOT WATER
INLET
G 1/2



ENTRATA ACQUA FREDDA
COLD WATER INLET
G 1/2 190±10 190±10



MATERIALI / MATERIALS

OTTONE CROMATO / CHROME PLATED BRASS

CROMATURA / CHROME PLATING

UNI EN 248