

## Sink S3000 1385 062

Sinks

Code: 1385 062



### DETAILS

Material	AISI 304 stainless steel
Texture	Foster brushed
Base	90 cm
Edge/Installation Type	Flush-mount   Top-mount
Dimensions	873x513 mm
Standard fittings	Fixing hooks, gasket, drain, overflow and siphon, boxed packing
Mixer holes	1 standard hole
Built-in hole	View technical data sheet (for all Flush-mount / Top-mount models and Under-mount models)
Drainer	No

Width 87 cm

---

Bowl dimension 400x400 + 340x400mm

---

Number of bowls 2 bowls

---

Waste fitting 3,5" drain

---

## FEATURES

**Basket 3,5" waste fitting** The drain is equipped with a large 3.5" drain, with the practical basket cap that prevents the discharge of solid parts. The 3.5 "drain allows the use of the Foster waste-disposer, compatible with all models.

---

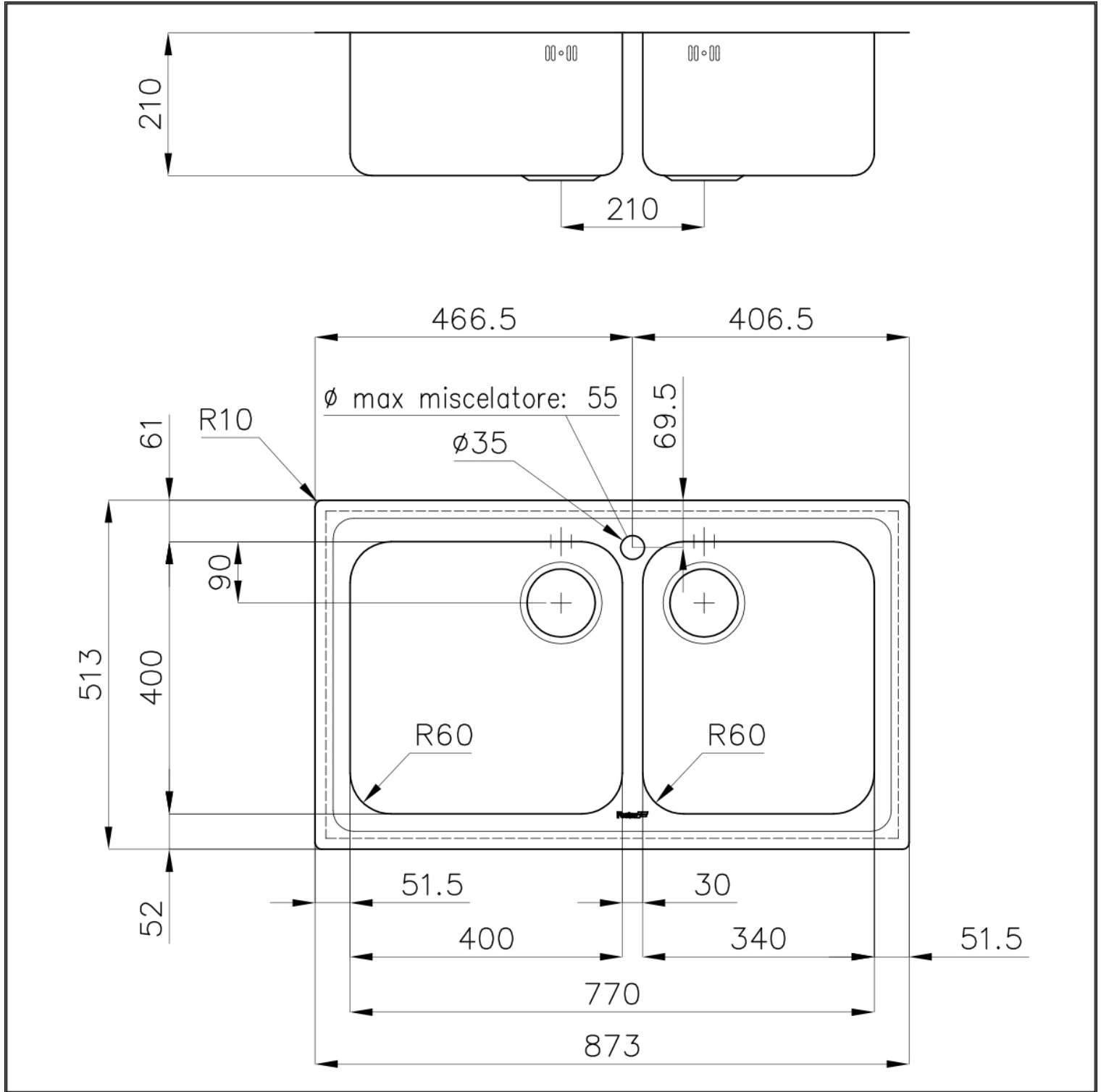
**Deep bowls** This bowls reach an important depth, over 20 cm, thanks to the advanced production technology, that can be offer great capiciency and practicity in all the washing operations.

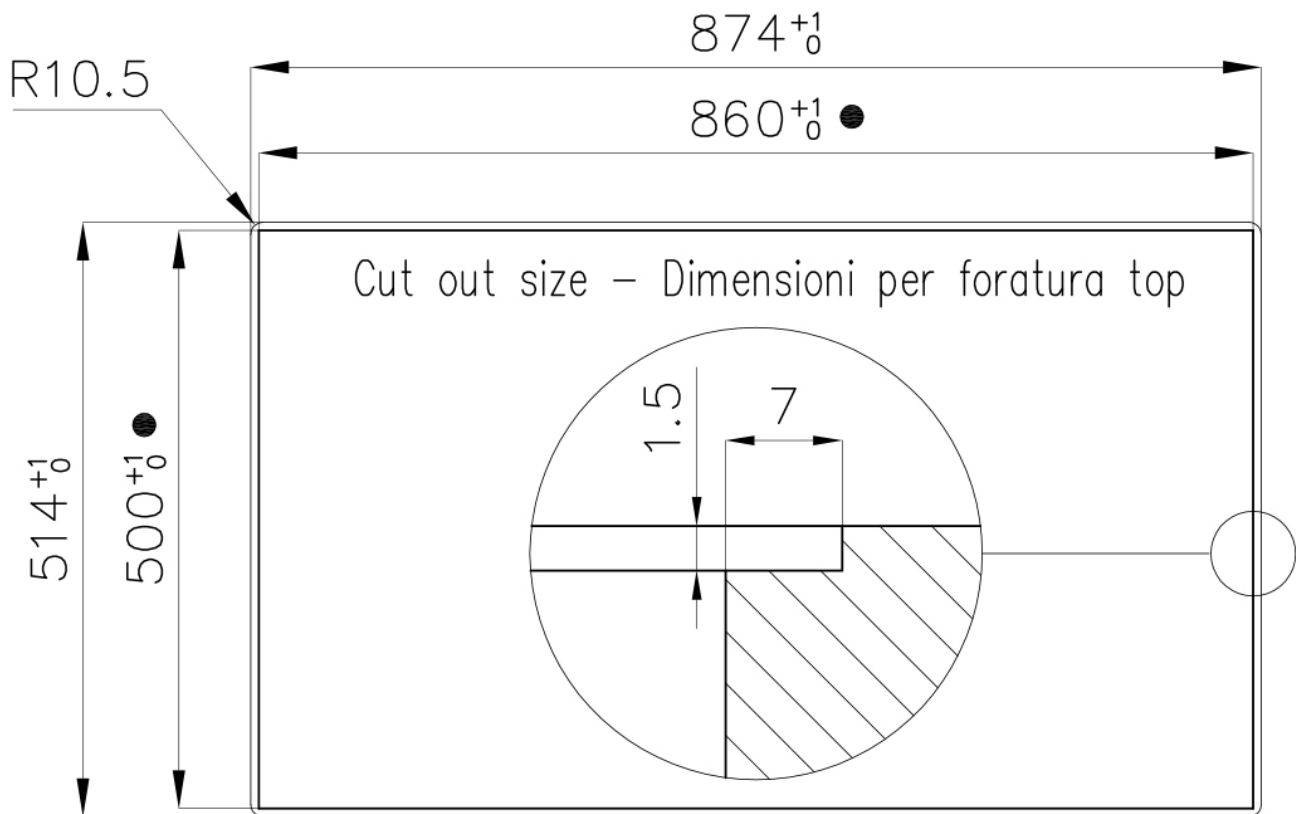
---

**High thickness** 1mm thick steel. A significant thickness, which guarantees the maximum sturdiness and durability.

---

## TECHNICAL DATA





- Built-in cut out for FTS – Foratura per installazione FTS

## GALLERY



## OPTIONAL ACCESSORIES



Cestello inox 8612 000



Glass chopping board 8631 300



HPDE Chopping board 8657 001



HPDE Twin chopping board 8644 101



Iroko-wood chopping board 8646 000



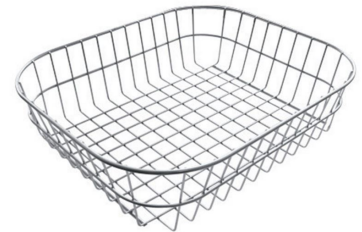
Iroko-wood chopping board 8647 000



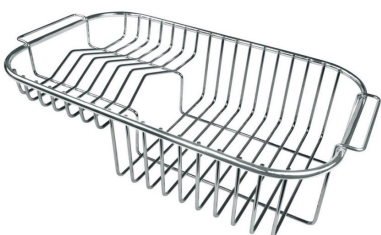
Iroko-wood chopping board with stainless steel colander 8644 042



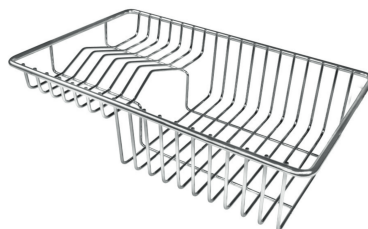
Iroko-wood sliding chopping board 8644 041



Stainless steel basket 8611 000



Stainless steel plate rack 8100 301



Stainless steel plate rack 8100 303



White bowl 8153 100

**WARNING:**

The accessories 8159101, 8100303,8151000 are only usable in combination with 8644101