



# IB RUBINETTI

Collection

**BOLD**

Article

**B2410**

Description

**Three holes wall mounted shower with two ways diverter**

Box Dimensions

**240 x 215 x 110 mm**

Weight

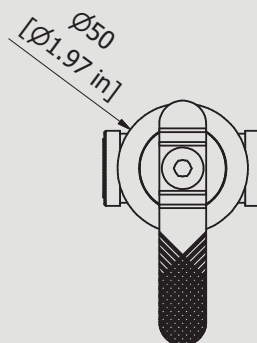
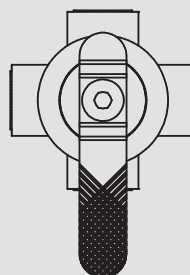
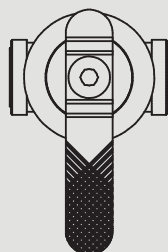
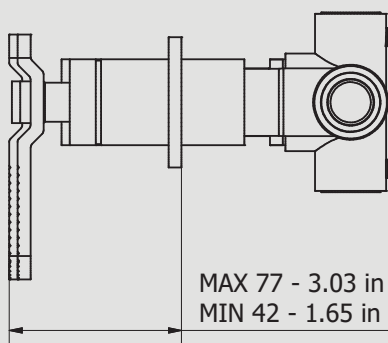
**2.8 kg**

Finishes

- **CC**  
CHROME
- **CF**  
BLACK CHROME
- **OO**  
GOLD
- **BB**  
ANTIQUÉ BRONZE
- **SS**  
BRUSHED NICKEL
- **CS**  
BRUSHED BLACK CHROME
- **BO**  
MATT WHITE
- **NP**  
MATT BLACK
- **IS**  
BRUSHED PALE GOLD
- **OS**  
BRUSHED GOLD
- **II**  
PALE GOLD
- **RR**  
ANTIQUÉ COPPER
- **RS**  
ROSE GOLD
- **ON**  
NATURAL BRASS
- **SR**  
BRUSHED ROSE GOLD
- **PL**  
PLATINUM



Dimensions



Cartridge

**G1/2" ceramic cartridge**

Threaded fitting

**G1/2" female**

Aerator

Flow Rate (+/-10%)

**1 BAR  
28 l/min**

**2 BAR  
40 l/min**

**3 BAR  
49.3 l/min**

Production

**Main body is a single casted pieces**

Material

**BRASS**  
According to CuZn35Pb2Al-B (CB752S)  
Max Lead content: 1.36%

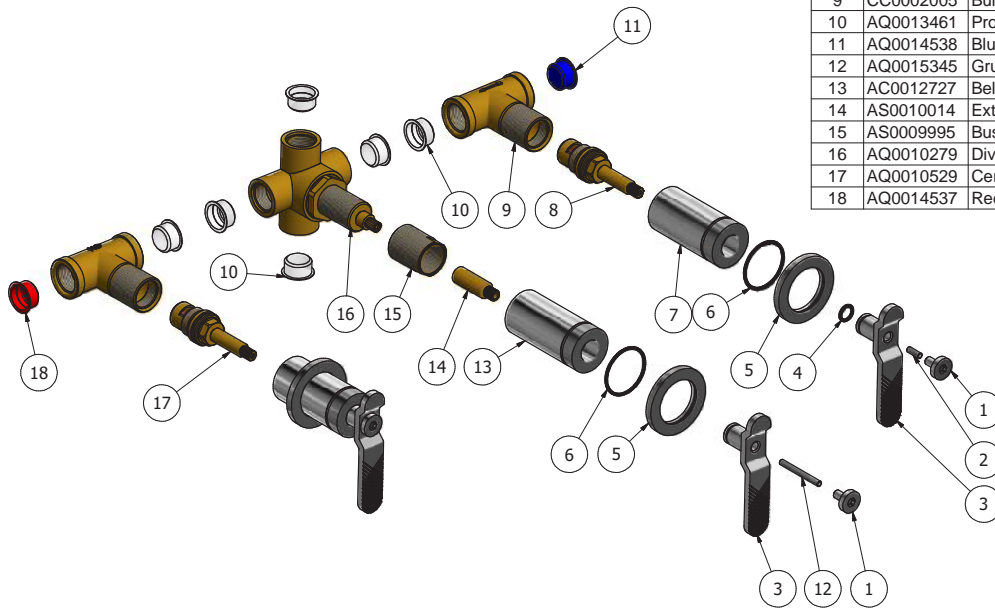
IB RUBINETTERIE s.p.a  
via dei Pianotti 3/5  
25068 Sarezzo (BS) - Italy -

T. +39 030 802101  
F. +39 030 803097  
info@ibrubinetterie.it

P.IVA 01785230986  
capitale sociale  
€420.000,00 i.v.

WWW.IBRUBINETTI.IT





Parts list			
ELEM	CODE	DESCRIPTION	QT
1	AC0015171	Screw Ø16 M4 H16	3
2	AQ0014996	Grubscrew M4x12 flat point	2
3	CC0002278	Handle 18 L94 H30.5 8x20	3
4	AQ0004180	OR 9.25x1.78 NBR 70 SH	2
5	AC0015183	Ring Ø50 Ø33.5 H5 knurl	3
6	AQ0008026	OR 33.05x1.78 NBR 70 SH	3
7	AC0015170	Bell Ø33 M301 26x19 H67	2
8	AQ0010528	Ceramic headwork 90° DX H38.5 8x20	1
9	CC0002005	Built-in stopcocks G1/2"	2
10	AQ0013461	Protecting cap thread Ø19	6
11	AQ0014538	Blu thread's protecting cap Ø19	1
12	AQ0015345	Grubscrew M4x40 flat point	1
13	AC0012727	Bell Ø33 26x19 H70	1
14	AS0010014	Extension for diverter's rod	1
15	AS0009995	Bush for headwork W26 x 19 W22 x 19	1
16	AQ0010279	Diverter 2 in - 2 out complete short	1
17	AQ0010529	Ceramic headwork 90° SX H38.5 8x20	1
18	AQ0014537	Red thread's protecting cap Ø19	1

**WARRANTY**

All IB Rubinetterie SpA products are warranted for 10 years from the date of purchase, for the following cases:

- Defects of casting, porosity and chrome plating.
- Operating defects caused by incorrect fabrication.

The warranty provides for repair or replacement of products with fabrication defects recognized by our technical office. There is no other type of compensation anche the merchandise must be returned FOB our warehouse. The warranty only cover surface defects (scatches, dings, etc.) on fitting that have not been installed and used, returned in its original packaging with all components. O-ring, gasket seals and components subject to wear proportional to use are warranted for 2 years.

**The warranty is void in the following cases:**

Error installing and putting the product into service.

Deterioration of finished surfaces due to use of cleaning products containing acids or abrasive substances. Deterioration of surface with finishes other than chrome plating. Their durability is, in fact, dependent on the user's care and gentleness of use.

Deterioration of the fitting due incorrect installation.

Improper repairs and maintenance performed without the company's prior authorization.

The warranty from IB Rubinetterie SpA is not renewable.

**Cleaning**

We recommended cleaning the finish surfaces with water and soap, using a soft cloth.

Do not use detergents that contain hydrochloric acid or abrasive substances.

