

Original instructions

DEXTER
POWER






PLD3120
ELECTRIC SPRAY GUN




ADEO Services, 135 Rue Sadi Carnot - CS 00001, 59790 RONCHIN - France

Made in P.R.C. 2020

Symbol Explanation

	WARNING - To reduce the risk of injury, user must read instruction manual
	The product complies with the applicable European Directives and an evaluation method of conformity.
	Safety Class II
	Do not dispose of electrical equipment in the Domestic waste.
	This product is recyclable. If it cannot be used anymore, please take it to waste recycling centre.

Technical Data	
Max. viscosity	50 DIN-s
Voltage	220-240V
Power	400W
Double insulation	
Sound pressure level	84 dB(A) [K =3dB (A)]
Sound power level	95 dB(A) [K =3dB (A)]
Oscillation level	$< 2.5\text{m/ s}^2, K=1.5\text{m/ s}^2$
Weight	1.40Kg



WARNING! Read all safety warnings and all Instructions .

operating the equipment. Save these instructions



GENERAL POWER TOOL SAFETY WARNINGS

WARNING Read all safety warnings and all instructions. Failure to follow the warnings and instructions may result in electric shock, fire and/or serious injury.

Save all warnings and instructions for future reference.

The term "power tool" in the warnings refers to your mains-operated (corded) power tool or battery-operated (cordless) power tool.

1) Work area safety

- a) **Keep work area clean and well lit.** Cluttered or dark areas invite accidents.
- b) **Do not operate power tools in explosive atmospheres, such as in the presence of flammable liquids, gases or dust.** Power tools create sparks which may ignite the dust or fumes.
- c) **Keep children and bystanders away while operating a power tool.** Distractions can cause you to lose control.

2) Electrical safety

- a) **Power tool plugs must match the outlet. Never modify the plug in any way. Do not use any adapter plugs with earthed (grounded) power tools.** Unmodified plugs and matching outlets will reduce risk of electric shock.
- b) **Avoid body contact with earthed or grounded surfaces, such as pipes, radiators, ranges and refrigerators.** There is an increased risk of electric shock if your body is earthed or grounded.
- c) **Do not expose power tools to rain or wet conditions.** Water entering a power tool will increase the risk of electric shock.
- d) **Do not abuse the cord.** Never use the cord for carrying, pulling or unplugging the power tool. Keep cord away from heat, oil, sharp edges or moving parts. Damaged or entangled cords increase the risk of electric shock.
- e) **When operating a power tool outdoors, use an extension cord suitable for outdoor use.** Use of a cord suitable for outdoor use reduces the risk of electric shock.
- f) **If operating a power tool in a damp location is unavoidable, use a residual current device (RCD) protected supply.** Use of an RCD reduces the risk of electric shock.

3) Personal safety

- a) **Stay alert, watch what you are doing and use common sense when operating a power tool. Do not use a power tool while you are tired or under the influence of drugs, alcohol or medication.** A moment of inattention while operating power tools may result in serious personal injury.
- b) **Use personal protective equipment. Always wear eye protection.** Protective equipment such as dust mask, non-skid safety shoes, hard hat, or hearing protection used for appropriate conditions will reduce personal injuries.
- c) **Prevent unintentional starting. Ensure the switch is in the off-position before connecting to power source and/or battery pack, picking up or carrying the tool.** Carrying power tools with your finger on the switch or energising power tools that have the switch on invites accidents.
- d) **Remove any adjusting key or wrench before turning the power tool on.** A wrench or a key left attached to a rotating part of the power tool may result in personal injury.
- e) **Do not overreach. Keep proper footing and balance at all times.** This enables better control of the power tool in unexpected situations.
- f) **Dress properly. Do not wear loose clothing or jewellery. Keep your hair, clothing and gloves away from moving parts.** Loose clothes, jewellery or long hair can be caught in moving parts.
- g) **If devices are provided for the connection of dust extraction and collection facilities, ensure these are connected and properly used.** Use of dust collection can reduce dust-related hazards.

4) Power tool use and care

- a) **Do not force the power tool. Use the correct power tool for your application.** *The correct power tool will do the job better and safer at the rate for which it was designed.*
- b) **Do not use the power tool if the switch does not turn it on and off.** *Any power tool that cannot be controlled with the switch is dangerous and must be repaired.*
- c) **Disconnect the plug from the power source and/or the battery pack from the power tool before making any adjustments, changing accessories, or storing power tools.** *Such preventive safety measures reduce the risk of starting the power tool accidentally.*
- d) **Store idle power tools out of the reach of children and do not allow persons unfamiliar with the power tool or these instructions to operate the power tool.** *Power tools are dangerous in the hands of untrained users.*
- e) **Maintain power tools. Check for misalignment or binding of moving parts, breakage of parts and any other condition that may affect the power tool's operation. If damaged, have the power tool repaired before use.** *Many accidents are caused by poorly maintained power tools.*
- f) **Keep cutting tools sharp and clean.** *Properly maintained cutting tools with sharp cutting edges are less likely to bind and are easier to control.*
- g) **Use the power tool, accessories and tool bits etc. in accordance with these instructions, taking into account the working conditions and the work to be performed.** *Use of the power tool for operations different from those intended could result in a hazardous situation.*
- 5) **Service**
- a) **Have your power tool serviced by a qualified repair person using only identical replacement parts.** *This will ensure that the safety of the power tool is maintained.*
- 6) **Addition Safety for Spray Gun**
- a) **Do not use guns for spraying flammable materials.**
- b) **Beware of any hazard presented by the material being sprayed and consult the markings on the container or the information supplied by the manufacture.**
- c) **Do not spray any material where the hazard is not known.**
- d) **Always wear a dust mask while spraying.**
- e) **Recommend to wear ear protection during the operation.**
- f) **Do not clean guns with flammable solvents.**
- g) **Warning! Remove the plug from the socket before carrying out any adjustment, servicing or maintenance.**
- h) **If the supply cord of this power tool is damaged, it must be replaced by a specially prepared cord available through the service organization.**
- i) **If the carbon brushes need to be replaced, have this done by a qualified repair person (always replace the two brushed at the same time).**

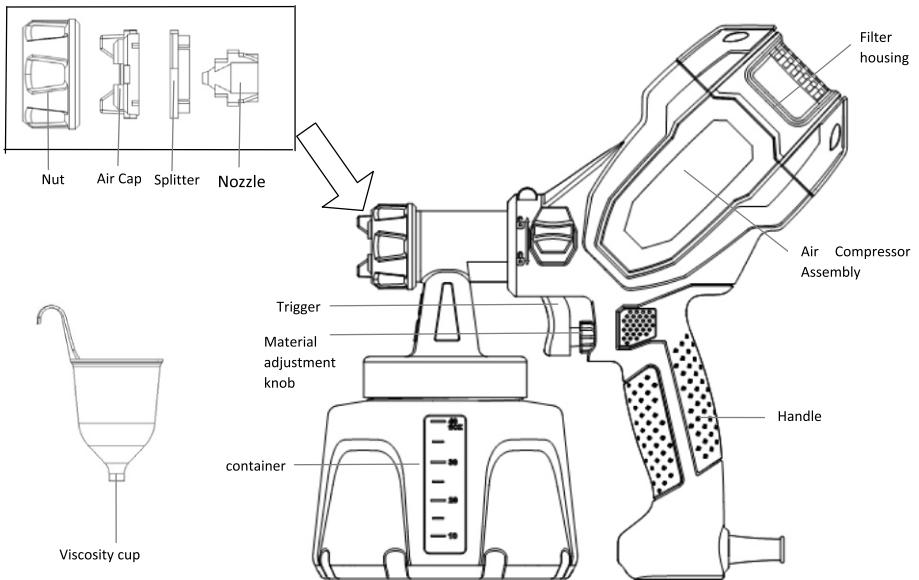
Coating Material Suitable for Use

Water- and solvent-based paints, emulsion paint, finishes, primers, 2-component paints, Clear finishes, automotive finishes, staining sealers and wood sealer-preserveds.

Coating Material Not Suitable for Use

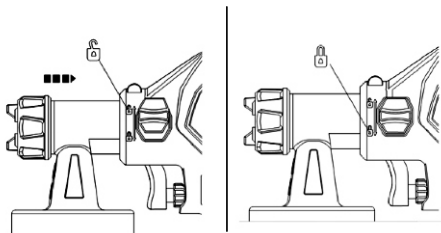
Materials that contain highly abrasive components, facade paint, sealant, caustic solutions and acidic coating substances.
Coating material with a flash point below 21°C.

Components



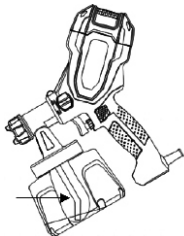
Setup

1. Turn both knobs on both sides of the Air Compressor Assembly to the "Unlock" position, and Insert the spray gun into the Air Compressor Assembly into place,
2. Turn both knobs on both sides of the Air Compressor Assembly to the "Lock" position to lock the two pieces into place.

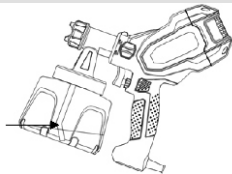


Aligning the Suction Tube

If you are going to be spraying in a downward direction, the angled end of the suction tube should be pointing toward the front of the gun.



If you are going to be spraying in an upward direction, the angled end of the suction tube should be pointing toward the rear of the gun.



By pointing the suction tube in the proper direction, you will not have to refill the container as often..

Material Preparation

Before spraying, the material being used may need to be thinned with the proper solvent as specified by the material manufacturer. Never exceed the thinning advice given by the coating manufacturer.

Do not use materials with a flashpoint below 70°F (21°C). Follow the instructions below.

1. Stir the spraying material thoroughly before measuring viscosity.
2. Dip the viscosity test cup completely into the spraying material.



3. Hold the test cup up and measure the time in seconds until the liquid empties out. This time is referred to below as Runout Time.

Thinning Chart

Material	Runout Time
1) Oil enamel	25-40
2) Oil based primer	30-45
3) Oil stain	No thinning required
4) Clear sealer	No thinning required
5) Polyurethane	No thinning required
6) Varnish	20-50

Material to be sprayed should always be strained to remove any impurities in the paint which may enter and clog the system. Impurities in the paint will give poor performance and a poor finish.



MATERIAL FLASH POINT MUST BE 70°F (21°C) OR HIGHER.

Fill Container

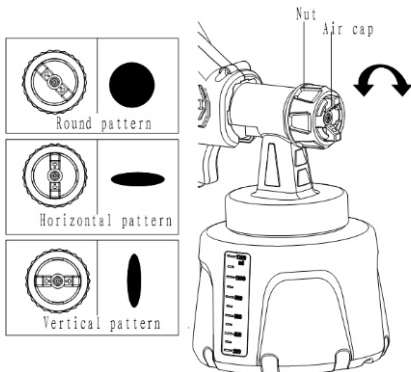
1. Unscrew the cup from the spray gun.
2. After the material has been properly thinned and strained, fill the container to the top of the neck.



3. Carefully screw the cup back onto the spray gun.

Spraying

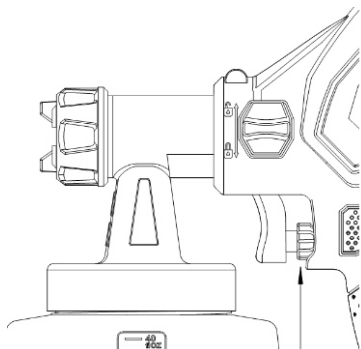
The spray pattern shape is adjusted by turning the ears of the air cap to either the vertical, horizontal, or diagonal positions. The positions of the air cap and the corresponding spray pattern shapes are illustrated below. Test each pattern and use whichever pattern is suitable for your application.



! NEVER trigger the gun while adjusting the ears on the air cap. NEVER point the spray gun at any part of the body.

Material Flow Adjustment

Set the material volume by turning the regulator behind the trigger of the spray gun.



Proper Spraying Technique

If spraying with an HVLP spray system is new or unfamiliar to you, it is advisable to practice on a piece of scrap wood or cardboard before beginning on your intended workpiece.

Surface Preparation

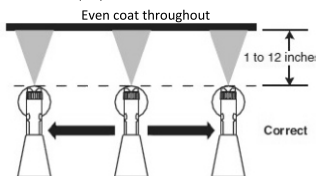
All objects to be sprayed should be thoroughly cleaned before spraying material on them. Areas not to be sprayed may, in certain cases, need to be masked or covered.

Spray Area Preparation - outdoor use only

The spray area must be clean and free of dust in order to avoid blowing dust onto your freshly sprayed surface.

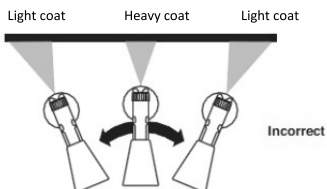
How to Spray Properly

- Position the spray gun perpendicular to and one (1) or more inches from the spray surface, depending upon the spray pattern size desired.
- Spray parallel to the surface with smooth passes at a consistent speed as illustrated below. Doing this will help avoid irregularities in the finish (i. e. runs and sags).
- Always apply a thin coat of material on the first pass and allow to dry before applying a second, slightly heavier coat.
- The closer your sprayer is to the object being sprayed the lower the overspray.



Keep stroke smooth and at an even speed

- When spraying, always trigger the spray gun after spray pass has begun and release trigger before stopping the pass. Always keep the gun pointed squarely at the spray surface and overlap passes slightly to obtain the most consistent and professional finish possible.

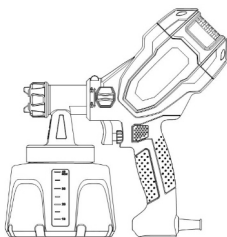


Cleanup

Cleaning the Spray Gun

- Always flush spray gun outside.
- Area must be free of flammable vapors.
- Cleaning area must be well-ventilated.
- **DO NOT SUBMERGE Air Compressor!**

1. Unplug the spray gun, and trigger the spray gun so that the material inside the spray gun flows back into the container.



2. Unscrew the container. Empty any remaining material back into the material container.

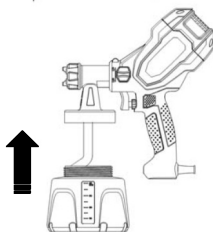


3. Pour a small amount of the appropriate cleaning solution into the cup (warm, soapy water for latex materials; mineral spirits for oil-based materials). **Clean cup and properly dispose of cleaning solution.**

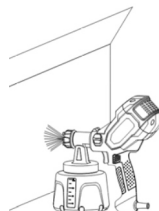


4. Refill the cup with **NEW** cleaning solution.

5. Attach the cup to the gun and plug in the sprayer.



6. Spray the solution through the gun for two seconds in a safe area. Spray again for two seconds. Unplug the spray gun, and trigger the spray gun so that the material inside the spray gun flows back into the container.



7. Wipe the exterior of the cup and gun until clean.



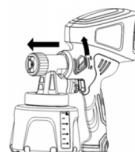
8. Unscrew the nut and remove the air cap and nozzle.

9. Clean the container, suction tube, air cap and nozzle with a cleaning brush and the appropriate cleaning solution.



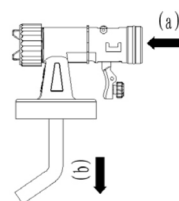
Never clean nozzle or air holes in the spray gun with sharp metal objects. Do not use solvents or lubricants containing silicone.

10. Turn both knobs on both sides of the Air Compressor Assembly to the "Unlock" position, pull and separate the spray gun from the Air Compressor Assembly.



11. (a) Clean the rear of the spray gun with the appropriate cleaning solution.

- (b) Turn the suction tube anti-clockwise and pull the suction tube downward to disassemble it from the spray gun. Then clean the suction tube with the appropriate cleaning solution.



Attention! The Seal Ring (4) between Suction Tube 1(3) and Suction Tube 2 (5) must be put back into place after cleaning. Otherwise, some paint in the container will be sucked into the air duct and interfere with the function of the unit.

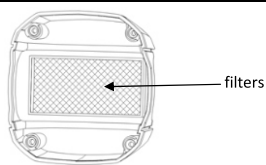
Maintenance

You should inspect the air filter in the Air Compressor Assembly to see if it is excessively dirty. If it is dirty, follow the steps below to replace it.

1. Unplug the spray gun. Remove the filter cover with a tool (such as a flat screw driver)



2. Remove the dirty filters and replace with new ones.

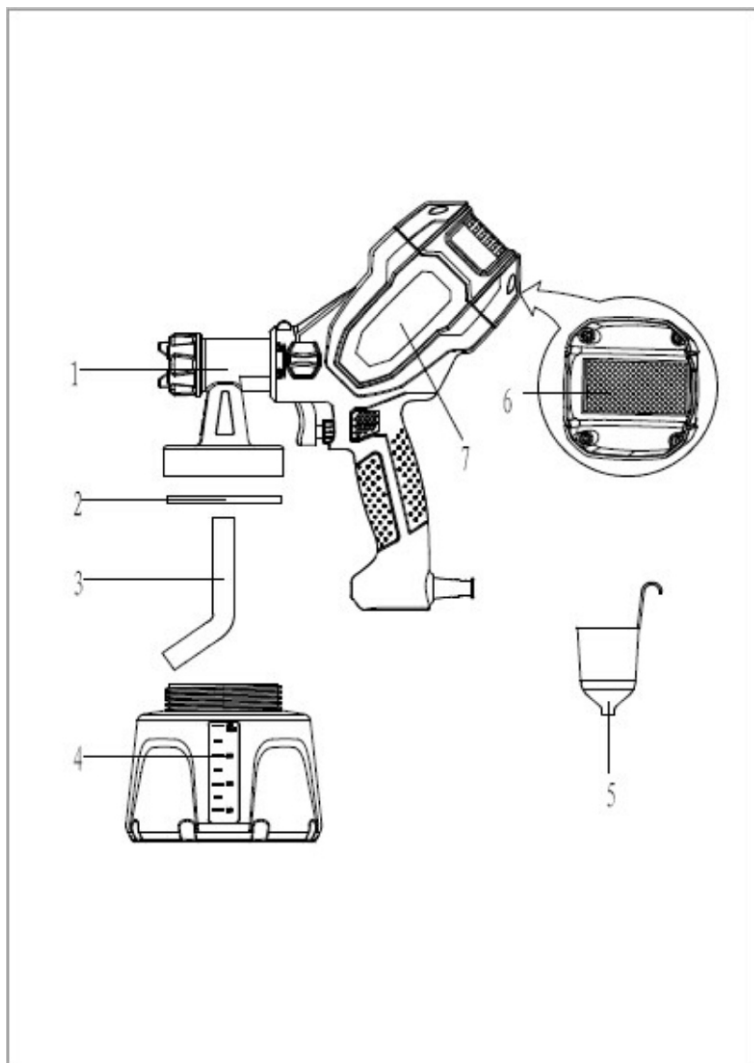


3. Secure the cover back onto the turbine.

Never operate your unit without the air filters. Dirt could be sucked in and interfere with the function of the unit.

Troubleshooting

<u>Problem</u>	<u>Cause</u>	<u>Solution</u>
A. Little or no material flow	<ol style="list-style-type: none"> 1. Nozzle clogged. 2. Suction tube clogged. 3. Material volume setting turned too low(-). 4. Suction tube loose. 5. No pressure build up in container. 6. Air filter clogged. 	<ol style="list-style-type: none"> 1. Clean. 2. Clean. 3. Increase volume setting (+). 4. Insert. 5. Tighten container. 6. Change.
B. Material leaking	<ol style="list-style-type: none"> 1. Nozzle loose. 2. Nozzle worn. 3. Nozzle seal worn. 4. Material build-up on air cap and nozzle 	<ol style="list-style-type: none"> 1. Tighten. 2. Replace. 3. Replace. 4. Clean.
C. Atomization is too coarse	<ol style="list-style-type: none"> 1. Viscosity of material too high. 2. Material volume too large. 3. Material volume setting too high (+). 4. Nozzle clogged. 5. Air filter clogged. 6. Too little pressure build-up in container. 	<ol style="list-style-type: none"> 1. Thin. 2. Decrease volume setting (-). 3. Decrease volume setting (-). 4. Clean. 5. Change. 6. Tighten container.
D. Spray jet pulsates	<ol style="list-style-type: none"> 1. Material in container running out. 2. Air filter clogged. 	<ol style="list-style-type: none"> 1. Refill. 2. Change.
E. Pattern runs or sags	<ol style="list-style-type: none"> 1. Applying too much material. 	<ol style="list-style-type: none"> 1. Adjust material flow or increase movement of spray gun.
F. Too much overspray	<ol style="list-style-type: none"> 1. Gun too far from spray object. 2. Too much material applied. 	<ol style="list-style-type: none"> 1. Reduce distance. 2. Decrease volume setting (-).
G. Pattern is very light and splotchy.	<ol style="list-style-type: none"> 1. Moving the spray gun too fast 	<ol style="list-style-type: none"> 1. Adjust material flow or decrease movement of spray gun.

Parts List

Parts list

Number	Part Description	Quantity
1	Sprayer Assembly	1
2	Container Seal	1
3	Suction Tube	1
4	Container	1
5	Viscosity Cup	1
6	Air Filter	1
7	Air Compressor Assembly	1

Environment



Electrical products must not be thrown out with domestic waste. Recycle them at the special disposal centers provided for the purpose. Contact your local authorities or stockiest for advice on recycling.

The potential effects on the environment and human health as a result of the presence of hazardous substances in electrical and electronic equipment.

For disposal, this tool also can be returned to the hardware store or vendor (or Dexter dealer)

EC DECLARATION OF CONFORMITY (GB)

We declare under our sole responsibility that this PLD3120 400W ELECTRIC SPRAY GUN is in conformity with the following standard or standardized documents.

Batch No: **208994070420**

Machinery Directive 2006/42/EC

Electromagnetic Compatibility Directive 2014/30/EU

ROHS Directive(EU)2015/863 amending Directive 2011/65/EU

and conforms with the norms

EN 60745-1:2009+A11:2010

EN 50580:2012+A1:2013

EN 55014-1:2017

EN55014-2:2015

EN IEC 61000-3-2:2019

EN61000-3-3:2013

IEC 62321-3-1:2013

IEC 62321-4:2013

IEC 62321-5:2013

IEC 62321-6:2015

IEC 62321-7-1:2015

IEC 62321-7-2:2017

IEC 62321-8:2017

Last two number of the year CE marking applied: **20**

Signed in Shanghai 10/01/2020

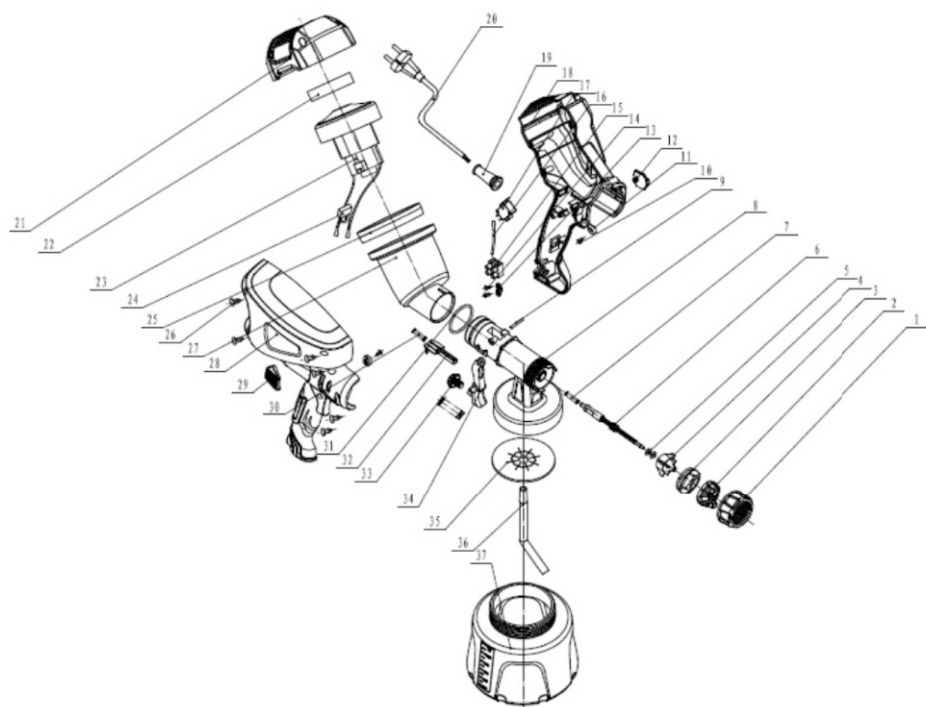


Richie PERMAL

Supplier Quality Leader

Authorized representative of Julien Ledin, ADEO Quality Leader

ADEO Services 135 Rue Sadi Carnot - CS 00001 59790RONCHIN – France



WARRANTY

1. Dexter Power are products are designed to highest DIY quality standards, Dexter Power provides a 24-months warranty for its products, from the date of purchase. This warranty applies to all material and manufacturing defects which may arise. No further claims are possible, of whatever nature, direct or indirect, relating to people and /or materials. Dexter Power products are not directed to professional use.
2. In the event of a problem or defect, you should first always consult your Dexter Power dealer. In most cases, the Dexter Power dealer will be able to solve the problem or correct the defect.
3. Repairs or the replacement of parts will not extend the original warranty period.
4. Defects which have arisen as a result of importer use or wear are not covered by the warranty. Amongst other things, this relates to switches, protective circuit switches and motors, in the event of wear.
5. You claim upon the warranty can only be processed if:
 - . Proof of the purchase date can be provided in the form of a receipt.
 - . No repairs and/or replacements have been carried out by third parties.
 - . The tool has not been subjected to importer use(overloading of machine or fitting non-approved accessories).
 - . There is no damage caused by external influences or foreign bodies such as sand or stones.
 - . There is no damage caused by non-observance of the safety instructions and the instructions for use.
 - . There is no force majeure on our part.
 - . A description of the complaint is enclosed.
6. The warranty stipulations apply in combination with our terms of sale and delivery.
7. Fault tools to be returned to Dexter Power via Dexter Power dealer will be collected by Dexter Power as long as the product is properly packaged. If faulty goods are sent directly to Dexter Power by consumer, Dexter Power will only be able to process these goods if the consumer pays the shipping costs.
8. Products which are delivered in a poorly packaged condition will not be accepted by Dexter Power.



Краскопульт
электрический
HVLP 400 Вт
700 мл/мин
PLD3120

RU Руководство По Технике
Безопасности и
Правовым нормам



Наименование: Чжэцзян Прулд Электрик Эпплайэнс Ко., Лтд.
Адрес: Индастри Девелопмент Зоун, Сяошунь Таун, Цзиньхуа Сити, Чжэцзян, Китай

Сделано в Китае : 03/2020

Копию сертификата соответствия или декларации о соответствии на данный товар можно получить на информационной стойке любого из магазинов Леруа Мерлен Восток.
Лицо уполномоченное принимать претензии по качеству товара: 000 "ЛЕРУА МЕРЛЕН ВОСТОК", 141031, МО, г. Мытищи, Осташковское шоссе, д. 1, РФ

Срок службы (г) : Срок службы 5 лет







дата публикации инструкции: 01/2020

Traduction de la version originale du mode d'emploi / Traducción de las Instrucciones originales / Tradução das Instruções Originais / Traduzione delle istruzioni originali / Μετάφραση του πρωτότυπου οδηγιών / Tłumaczenie instrukcji oryginalnej / Перевод оригинала инструкции / Переклад оригінальної інструкції / Traducerea instructiunilor originale / Original Instructions

EAC



Значение символов

	ПРЕДУПРЕЖДЕНИЕ. Прочитайте руководство по эксплуатации, чтобы уменьшить риск травмирования.
	Продукт соответствует действующим европейским директивам и был оценен в соответствии с ними.
	Класс безопасности II
	Не утилизируйте электрическое оборудование вместе с бытовыми отходами.
	Знак обращения продукции на рынке государств-членов Таможенного союза
	Этот продукт может перерабатываться. Если он больше не пригоден для пользования, сдайте его в утилизационный центр.

Технические характеристики	
Макс. вязкость	50 DIN-с
Напряжение	220–240 В
Мощность	400 Вт
Двойная изоляция	
Уровень звукового давления	84 дБ (А) [К = 3 дБ (А)]
Уровень звуковой мощности	95 дБ (А) [К = 3 дБ (А)]
Уровень колебания	$< 2,5 \text{ м/с}^2$, К = $1,5 \text{ м/с}^2$
Масса	1,4 кг



ПРЕДУПРЕЖДЕНИЕ. Внимательно прочитайте все правила безопасности и инструкции.

Работа с устройством

Сохраните данные инструкции.

**ОБЩИЕ ПРЕДУПРЕЖДЕНИЯ ПО БЕЗОПАСНОСТИ ПРИ****РАБОТЕ С ЭЛЕКТРОИНСТРУМЕНТАМИ**

ПРЕДУПРЕЖДЕНИЕ. Внимательно прочитайте все правила безопасности и инструкции. Несоблюдение этих предупреждений и инструкций может привести к поражению электрическим током, пожару и/или тяжелым травмам.

Сохраните все предупреждения и инструкции для использования в будущем.

Термин «электроинструмент» в предупреждениях означает электрический инструмент с питанием от сети (с кабелем) или электрический инструмент с питанием от батареи (без кабеля).

1) Безопасность рабочего места

a) Обеспечьте чистоту и освещенность рабочей зоны. Загроможденные и плохо освещенные места служат причиной несчастных случаев.

b) Не используйте электроинструменты во взрывоопасных местах, например вблизи горючих жидкостей, газов или пыли. Электроинструменты генерируют искры, которые могут воспламенить пыль или испарения.

c) Не позволяйте детям и другим людям находиться вблизи работающего электроинструмента. Отвлекающие факторы могут привести к потере контроля над инструментом.

2) Электротехническая безопасность

a) Вилка электроинструмента должна соответствовать розетке. Никогда не переделывайте вилку. Не используйте никакие переходники для вилок с заземлением. Использование оригинальных вилок и соответствующих им розеток уменьшает риск поражения электрическим током.

b) Избегайте прикосновений к заземленным объектам, таким как трубы, радиаторы, плиты и холодильники. Существует повышенная опасность поражения электрическим током, если ваше тело заземлено.

c) Не подвергайте электроинструменты воздействию дождя или влаги. При попадании воды в электроинструмент увеличивается риск поражения электрическим током.

d) Обращайтесь с кабелем аккуратно. Никогда не переносите, не тяните и не выключайте электроинструмент за кабель. Не оставляйте кабель вблизи источников тепла, масла, острых предметов или движущихся частей. Поврежденные или запутанные кабели повышают опасность поражения электрическим током.

e) Для работы с электроинструментом вне помещения используйте предназначенный для этого удлинительный кабель. Использование кабеля, подходящего для использования вне помещения, снижает риск поражения электрическим током.

f) Если использование электроинструмента в сыром месте неизбежно, подключайте его через устройство защитного отключения (УЗО). Использование УЗО уменьшает риск поражения электрическим током.

3) Личная безопасность

a) Будьте бдительны, следите за тем, что делаете, и следуйте здравому смыслу при использовании электроинструмента. Не пользуйтесь электроинструментом, если вы устали или находитесь под воздействием наркотиков, алкоголя или медикаментов. Даже кратковременная невнимательность при работе с электроинструментом может привести к тяжелым травмам.

b) Используйте средства индивидуальной защиты. Всегда надевайте защитные средства для глаз. Использование защитных средств, таких как противопылевая маска, нескользкая предохранительная обувь, в соответствующих условиях уменьшает риск травмирования.

c) Не допускайте непредвиденных запусков. Перед подключением электроинструмента к сети питания (или аккумулятору) и перед его переноской убедитесь, что выключатель находится в выключенном положении. Не держите палец на выключателе при переноске электроинструментов и не включайте вилку в розетку, если электроинструмент включен. Это может привести к несчастному случаю.

d) Перед включением электроинструмента снимите с него регулировочные инструменты и гаечные ключи. Гаечный ключ, оставленный на подвижной детали электроинструмента, может вызвать травмы.

e) Не тянитесь. Во время работы всегда сохраняйте устойчивое положение. Это позволит лучше контролировать электроинструмент в непредвиденных ситуациях.

- f) Одевайтесь надлежащим образом. Не надевайте свободную одежду и украшения. Держите волосы, одежду и перчатки подальше от движущихся частей. *Свободная одежда, украшения и длинные волосы могут попасть в движущиеся части.*
- g) При наличии пылеулавливающих устройств убедитесь в том, что они подключены и правильно работают. *Использование пылеулавливателей снижает вред, причиняемый пылью.*
- 4) Использование и обслуживание электроинструмента
- a) Не прилагайте к электроинструменту чрезмерных усилий. Используйте подходящий для ваших задач электроинструмент. *Правильно выбранный электроинструмент безопасен и лучше работает при номинальной мощности.*
- b) Не используйте электроинструмент, если его выключатель неисправен. *Электроинструменты с неисправным выключателем опасны и подлежат ремонту.*
- c) Перед регулировкой, сменой аксессуаров или хранением отключите электроинструмент от сети питания и/или аккумуляторов. *Такие меры предосторожности уменьшают риск случайного запуска электроинструмента.*
- d) Храните неиспользуемые электроинструменты в местах, недоступных для детей, и не доверяйте электроинструмент лицам, не знакомым с ним и с этими инструкциями. *Электроинструменты опасны в руках неподготовленных пользователей.*
- e) Выполняйте техническое обслуживание электроинструментов. Проверьте выравнивание и сцепление подвижных деталей, наличие поломок и прочие условия, которые могут повлиять на работу электроинструмента. В случае повреждения инструмента отремонтируйте его перед использованием. *Многие несчастные случаи вызваны неправильным техобслуживанием электроинструментов.*
- f) Храните режущие инструменты в чистоте и заточенном состоянии. *Правильно обслуживаемые и хорошо заточенные режущие инструменты меньше заклинивают и лучше контролируются.*
- g) Используйте электроинструмент, аксессуары, насадки и т. п. в соответствии с этими инструкциями, учитывая условия и специфику выполняемой работы. *Использование электроинструмента для выполнения непредусмотренных операций может привести к опасным ситуациям.*
- 5) Обслуживание
- a) Ремонт электроинструмента должен производиться квалифицированным специалистом с использованием только идентичных запасных частей. *Это обеспечит безопасную работу электроинструмента.*
- b) Дополнительные правила техники безопасности при обращении с распылителем.
- a) Не используйте устройство для распыления легковоспламеняющихся материалов.
- b) Будьте осторожны при работе с распыляемыми материалами и ознакомьтесь с маркировками на контейнере или получите необходимую информацию у производителя.
- c) Не распыляйте материалы, риски использования которых неизвестны.
- d) Всегда надевайте респиратор во время распыления.
- e) Во время работы с устройством рекомендуется использовать средства защиты глаз.
- f) Не очищайте устройство при помощи легковоспламеняющихся растворителей.
- g) Предупреждение! Всегда извлекайте вилку из розетки перед регулировкой или обслуживанием.
- h) Если кабель питания инструмента поврежден, обратитесь для его замены в сервисный центр.
- i) Если необходимо заменить угольные щетки, это должен сделать квалифицированный специалист по ремонту (всегда заменяйте две щетки одновременно).

Пригодные к использованию материалы покрытия

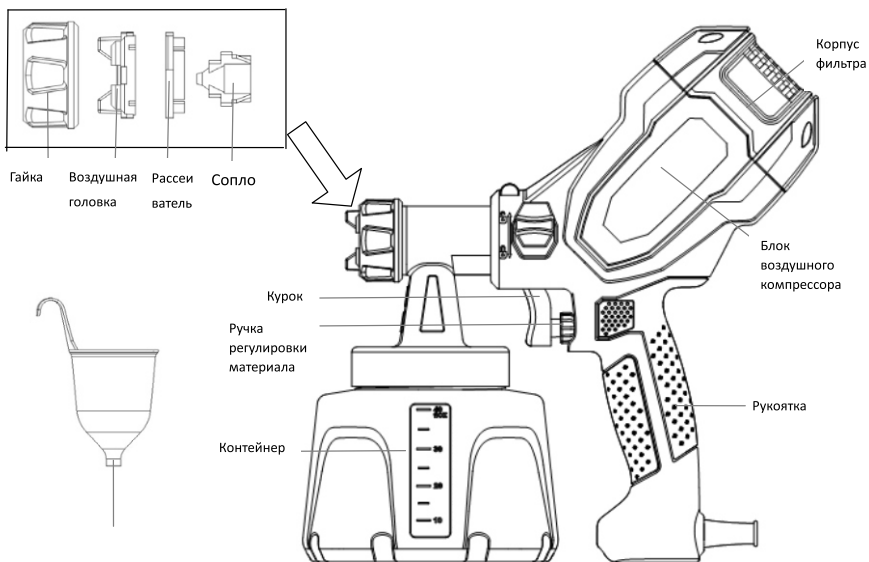
Водоземulsionная краска, краска на основе растворителя, эмульсионная краска, лак, грунтовка, двухкомпонентная краска
 Прозрачные покрытия, автомобильные покрытия, герметизирующие покрасочные материалы и антисептические грунтовки для дерева.

Непригодные к использованию материалы покрытия

Материалы, содержащие абразивные вещества, фасадная краска, герметизирующие материалы, щелочные растворы и кислотные покрытия.

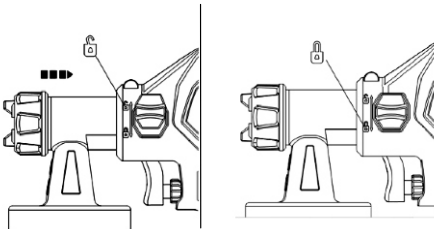
Материалы покрытия с температурой воспламенения ниже 21°C.

Комплект поставки



Настройка

1. Поверните два фиксатора по обеим сторонам блока воздушного компрессора в положение разблокировки и установите пистолет-распылитель в блок воздушного компрессора.
2. Поверните два фиксатора по обеим сторонам блока воздушного компрессора в положение блокировки, чтобы зафиксировать две части устройства.

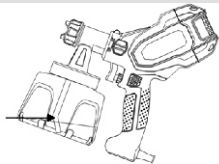


Установка всасывающей трубки

Если вы собираетесь распылять по направлению вниз, загнутый конец всасывающей трубки должен быть направлен к передней части пистолета.



Если вы собираетесь распылять по направлению вверх, загнутый конец всасывающей трубки должен быть направлен к задней части пистолета.



Правильное расположение всасывающей трубки позволяет заполнять контейнер реже.

Подготовка материала

Перед распылением используемый материал может потребоваться разбавить при помощи соответствующего растворителя в соответствии с указаниями изготовителя материала. Никогда не превышайте рекомендаций изготовителя по разбавлению материала покрытия.

Не используйте материалы с температурой воспламенения ниже 21°C. Следуйте нижеприведенным инструкциям.

1. Перед измерением вязкости тщательно перемешайте распыляемый материал.
2. Полностью погрузите вискозиметр в распыляемый материал.



3. Удерживая вискозиметр, измерьте время в секундах до полного вытекания жидкости. Далее это время будет указываться как время вытекания.

Таблица разбавления

Материал	Время вытекания
1) Масляная эмаль:	25-40
2) Грунтовка на масляной основе:	30-45
3) Масляная протрава:	не требует разбавления
4) Чистый герметик:	не требует разбавления
5) Полиуретан:	не требует разбавления
6) Лак:	20-50

Распыляемый материал всегда необходимо процеживать, чтобы удалить любые примеси из краски, которые могут попасть в систему и засорить ее. Наличие примесей в краске ухудшает производительность устройства и приводит к плохим результатам работы.



ТЕМПЕРАТУРА ВОСПЛАМЕНЕНИЯ МАТЕРИАЛА ДОЛЖНА БЫТЬ

НЕ МЕНЕЕ 21°C.

Заполнение контейнера

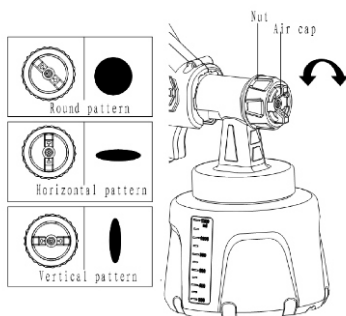
1. Открутите контейнер с пистолета-распылителя.
2. После правильного разбавления и процеживания материала заполните контейнер до верха горлышка.



3. Аккуратно прикрутите контейнер обратно к пистолету-распылителю.

Распыление

Режим распыления регулируется установкой выступов воздушной головки в вертикальное, горизонтальное или диагональное положение. Положения воздушной головки и соответствующие режимы распыления проиллюстрированы ниже. Протестируйте каждый режим и выберите подходящий для выполняемой работы.

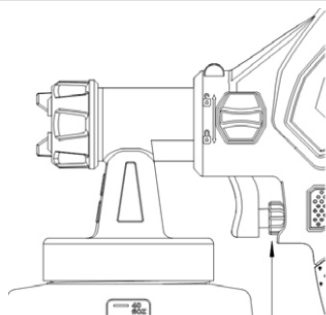


Round pattern	Режим кругового распыления
Horizontal pattern	Режим горизонтального распыления
Vertical pattern	Режим вертикального распыления
Nut	Гайка
Air cap	Воздушная головка

⚠ НИКОГДА не нажимайте на курок во время регулировки положения воздушной головки. НИКОГДА не направляйте пистолет-распылитель на какие-либо части тела.

Регулировка расхода материала

Настройте расход материала при помощи вращения регулятора, расположенного за курком пистолета-распылителя.



Правильная техника распыления

Если вы никогда не работали с системами распыления низкого давления с высоким потреблением сжатого воздуха, перед работой с предполагаемой заготовкой рекомендуется потренироваться на кусочке дерева или картона.

Подготовка поверхности

Перед распылением материала тщательно очищайте обрабатываемые объекты. При необходимости накройте или отгородите те части обрабатываемой поверхности, на которые материал не должен распыляться.

Подготовка рабочего места — использовать только вне помещений

Рабочий участок должен быть хорошо очищен, чтобы избежать попадания пыли на свежеработанную поверхность.

Порядок распыления

- Удерживайте распылитель перпендикулярно обрабатываемой поверхности на расстоянии не менее 1 (одного) дюйма от нее в зависимости от размера области распыления в используемом режиме.
- Равномерно распыляйте материал параллельно поверхности плавными движениями с постоянной скоростью, как показано ниже. Это позволит избежать появления неровностей покрытия (подтеков, изгибов и т.д.).
- При первом проходе всегда наносите тонкий слой материала и дайте ему высохнуть перед нанесением второго более толстого слоя.
- Чем ближе распылитель к обрабатываемой поверхности, тем меньше брызг.

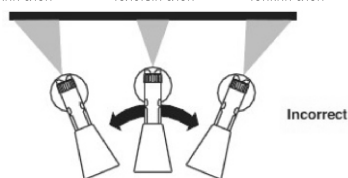


1 to 12 inches	1-12 дюймов
Correct	Правильно

Двигайтесь плавно с постоянной скоростью

- При распылении всегда нажимайте на курок после начала области нанесения и отпускайте курок перед окончанием области нанесения. Всегда удерживайте распылитель таким образом, чтобы он был направлен прямо на обрабатываемую поверхность и всегда слегка перекрывайте области нанесения, чтобы добиться наиболее равномерного и профессионального результата.

Тонкий слой Толстый слой Тонкий слой



Incorrect	Неправильно
-----------	-------------

Очистка

Очистка пистолета-распылителя

- Всегда промывайте пистолет-распылитель снаружи.
- Зона очистки должна быть свободна от воспламеняющихся паров.
- Зона очистки должна хорошо проветриваться.
- **НЕ ПОГРУЖАЙТЕ** воздушный компрессор в какие-либо жидкости!

1. Отсоедините устройство от электросети и нажмите на курок, чтобы спустить материал из пистолета-распылителя обратно в контейнер.



2. Откройте контейнер. Слейте оставшийся материал в его оригинальную емкость.

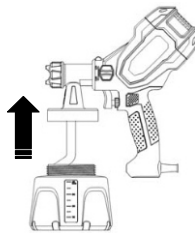


3. Налейте небольшое количество подходящего моющего раствора в контейнер (теплая мыльная вода для латексных материалов и уайт-спирит для масляных материалов). **Очистите контейнер и утилизируйте моющий раствор надлежащим образом.**

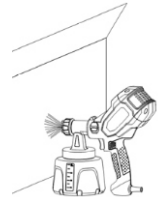


4. Залейте в контейнер **НОВЫЙ** моющий раствор.

5. Прикрепите контейнер к пистолету-распылителю и подключите



6. Распылите раствор через пистолет в течение двух секунд в безопасном месте. Распылите еще раз в течение двух секунд. Отсоедините устройство от электросети и нажмите на курок, чтобы спустить материал из пистолета-распылителя обратно в контейнер.



7. Протрите внутреннюю часть контейнера и пистолет начисто.



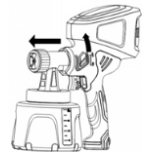
8. Откройте гайку и снимите воздушную головку и сопло.

9. Очистите контейнер, всасывающую трубку, воздушную головку и сопло при помощи чистящей щетки и подходящего моющего раствора.

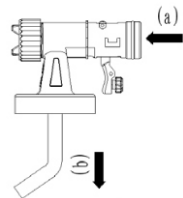


Никогда не очищайте сопло или воздушные отверстия пистолета-распылителя при помощи острых металлических предметов. Не используйте растворители или смазочные материалы, содержащие силикон.

10. Поверните два фиксатора по обеим сторонам блока воздушного компрессора в положение разблокировки и отсоедините пистолет-распылитель от блока воздушного компрессора.



11. (a) Очистите заднюю часть пистолета-распылителя при помощи подходящего моющего раствора. (b) Поверните всасывающую трубку против часовой стрелки и потяните ее вниз, чтобы отсоединить ее от пистолета-распылителя. Затем очистите всасывающую трубку при помощи подходящего моющего раствора.



Внимание! Уплотнительное кольцо (4) между всасывающей трубкой 1 (3) и всасывающей трубкой 2 (5) необходимо установить на место после очистки. В противном случае некоторое количество краски может попасть из контейнера в воздуховод и повлиять на работу устройства.

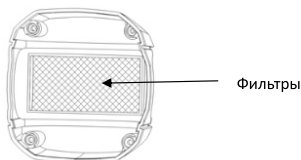
Обслуживание

Проверяйте воздушный фильтр и блок воздушного компрессора на наличие чрезмерных загрязнений. При обнаружении загрязнений следуйте инструкциям ниже.

1. Отсоедините пистолет-распылитель от электросети. Снимите крышку фильтра при помощи подходящего инструмента (например, плоской отвертки).



2. Извлеките грязные фильтры и замените их новыми.

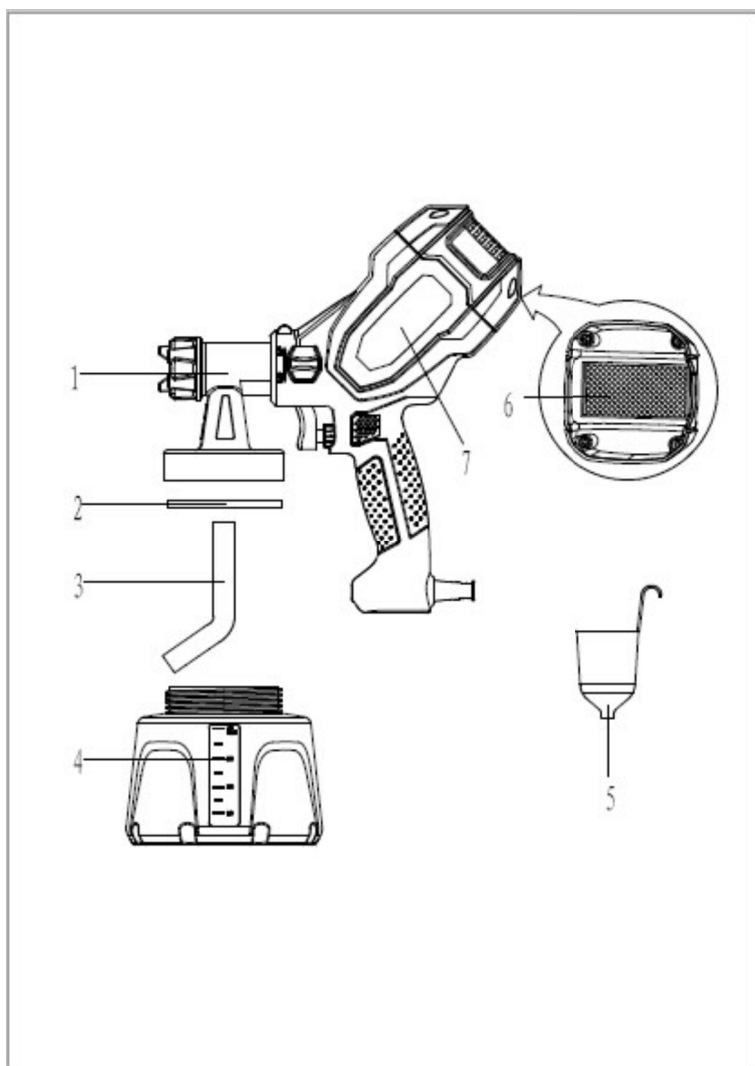


3. Установите крышку обратно на турбину.

Никогда не используйте устройство без воздушных фильтров. Грязь может попасть внутрь устройства и повлиять на его работу.

Устранение неисправностей

Проблема	Причина	Решение
A. Слабый поток материала или его отсутствие.	<ol style="list-style-type: none"> 1. Сопло засорено. 2. Вдвигательная трубка засорена. 3. Слишком низкий расход материала (-). 4. Вдвигательная трубка плохо закреплена. 5. В контейнере не образуется давление. 6. Воздушный фильтр засорен. 	<ol style="list-style-type: none"> 1. Очистите. 2. Очистите. 3. Увеличьте расход (+). 4. Установите. 5. Закрепите контейнер. 6. Замените.
B. Материал протекает.	<ol style="list-style-type: none"> 1. Сопло плохо закреплено. 2. Сопло изношено. 3. Уплотнитель сопла изношен. 4. Материал скопился на воздушной головке и сопле. 	<ol style="list-style-type: none"> 1. Затяните. 2. Замените. 3. Замените. 4. Очистите.
C. Шероховатый результат распыления.	<ol style="list-style-type: none"> 1. Материал слишком вязкий. 2. Слишком большой объем материала. 3. Слишком высокий расход материала (+). 4. Сопло засорено. 5. Воздушный фильтр засорен. 6. Слишком слабое давление в контейнере. 	<ol style="list-style-type: none"> 1. Разбавьте. 2. Уменьшите расход (-). 3. Уменьшите расход (-). 4. Очистите. 5. Замените. 6. Закрепите контейнер.
D. Распылительная струя пульсирует.	<ol style="list-style-type: none"> 1. Материал в контейнере на исходе. 2. Воздушный фильтр засорен. 	<ol style="list-style-type: none"> 1. Долейте. 2. Замените.
E. Образуются подтеки или неровности.	<ol style="list-style-type: none"> 1. Наносится слишком много материала. 	<ol style="list-style-type: none"> 1. Отрегулируйте расход материала или перемещайте пистолет быстрее.
F. Слишком много брызг.	<ol style="list-style-type: none"> 1. Пистолет слишком далеко от обрабатываемой поверхности. 2. Наносится слишком много материала. 	<ol style="list-style-type: none"> 1. Сократите расстояние. 2. Уменьшите расход (-).
G. Слишком тонкий слой с пятнами	<ol style="list-style-type: none"> 1. Пистолет перемещается слишком быстро. 	<ol style="list-style-type: none"> 1. Отрегулируйте расход материала или перемещайте пистолет медленнее.

Список деталей

Список деталей

Номер	Описание детали	Количество
1	Блок распылителя	1
2	Уплотнитель контейнера	1
3	Всасывающая трубка	1
4	Контейнер	1
5	Вискозиметр	1
6	Воздушный фильтр	1
7	Блок воздушного компрессора	1

Окружающая среда



Запрещается выбрасывать электротехнические изделия вместе с бытовыми отходами. Их необходимо сдавать на переработку в специальные центры утилизации. Для получения рекомендаций по утилизации свяжитесь с местными органами власти или продавцом.

Опасные вещества, содержащиеся в электрическом и электронном оборудовании, могут негативно влиять на окружающую среду и здоровье людей.

С целью утилизации это устройство можно также вернуть в магазин, где его приобрели, или продавцу (или дилеру Dexter).

Сертификат соответствия № TC RU-CN.МБ34.А.00422

**ДЕКЛАРАЦИЯ ЕС О СООТВЕТСТВИИ
(ВЕЛИКОБРИТАНИЯ)**

Мы со всей ответственностью заявляем, PLD3120 что краскопульт электрический мод.17312377 соответствует следующим стандартам и документам.

Номер партии: **208994070420**

Директивы ЕС 2006/42/ЕС

Директива по электромагнитной совместимости 2014/30/EU

Директива ЕС об ограничении использования некоторых вредных

Директива ЕС об ограничении использования некоторых вредных веществ в электрическом и электронном оборудовании 2015/863, дополнение к Директиве 2011/65/EU

А также следующим нормам:

EN 60745-1:2009+A11:2010

EN 50580:2012+A1:2013

EN 55014-1:2017

EN55014-2:2015

EN IEC 61000-3-2:2019

EN61000-3-3:2013

IEC 62321-3-1:2013

IEC 62321-4:2013

IEC 62321-5:2013

IEC 62321-6:2015

IEC 62321-7-1:2015

IEC 62321-7-2:2017

IEC 62321-8:2017

Последние две цифры года, в котором был получен знак ЕС: **20**

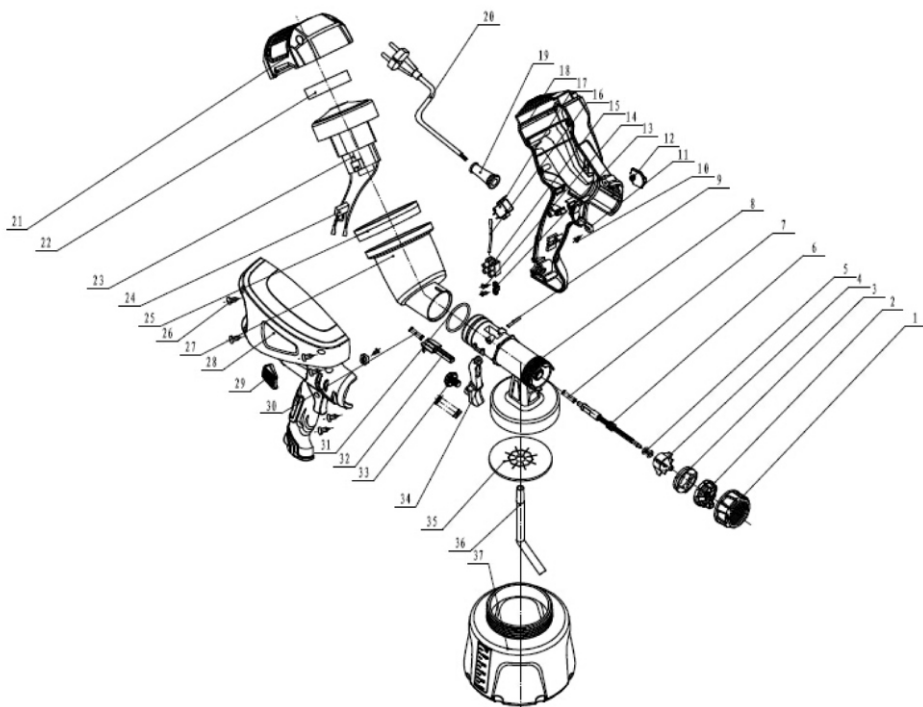
Подписано в Шанхае 10/01/2020



Ричи ПЕРМАЛ (Richie PERMAL)

Руководитель отдела контроля качества поставщиков






Официальный представитель Жюльен Ледин (Julien Ledin), руководителя отдела качества ADEO




ГАРАНТИЯ

1. Продукция компании Dexter Power разработана в соответствии с высшими стандартами качества для бытовых инструментов. Компания предоставляет на свои продукты 24-месячную гарантию со дня приобретения. Эта гарантия распространяется на все дефекты материалов и производства, которые могут возникнуть. Никакие другие претензии любого вида, прямые или косвенные, относящиеся к людям или материалам, не могут быть удовлетворены. Продукция Dexter Power не предназначена для профессионального применения.
2. В случае обнаружения неисправности или дефекта прежде всего необходимо обратиться к дилеру Dexter Power. В большинстве случаев именно он сможет решить проблему или устранить дефект.
3. Ремонт или замена узлов не продлевают изначальный срок гарантии.
4. Гарантия не распространяется на дефекты, возникшие вследствие неправильного обращения или износа. Помимо всего прочего, это касается износа выключателей, защитных цепей и двигателей.
5. Претензия в рамках гарантийных обязательств может быть принята только при следующих условиях.
 - . Предоставлено подтверждение покупки в виде чека.
 - . Никакой ремонт не проводился третьими лицами.
 - . Инструмент не подвергался неправильному использованию (перегрузкам или установке несертифицированных насадок).
 - . Отсутствуют повреждения вследствие внешних воздействий, таких как песок или камни.
 - . Отсутствуют повреждения вследствие несоблюдения правил техники безопасности и инструкций по применению.
 - . Отсутствуют форс-мажорные обстоятельства с нашей стороны.
 - . Прилагается описание претензии.
6. Условия гарантийного обслуживания применяются вместе с нашими правилами продажи и поставки.
7. Неисправные инструменты, подлежащие возврату в компанию Dexter Power через дилера Dexter Power, компания Dexter Power принимает при условии должной упаковки изделия. Если возврат неисправного устройства в компанию Dexter Power выполняет непосредственно покупатель, компания сможет выполнить обслуживание таких товаров при условии оплаты покупателем расходов на доставку.
8. Компания Dexter Power не принимает продукцию, не упакованную должным образом.

Пояснення символів

	УВАГА - З метою зменшення ризику отримання травм ознайомтесь з інструкцією користувача.
	Виріб відповідає спеціальним Європейським директивам; проведена нормативна процедура оцінки відповідності.
	Клас безпеки II
	Не викидайте електричне приладдя разом з побутовим сміттям.
	Цей продукт може перероблятися. Якщо воно більше не є придатне для використання, здайте його в утилізаційний центр.

Технічні характеристики	
Макс. в'язкість:	50 DIN-s
Напруга	220-240 В
Потужність	400 Вт
Подвійна ізоляція	
Рівень звукового тиску	84 дБ(A) [K = 3 дБ(A)]
Рівень звукової потужності	95 дБ(A) [K = 3 дБ(A)]
Рівень осциляції	$< 2,5 \text{ м/с}^2$, K = 1,5 м/с^2
Маса	1,40 кг



ПОПЕРЕДЖЕННЯ! Ознайомтеся з усіма інструкціями й попередженнями щодо техніки безпеки використання інструмента. Збережіть ці інструкції.

ЗАГАЛЬНІ ПОПЕРЕДЖЕННЯ З БЕЗПЕКИ В РОБОТІ З ЕЛЕКТРОІНСТРУМЕНТАМИ

ПОПЕРЕДЖЕННЯ Прочитайте всі вказівки щодо безпеки та інструкції. Недотримання вказівок та правил може спричинити ураження електричним струмом, пожежу та/або серйозні травми.

Зберігайте всі застереження та інструкції для подальшого використання.

Термін "електроінструмент" у попередженнях стосується електричного інструмента, що працює від електромережі (через шнур) або від акумулятора (без шнура).

1) Безпека робочої зони

- a) Тримайте робочу зону чистою та добре освітленою. Неприбрана або погано освітлена поверхня може стати причиною нещасного випадку.
- b) Не працюйте з електроінструментами у вибухонебезпечному середовищі, наприклад за наявності легкозаймистих рідин, газів або пилу. Під час роботи електроінструмента утворюються іскри, від яких можуть зайнятися пил або випари.
- c) Дітям і спостерігачам заборонено перебувати поруч з електроінструментом, що працює. Це може відволікати вас і призвести до втрати контролю.

2) Електробезпека

- a) Штепсельні вилки електроінструмента повинні підходити до розеток. Заборонено модифікувати вилку будь-яким чином. Не використовуйте жодні перехідники для роботи із заземленими електроінструментами. Використання штепселя і розеток, у які не вносилися зміни, зменшує ризик ураження електричним струмом.
- b) Уникайте контакту частин тіла із заземленими поверхнями, такими як труби, батареї, плити й холодильники. У разі заземлення тіла збільшується ризик ураження електричним струмом.
- c) Бережіть електроінструмент від дощу та вологи. Вода, що потрапила в електроінструмент, підвищує ризик ураження електричним струмом.
- d) Не використовуйте шнур живлення з порушенням норм експлуатації. Не використовуйте його для перенесення чи перетягування інструмента та виймання штепселя з розетки. Шнур потрібно оберігати від дії тепла, від гострих кутів та рухомих частин. Пошкоджені або заплутані шнури живлення підвищують ризик ураження електричним струмом.
- e) Під час роботи з електроінструментом надворі використовуйте подовжувач, призначений для зовнішніх робіт. Використання шнура, призначеного для зовнішніх робіт, зменшує ризик ураження електричним струмом.
- f) Якщо роботи з електроінструментом у вологому середовищі не уникнути, скористайтеся пристроєм захисного вимкнення (ПЗВ). Використання такого пристрою зменшує ризик ураження електричним струмом.

3) Індивідуальна техніка безпеки

- a) Під час роботи з електроінструментом будьте уважними, слідкуйте за своїми діями та мисліть розсудливо. Не працюйте з електроінструментом, якщо ви втомлені або перебуваєте під дією наркотичних речовин, алкоголю або ліків. Навіть миттєва неуважність під час роботи з електроінструментом може призвести до важкої травми.
- b) Використовуйте засоби особистого захисту. Завжди надягайте захисні окуляри. Використання у відповідних умовах таких захисних засобів як протипиловий респіратор, нековзне захисне взуття, шолом-каска і навушники допоможе зменшити ризик травмування.
- c) Уникайте випадкового запуску. Переконайтесь, що перемикач знаходиться у положенні «вимк.» перед підключенням до джерела живлення та/або акумулятора, підняттям та перенесенням інструменту. Якщо переносити електроінструмент, тримаючи палець на перемикачі живлення, або підключати його до джерела живлення, коли перемикач живлення перебуває в положенні "увімкнено", це може призвести до травмування.
- d) Перш ніж вмикати електроінструмент, слід зняти всі регульовальні клини або гайкові ключі. Якщо залишити такий ключ на рухомій частині електроінструмента, це може призвести до травмування.
- e) Не дотягуйтеся. Завжди міцно стійте на ногах і втримуйте рівновагу. Це дозволяє краще керувати електроінструментом у разі виникнення непередбачуваних ситуацій.
- f) Одягайтеся належним чином. Не носіть вільного одягу та біжутерії. Стежте за тим, щоб волосся, одяг та рукавиці не потрапили на рухомі частини. Вільний одяг, біжутерія чи довге волосся можуть потрапити в

рухомі частини.

- g) Якщо пристрої обладнано системою видалення пилу, перевірте, чи правильно її підключено, і чи ви використовуєте її належним чином. Використання пристрою для збирання пилу може зменшити безпеку, пов'язану з пилом.
- 4) **Користування та догляд за електроінструментом**
- a) Не застосовуйте силу до електроінструмента. Використовуйте належний електроінструмент відповідно до потреби. Правильно підібраний електроінструмент допоможе краще і безпечніше зробити роботу із швидкістю, яка для нього передбачена.
- b) Не використовуйте електроінструмент, якщо перемикач не вмикає або не вимикає його. Усі електроінструменти, якими неможливо керувати за допомогою перемикача, становлять небезпеку й підлягають ремонту.
- c) Перш ніж проводити будь-які налаштування, замінювати приладдя, а також перед зберіганням вийміть штепсель із джерела живлення або акумулятор з інструмента. Такі запобіжні заходи техніки безпеки зменшують ризик випадкового запуску електроінструмента.
- d) Тримайте інструменти, що не використовуються, подалі від дітей і не дозволяйте особам, які не мають досвіду роботи з такими інструментами або не знайомі з цими інструкціями, користуватись електроінструментом. Електроприлади становлять небезпеку в руках ненавчених користувачів.
- e) Виконуйте належне технічне обслуговування електроінструментів. Перевіряйте їх на предмет розладнання чи блокування рухомих частин, а також будь-яких обставин, які можуть вплинути на роботу інструмента. У разі пошкодження електроінструмент слід здати в ремонт, перш ніж користуватися ним. Часто нещасні випадки трапляються внаслідок неналежного технічного обслуговування електроінструментів.
- f) Тримайте ріжучі інструменти гострими й чистими. Належним чином доглянуті ріжучі інструменти з гострими краями рідше блокуються, їх легше контролювати.
- g) Користуйтеся електроінструментом, аксесуарами та насадками для інструмента згідно з цією інструкцією, зважаючи на робочі умови та роботу, яку слід виконати. Використання електроінструмента всупереч призначенню може стати причиною виникнення небезпечних ситуацій.
- 5) **Обслуговування**
- a) Обслуговування електроінструмента повинен виконувати кваліфікований ремонтник з використанням лише ідентичних запасних частин. Це забезпечить нормальну роботу інструмента.
- б) Додаткові правила техніки безпеки щодо пістолета-розпилювача
- a) Не використовуйте пістолет для розпилення горючих матеріалів.
- б) Остерігайтесь будь-якої небезпеки, що може становити рідина для розпилення, і звертайте увагу на маркування на контейнері або на інформацію від виробника.
- в) Не розпилюйте будь-яку рідину, якщо вам невідома потенційна небезпека.
- г) Під час розпилення завжди надягайте респіратор.
- д) Під час роботи рекомендується надягати засоби захисту органів слуху.
- е) Не чистіть пістолет горючими розчинниками.
- е) Попередження! Перед проведенням будь-яких операцій з обслуговування, регулювання чи догляду витягайте вилку з розетки.
- ж) Якщо шнур живлення цього інструмента пошкоджений, він має бути замінений на спеціально підготовлений шнур, який можна придбати через сервісний центр.
- з) Якщо вугільні щітки необхідно замінити, це має робити кваліфікований фахівець з ремонту (завжди замінюйте одночасно обидві щітки).

Лакофарбові матеріали, які підходять для використання

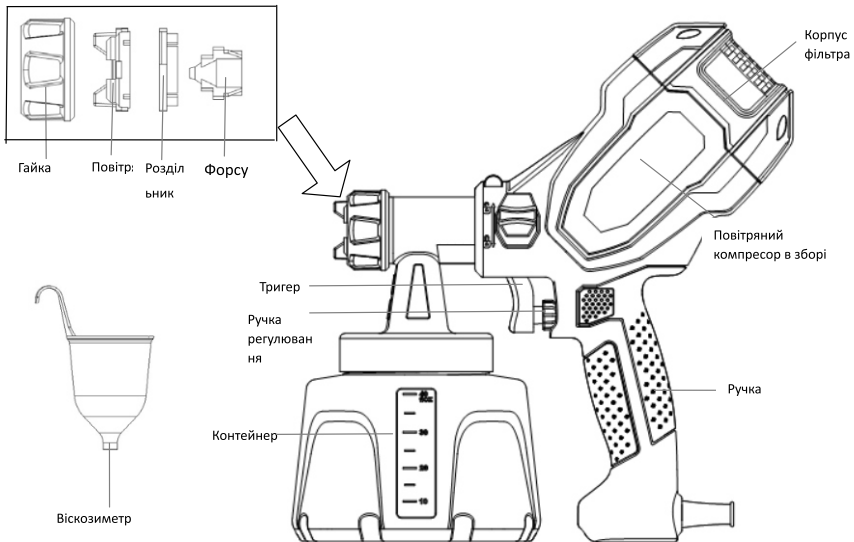
Фарби на основі води та розчинника, емульсійні фарби, лаки, ґрунтовки, двокомпонентні фарби, прозорі обробні матеріали, автомобільні обробні матеріали, морилки і ґрунтовки для деревини.

Лакофарбові матеріали, які не підходять для використання

Матеріали, що містять сильні абразивні компоненти, фасадні фарби, герметики, лужні розчини і кислотні сорбенти.

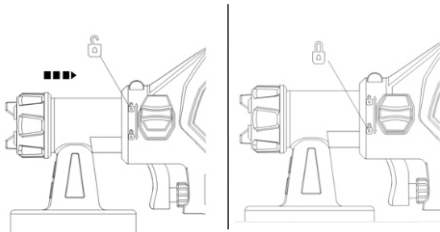
Лакофарбові матеріали з температурою займання нижче 21 °С.

КОМПЛЕКТУЮЧІ ДЕТАЛІ



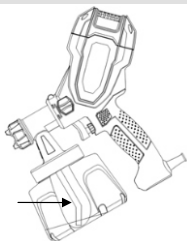
Настройка

1. Поверніть обидві ручки з обох сторін повітряного компресора в зборі у положення "Unlock" (розблокування) і вставте на місце в повітряний компресор пістолет-розпилювач.
2. Поверніть обидві ручки з обох сторін повітряного компресора в зборі у положення "Lock" (блокування), щоб заблокувати дві частини на місці.

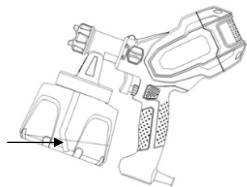


Регулювання всмоктувальної трубки

Якщо ви збираєтесь розпилювати у напрямку вниз, зігнутий кінець всмоктувальної трубки має бути спрямований в бік передньої частини пістолета.



Якщо ви збираєтесь розпилювати у напрямку вгору, зігнутий кінець всмоктувальної трубки має бути спрямований в бік задньої частини пістолета.



Коли ви встановлюєте всмоктувальну трубку в потрібному напрямку, вам не доведеться заповнювати контейнер дуже часто.

Підготовка рідини

Перед розпиленням рідину, яка буде використовуватись, треба розвести відповідним розчинником, як вказано виробником лакофарбового матеріалу. Завжди дотримуйтесь порад виробника щодо розведення лакофарбового матеріалу. Не використовуйте матеріали з температурою займання нижче 21°C (70°F). Дотримуйтесь нижче вказаних інструкцій.

1. Перед тим, як визначити в'язкість, ретельно перемішайте лакофарбовий матеріал.
2. Занурити віскозиметр повністю у рідину.



3. Підніміть віскозиметр і рахуйте час в секундах, поки рідина не вилється. Цей час називається в подальшому як час витікання.

Таблиця в'язкості

Час витікання матеріалу	
1) Олійна емаль	25-40
2) Ґрунтовка на основі олії	30-45
3) Олійна морилка	Не розводиться
4) Чиста ґрунтовка	Не розводиться
5) Поліуретан	Не розводиться
6) Лак	20-50

Лакофарбовий матеріал завжди повинен бути відфільтрований, щоб були видалені будь-які домішки в фарбі, які можуть потрапити і забруднити систему. Домішки в фарбі дають низьку продуктивність і поганий результат.



ТЕМПЕРАТУРА ЗАЙМАННЯ МАТЕРІАЛУ МАЄ СТАНОВИТИ 21°C (70°F) АБО ВИЩЕ

Наповнення контейнера

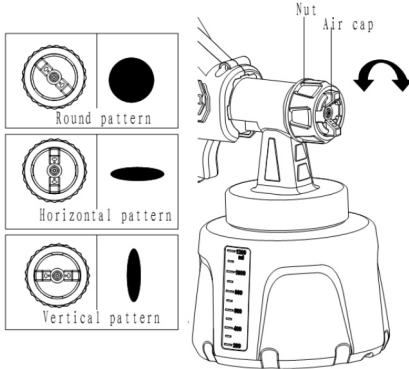
1. Відкрити кришку з пістолета-розпилювача.
2. Після того, як матеріал був правильно розведений та відфільтрований, налейте його у контейнер до верхньої частини горловини.



3. Обережно закрутіть кришку назад на пістолет-розпилювач.

Розпилення

Струмінь розпилення регулюється поворотом вух повітряної головки у вертикальне, горизонтальне або діагональне положення. Положення повітряної головки і відповідний струмінь розпилення зображені нижче. Спробуйте кожний струмінь і використовуйте той, який підходить для вашої роботи.



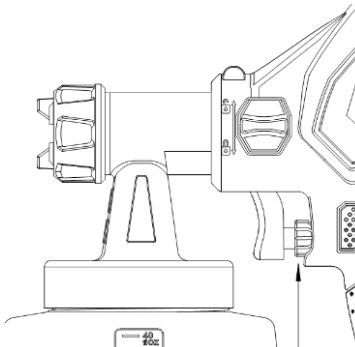
Round pattern	Круглий струмінь
Horizontal pattern	Горизонтальний струмінь
Vertical pattern	Вертикальний струмінь
Nut	Гайка
Air cap	Повітряна головка



НИКОЛИ не натискайте на тригер пістолета під час регулювання повітряної головки. **НИКОЛИ** не направляйте пістолет-розпилювач на будь-яку частину тіла.

Регулювання потоку матеріалу

Відрегулюйте кількість матеріалу поворотом регулятора позаду тригера пістолета-розпилювача.



Правильна техніка розпилення

Якщо розпилення за допомогою системи низького тиску нова або незнайома для вас, бажано попрактикуватися на шматку деревини або картону перед тим, як фарбувати передбачувану заготовку.

Підготовка поверхні

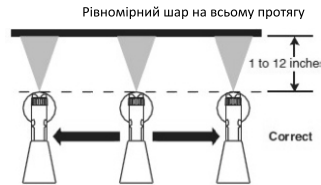
Перед розпиленням слід ретельно очистити всі об'єкти, щоб будуть оброблюватись. Зони, які не будуть оброблюватись, треба прикрити.

Підготовка зони для розпилення - тільки для зовнішнього використання

Зона для розпилення має бути чистою та вільною від пилу, щоб уникнути осідання пилу на свіжій пофарбованій поверхні.

Як правильно розпилювати:

- Утримуйте пістолет перпендикулярно до поверхні на відстані від одного 1 до декількох дюймів в залежності від розміру необхідного розпилення.
- Розпилюйте паралельно поверхні плавними рухами з однаковою швидкістю, як зображено нижче. Такий спосіб допоможе уникнути нерівномірності фінішного шару (напр., паточки і напливи).
- Завжди під час першого проходу нанесіть тонкий шар матеріалу, дайте йому висохнути, а потім нанесіть другий шар, трохи товщий.
- Чим ближче ваш пістолет-розпилювач до об'єкта, що оброблюється, тим нижче буде перевитрата.

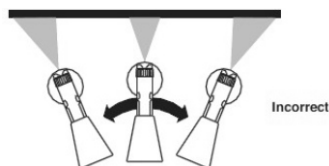


1 to 12 inches	від 1 до 12 дюймів
Correct	Правильно

Підтримуйте плавний хід і однакову швидкість

- При розпиленні завжди натискайте тригер пістолета після початку руху і відпускайте тригер перед тим, як закінчити рух. Завжди тримайте пістолет під прямим кутом до поверхні та трохи перекривайте проходи, щоб отримати найбільш послідовний і професійний результат.

Тонкий шар Товстий шар Тонкий шар



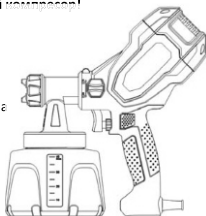
Incorrect	Неправильно
-----------	-------------

Чищення

Чищення пістолета-розпилювача

- Завжди промивайте пістолет поза приміщенням.
- Місце чищення має бути вільним від займих пар.
- Місце чищення має бути добре провітрюваним.
- **НЕ ЗАНУРЮЙТЕ У ВОДУ повітряний компресор!**

1. Відключіть пістолет-розпилювач від мережі живлення та натисайте на тригер пістолета, щоб матеріал всередині пістолета витік назад в контейнер.



2. Відкрутіть контейнер. Вилийте матеріал, що залишився, в банку для матеріалу.

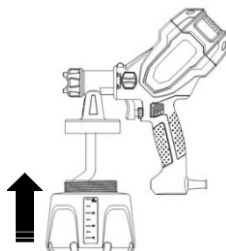


3. Налийте невелику кількість відповідного чистильного розчину в чашу (тепла, мильна вода для латексних матеріалів; уайт-спірит для матеріалів на основі олії). **Почистіть чашу і належним чином утилізуйте чистильний розчин.**



4. Налийте в чашу **НОВИЙ** чистильний розчин.

5. Прикрутіть чашу до пістолета і увімкніть розпилювач.



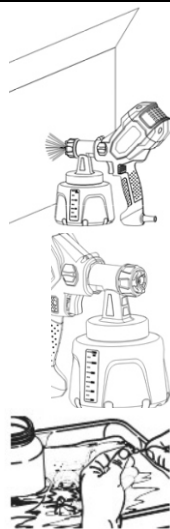
6. Розпилюйте розчин протягом двох секунд у безпечному напрямку.

Повторіть процес знову. Від'єднайте пістолет-розпилювач від мережі живлення, натисайте на тригер пістолета, щоб матеріал всередині пістолета витік назад в контейнер.

7. Протріть чашу і пістолет зовні до повного очищення.

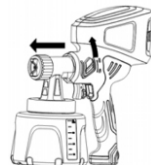
8. Відкрутіть гайку і зніміть повітряну головку і форсунку.

9. Почистіть контейнер, всмоктувальну трубку, повітряну головку і форсунку щіткою для чищення і відповідним чистильним розчином.



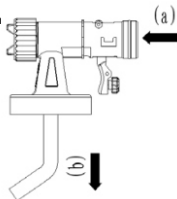
Ніколи не чистіть форсунку або повітряний шланг пістолета-розпилювача гострими металевими предметами. Не використовуйте розчинники або мастильні матеріали, що містять силікон.

10. Поверніть обидві ручки з обох сторін повітряного компресора в зборі у положення "Unlock" (розблокування), потягніть і вийміть пістолет-розпилювач з повітряного компресора.



11. (а) Почистіть задню частину пістолета відповідним чистильним розчином.

(б) Поверніть всмоктувальну трубку проти годинникової стрілки і потягніть її вниз, щоб від'єднати від пістолета-розпилювача. Потім почистіть всмоктувальну трубку відповідним чистильним розчином.



Увага! Ущільнювальне кільце (4) між всмоктувальною трубкою 1(3) та всмоктувальною трубкою 2(5) слід встановити назад на місце після чищення. В іншому випадку, фарба в контейнері буде всмоктуватися в повітропровід і призведе до порушення функції пристрою.

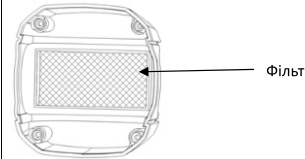
Технічне обслуговування

Ви повинні перевірити повітряний фільтр в повітряному компресорі на предмет його забруднення. Якщо він забруднений, дотримуйтесь дій нижче для його заміни.

1. Від'єднайте пістолет-розпилювач від мережі живлення. Зніміть кришку фільтра за допомогою інструмента (наприклад, плоска викрутка).



2. Вийміть брудний фільтр і вставте новий.



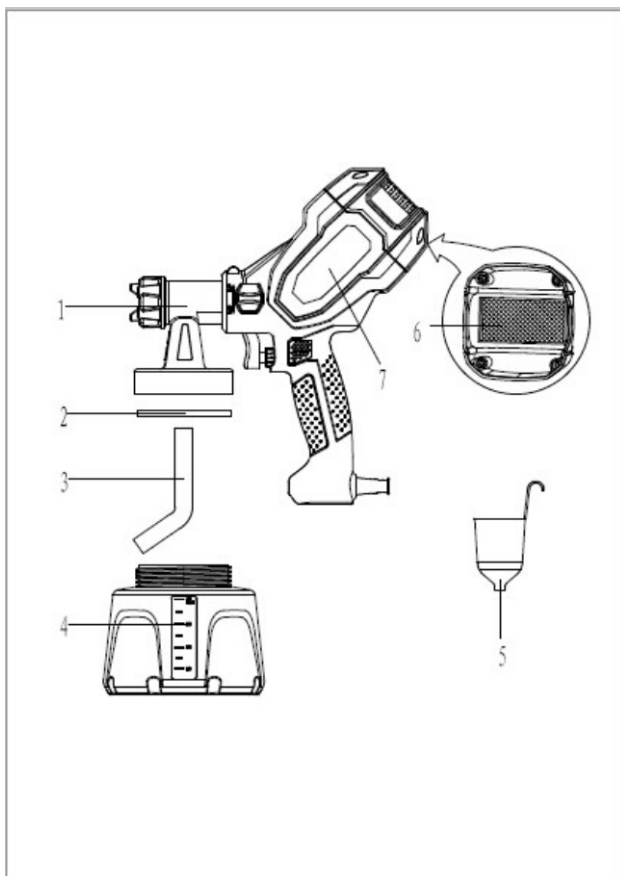
3. Поставте кришку назад на місце.

Ніколи не використовуйте пістолет без повітряного фільтра. Бруд може всмоктуватись всередину і вплинути на функціональність пристрою.

Усунення несправностей

Проблема	Причина	Рішення
A. Невеликий потік або немає потоку	<ol style="list-style-type: none"> 1. Форсунка заблокована. 2. Всмоктувальна трубка заблокована. 3. Регулятор подачі матеріалу встановлений на низький рівень (-). 4. Всмоктувальна трубка ослаблена. 5. В контейнері не утворюється тиск. 6. Повітряний фільтр заблокований. 	<ol style="list-style-type: none"> 1. Очистити. 2. Очистити. 3. Збільшити рівень кількості (+).
B. Витік матеріалу	<ol style="list-style-type: none"> 1. Форсунка ослаблена. 2. Форсунка зношена. 3. Ущільнювач форсунки зношений. 4. Накопичення матеріалу в повітряній головці та форсунці. 	<ol style="list-style-type: none"> 1. Затягнути. 2. Замінити. 3. Замінити. 4. Очистити.
C. Занадто товстий струмінь	<ol style="list-style-type: none"> 1. Занадто висока в'язкість матеріалу. 2. Занадто мала кількість матеріалу. 3. Регулятор подачі матеріалу встановлений на високий рівень (+). 4. Форсунка заблокована. 5. Повітряний фільтр заблокований. 6. В контейнері утворюється занадто малий тиск. 	<ol style="list-style-type: none"> 1. Розвести. 2. Зменшити рівень кількості (-). 3. Зменшити рівень кількості (-).
D. Імпульсний струмінь	<ol style="list-style-type: none"> 1. Матеріал в контейнері майже закінчився. 2. Повітряний фільтр заблокований. 	<ol style="list-style-type: none"> 1. Долити. 2. Замінити.
E. Утворюються патьоки або напливи	<ol style="list-style-type: none"> 1. Занадто багато матеріалу. 	<ol style="list-style-type: none"> 1. Відрегулювати потік матеріалу або збільшити рух пістолета-розпилювача.
F. Занадто велика перевитрата	<ol style="list-style-type: none"> 1. Пістолет на дуже великій відстані від об'єкта. 2. Використовується занадто багато матеріалу. 	<ol style="list-style-type: none"> 1. Скоротити дистанцію. 2. Зменшити рівень кількості (-).
G. Шар дуже тонкий та плямистий	<ol style="list-style-type: none"> 1. Надто швидкий рух пістолета-розпилювача. 	<ol style="list-style-type: none"> 1. Відрегулювати потік матеріалу або зменшити рух пістолета-розпилювача.

Список частин



Список деталей

Номер	Опис частин	Кількість
1	Розпилювач в зборі	1
2	Ущільнювач контейнера	1
3	Всмоктувальна трубка	1
4	Контейнер	1
5	Віскозиметр	1
6	Повітряний фільтр	1
7	Повітряний компресор в зборі	1

Охорона довкілля



Не утилізуйте електричні вироби разом з побутовим сміттям. Здавайте їх до спеціально призначених для цього пунктів утилізації. За додатковою інформацією щодо утилізації зверніться до місцевих органів влади або в магазин

Можливі негативні наслідки для довкілля та здоров'я людини від небезпечних речовин в електричному та електронному обладнанні.

Цей інструмент з метою утилізації також можна повернути до магазину, де його було придбано, або продавцеві чи дилеру Dexter.

ДЕКЛАРАЦІЯ ЄС ПРО ВІДПОВІДНІСТЬ

Ми з усією відповідальністю заявляємо, що цей електричний пістолет-розпилювач PLD3120 400W задовольняє вказані нижче стандарти та нормативні документи.

Партія №: **208994070420**

Директива ЄС про механічне обладнання: 2006/42/EC
Директива про електромагнітну сумісність 2014/30/EU
Директива ROHS (ЄС) 2015/863, яка змінює до Директиви 2011/65/EU

і відповідає таким нормам:

EN 60745-1:2009+A11:2010

EN 50580:2012+A1:2013

EN 55014-1:2017

EN55014-2:2015

EN IEC 61000-3-2:2019

EN61000-3-3:2013

IEC 62321-3-1:2013

IEC 62321-4:2013

IEC 62321-5:2013

IEC 62321-6:2015

IEC 62321-7-1:2015

IEC 62321-7-2:2017

IEC 62321-8:2017

Дві останні цифри року присвоєння маркування CE: **20**

Підписано в Шанхаї 10/01/2020

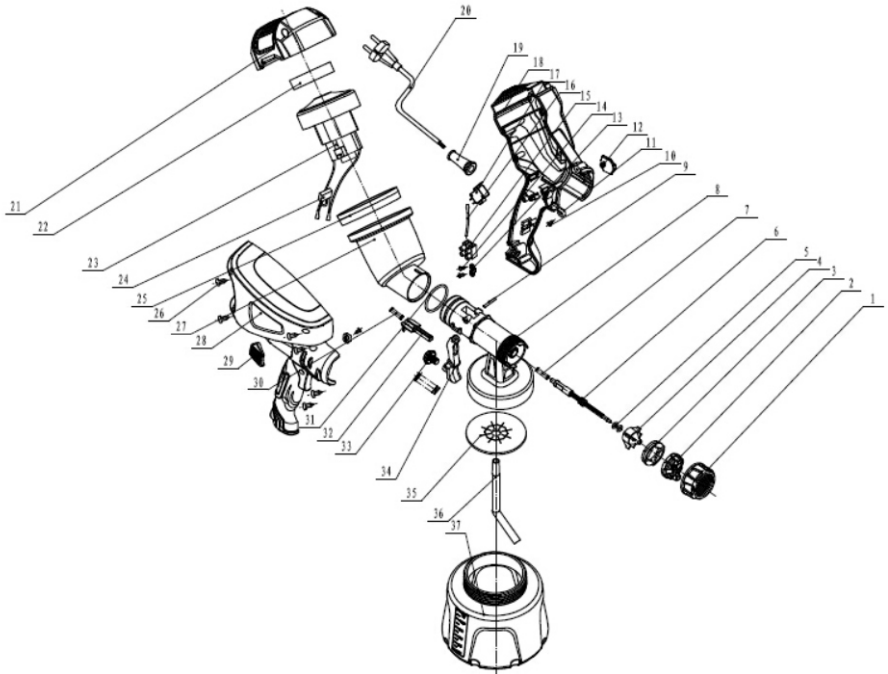


Річі ПЕРМАЛЬ

Керівник із якості постачальників

Уповноважений представник Жюльєна Ледена, керівника з якості ADEO

ADEO Services, 135 Rue Sadi Carnot – CS 00001 59790 RONCHIN – France (Франція)



ГАРАНТІЯ

1. Вироби компанії Dexter Power розроблені за найвищими стандартами якості DIY і компанія надає 24-місячну (від дати придбання) гарантію на свої вироби. Ця гарантія стосується всіх дефектів матеріалу та виробництва, які можуть бути виявлені. Жодні інші претензії будь-якого характеру, як прямі, так і непрямі, які стосуються людей та/або матеріалів, не приймаються. Продукція Dexter Power не призначена для професійного використання.
2. У разі виникнення проблеми або виявлення дефекту необхідно спершу звернутися до дилера Dexter Power. У більшості випадків саме він зможе вирішити проблему чи усунути дефект.
3. Ремонт чи заміна частин не подовжують початкового гарантійного терміну.
4. Гарантія не поширюється на дефекти, які виникли внаслідок неналежного використання чи зносу. Серед іншого це стосується зношення вимикачів, захисних вимикачів і моторів.
5. Вимоги за гарантією розглядаються лише за таких умов:
 - Наявне підтвердження дати придбання у вигляді квитанції.
 - Жодні сторонні особи не проводили ремонту та/або заміни деталей.
 - Інструмент використовувався належним чином (його не було перевантажено і на нього не було встановлено комплектуючих стороннього виробника).
 - Відсутні пошкодження внаслідок дії зовнішніх факторів чи сторонніх предметів, зокрема піску чи каміння.
 - Немає пошкоджень від недотримання правил безпеки та інструкцій щодо використання.
 - Відсутні форс-мажорні обставини з нашого боку.
 - Додається опис претензії.
6. Умови гарантії застосовуються в поєднанні з нашими умовами продажу й доставки.
7. Несправні інструменти, які підлягають поверненню до компанії Dexter Power через дилера Dexter Power, забирає компанія Dexter за умови належного упакування пристрою. Якщо повернення до компанії Dexter Power виконує покупець, компанія зможе виконати обслуговування таких товарів за умови, що покупець оплачує витрати на доставку.
8. Компанія Dexter Power не приймає продукцію, яку не було упаковано належним чином.



Электрлік
Сырлағыш пульт
HVLP 400 Вт
700 мл/мин
PLD3120

КЗ Техникалық қауіпсіздік
және құқықтық нормалар
бойынша нұсқаулық



Атауы: Джеянг ПРУЛД Электрик КО., Лтд.
Мекенжайы: Индастри Дивелопмент Зон оф Сяошунь Таун, 321035, Цзиньхуа Сити, Чжэцзян, Қытай.

Қытайда жасалған: 03/2020

Аталған тауардың сәйкестік сертификатының немесе сәйкестік декларациясының көшірмесін кез-келген Леруа Марлен Восток дүкендерінің анықтамалық үстелшелерінен алуға болады.
Тауар сапасына қатысты шағымдарды қабылдаушы: «Леруа Марлен Восток» ЖШС. -141031, Мәскеу облысы, Мытищи қ., Осташковское д. 1, РФ.

Жарамдылық мерзімі (ж): 5 жыл







Нұсқаулықтың шығу уақыты: 01/2020

Traduction de la version originale du mode d'emploi / Traducción de las Instrucciones originales / Tradução das Instruções Originais / Traduzione delle istruzioni originali / Μετάφραση των πρωτότυπων οδηγιών / tłumaczenie instrukcji oryginalnej / Перевод оригинала инструкции / Переклад оригінальної інструкції / Traducerea instructiunilor originale / Original Instructions


EAC



Таңбалардың мәні

	ЕСКЕРТУ! Жарақат алу қаупін азайту үшін қолдануға арналған нұсқаулықты оқыңыз.
	Өнім қолданыстағы еуропалық директиваларға сәйкес келеді және соларға сай бағаланды.
	Қауіпсіздік класы II
	Электрлік құрылғыларды тұрмыстық қалдықтармен бірге жоймаңыз.
	Кеден одағына мүше-Мемлекеттер нарығындағы айналым белгісі
	Бұл өнім қайта өңдеуге келеді. Оны әрі қолдануға болмайтын жағдайда, оны қайта өңдейтін орталыққа тапсыруыңызды өтінеміз

Техникалық сипаттамалар

Макс. тұтқырлығы	50 DIN-c
Кернеу	220–240 В
Қуаттылығы	400 Вт
Қос оқшаулау	
Дыбыстық қысым деңгейі	84 дБ (А) [К = 3 дБ (А)]
Дыбыстық қуат деңгейі	95 дБ (А) [К = 3 дБ (А)]
Тербеліс деңгейі	$< 2,5 \text{ м/с}^2$, $K = 1,5 \text{ м/с}^2$
Салмағы	1,4 кг



ЕСКЕРТУ. Құрылғымен жұмыс кезіндегі қауіпсіздік ережелері мен нұсқаулықтарының барлығын мұқият оқып шығыңыз.

Аталған нұсқаулықтарды сақтаңыз.

ЭЛЕКТР ҚҰРАЛДАРЫМЕН ЖҰМЫС КЕЗІНДЕГІ ҚАУІПСІЗДІК**БОЙЫНША ЖАЛПЫ ЕСКЕРТУЛЕР**

ЕСКЕРТУ. Техникалық қауіпсіздік бойынша барлық ескертулер мен нұсқаулықтарды оқыңыз. Төменде баяндалған нұсқаулықтар мен ескертулерді орындамау электр тоғынан жарақаттануға, өртке және (немесе) ауыр жарақаттарға соқтыруы мүмкін.

Барлық ескертулер мен нұсқауларды келешекте пайдалану үшін сақтаңыз.

Ескертулердегі «электр құралы» термині желіге қосылған электр құралы (кабель арқылы) немесе аккумуляторға қосылған электр құралы (кабелсіз) дегенді білдіреді.

1) ЖҰМЫС АЙМАҒЫ

- a) Жұмыс орнының таза және жарық болуын қадағалаңыз. Шашылған және әлсіз жарықтандырылған жерлер жазатайым жағдайларға себеп болуы мүмкін.
- b) Электр құралдарын жарылу қаупі бар жерлерде, мәселен жанғыш сұйықтықтар, газдар және шаңдарға жақын жерлерде пайдаланбаңыз. Электр құралы шаң-тозаңды немесе буларды тұтандыратын ұшқындар шығарады.
- c) Балалар мен бөгде адамдардың жұмыс істеп тұрған электр аспабының жанында тұруға жол бермеңіз. Алаңдатушы факторлар бақылауды жоғалтуға әкелуі мүмкін.

2) ЭЛЕКТРОТЕХНИКАЛЫҚ ҚАУІПСІЗДІК

- a) Электроқұралдың сүңгімесі розеткаға сәйкес келуі керек. Сүңгімені ешқашан қайта жасамаңыз. Құралдарға арналған жерге тұйықталуы бар жалғастырғыш тетіктерді пайдаланбаңыз. Түпнұсқа сүңгіме мен оған сәйкес розетканы қолдану электр тоғынан зақым алу қаупін азайтады.
- b) Жерге тұйықталған түтік, радиаторлар, пештер мен тоңазтқыштар сияқты нысандарға тигізуден абай болыңыз. Дене жерге тұйықталғанда электр тоғымен зақымдану қаупі жоғары болады.
- c) Электр құрылғыны жауын немесе ылғалдың әсеріне ұшыратпаңыз. Электр құрылғыға су тиген жағдайда электр тоғымен зақымдану қаупі артады.
- d) Кабелмен жұмыс жасауда ұқыпты болыңыз. Еш уақытта кабель арқылы сүйреп тасымалдамаңыз, тартпаңыз және электр құралын өшірмеңіз. Кабелді жылу көздерінің, майдан, өткір заттардан және қозғалмалы бөліктердің жанында қалдырмаңыз. Кабелдің зақымдануы және шиеленісуі де электр тоғына түсу қаупін жоғарылатады.
- e) Үй-жайдан тыс жерде ылғалдылығы жоғары жағдайда электр құрылғымен жұмыс жасауға тура келсе, осыған арналған ұзартқыш кабелді пайдаланыңыз. Үй-жайдан тыс жерде қолдануға сәйкес болатын кабелді пайдалану электр тоғынан зақым алу қаупін азайтады.
- f) Егер электр құралын ылғал жерде қолдану қажет болған жағдайда, оны қорғаныстық ажырату құрылғысы (ҚАҚ) арқылы қосыңыз. ҚАҚ-ны қолдану электр тоғына түсу қаупін төмендетеді.

3) ЖЕКЕ БАС ҚАУІПСІЗДІГІ

- a) Электр құралын пайдалануда мұқият болыңыз, өз әрекеттеріңізді қадағалап, сау күйде жұмыс істеңіз. Егер сіз шаршап немесе есіртікінің, алкогольдің, медициналық дәрілердің әсерінде болсаңыз электр құралдарын пайдаланбаңыз. Электр құралымен жұмыс кезіндегі тіпті сәл ғана алаңдаушылық ауыр жарақаттарға соқтыруы мүмкін.
- b) Қорғаныс құралдарын пайдаланыңыз. Үнемі көзге арналған қорғаныс құралдарды қолданыңыз. Шаңға қарсы маска, тайғанамайтын қорғаныс аяқ киімі, каска және есту мүшелерін қорғауға арналған қорғаныс заттары жарақаттану қаупін азайтады.

- c) Тосыннан қосуға жол бермеңіз. Құрылғыны желіге қосу алдында ажыратқыштың ажырату қалпында тұрғанына көз жеткізіңіз. *Электр құралының орнын ауыстыру кезінде ажыратқышқа саусағыңызды тигізбеңіз және егер электр құралы қосылып тұрса сүңгімені розеткаға қоспаңыз. Бұл оқыс жағдайларға әкелуі мүмкін.*
- d) Электр құралын қосар алдында күйге келтіруші құрылғыларды немесе сомынды бұрайтын кілттерді алып тастаңыз. *Күйге келтіруші құрылғылардың немесе сомынды бұрайтын кілттердің электр құралдарының айналомалы бөліктерінде қалып қоюы жарақатқа себеп болуы мүмкін.*
- e) Қатты күш жұмсамаңыз. Үнемі тұрақты күйіңіз бен тепе теңдігіңізді сақтаңыз. *Бұл күтпеген жағдайлар кезінде электр құралын дұрыс басқаруға септігін тигізеді.*
- f) Ыңғайлы киініңіз. Кең киім кимеңіз, сәндік бұйымдар тақпаңыз. Шашыңызды, киіміңіз бен қолғаптарыңызды қозғалатын бөліктерден алысырақ ұстаңыз. *Кең киім, сәндік бұйымдар, ұзын шаштар қозғалмалы бөліктерге түсіп кетуі мүмкін.*
- g) Шаңды жинауға арналған құрылғылар бар болған жағдайда олардың қосылып әрі дұрыс жұмыс жасап тұрғанына көз жеткізіңіз. *Бұл құрылғыларды қолдану шаң әсерінен болатын зиянды азайтады.*

4) ЭЛЕКТР ҚҰРАЛДАРЫНЫҢ ҚОЛДАНЫЛУЫ МЕН ҚЫЗМЕТ КӨРСЕТІЛУІ

- a) Электр құралдарына шектен тыс күш салмаңыз. Өзіңіздің жағдайыңызға лайық электр құралдарын пайдаланыңыз. *Дұрыс таңдалған электр құралы номиналды жүктемесінде тиімді және қауіпсіз болады.*
- b) Егер электр құралының ажыратқышы жарамсыз болса қолданбаңыз. *Ажыратқышы жарамсыз электр құралы қауіпті және жөндеуді қажет етеді.*
- c) Қалып күйге келтіру, бөлшектерді ауыстыру немесе сақтау алдында электр құралын қуаттан ажыратыңыз және шүмек пен саймандардың толық сууын күтіңіз. *Бұндай сақтық шаралары электр құралының кездейсоқ іске қосылып кетуінен сақтайды.*
- d) Қолданылмай тұрған электр құралдарын балалардың қолы жетпейтін жерде сақтаңыз және құралды бұрын-соңды қолданбаған және нұсқаулықпен таныс емес адамдарға сеніп тапсырмаңыз. *Даярлығы жоқ қолданушының қолындағы құрылғы қауіпті.*
- e) Электр құралдарына техникалық қызметтер көрсетіңіз. Қозғалмалы бөлшектердің туралығы мен тегістігін, электр құралының жұмысына әсер ететін ақауларының жоқ екеніне көз жеткізіңіз. *Егер электр құралы зақымданған болса, қолданар алдында оны жөндеуден өткізу қажет. Электр құралының күтіміне дұрыс көңіл бөлеу көптеген оқыс жағдайлардың себебі болып табылады.*
- f) Кесу құралдарын тазалықта, әрі қайраулы күйде ұстаңыз. *Дұрыс қызмет көрсетілген және жақсы қайралған кесу құралдары аз сыналанып қалады және жақсы бақыланады.*
- g) Электр құралын, бөлшектер мен қондырғыларды жұмыстың шарттары мен ерекшеліктерін ескере отырып нұсқаулыққа сәйкес қолданыңыз. *Электр құралдарын алдын ала ойластырылмаған операцияларды орындауда пайдалану қауіпті жағдайларды тудыруы мүмкін.*

5) ЖӨНДЕУ

- a) Электр құралдарына жөндеуді тек арнайы мамандар тек ұқсас бөлшектерді пайдалануы арқылы жүргізіуі керек. *Бұл электр құралдарының жұмысын қауіпсіз етеді.*
- b) Егер кабелі ақауланса, электр тоғынан зақым алмау үшін оны өндіруші, оның техникалық уәкілі немесе басқа да білікті маман ауыстыруы тиіс.
- c) Материалдарды бүрку, кейбірінің қолдану қаупі белгісіз.
- d) Бүркіп шашу кезінде көзді қорғау құралын әрдайым киіңіз.
- e) Құрылғымен жұмыс кезінде көзді қорғау құралдарын киюге кеңес береді.
- f) Тез тұтанғыш еріткіштермен құрылғыны тазаламаңыз.
- g) Ескерту. Реттеу немесе қызмет көрсету алдында әрдайым сүңгімені розектадан суырыңыз.
- h) Егер құат кабелі ақауланса, оны алмастыру үшін сервистік орталыққа жүгініңіз.
- i) Көмір шөткілерін ауыстыру қажет болса, оны жөндеу бойынша білікті маман жасауы қажет (екі шөткені бірге ауыстырыңыз).

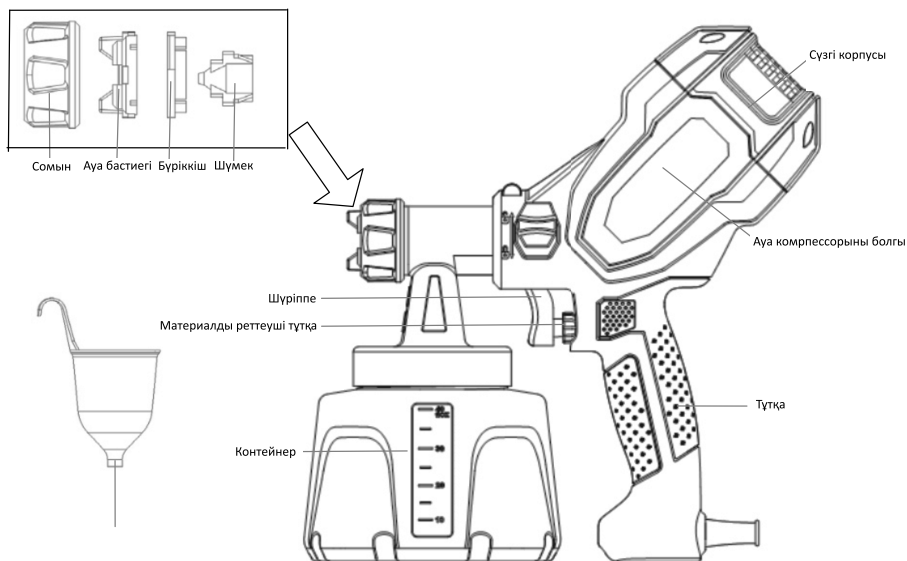
Пайдалануға жарамды қаптама материалдары

Суэмульциялы бояу, ерітінді негізіндегі бояу, эмульциялы бояу, лак, төсеме бояу, екіқұрамды бояу. Мөлдір қаптамалар, автокөлік қаптамалары, тұмшалаушы бояу материалдары және ағашқа арналған антисептикалық төсемелер

Пайдалануға жарамсыз қаптама материалдары

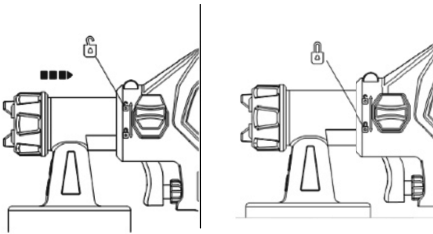
Құрамында абразивті заттар бар материалдар, қасбеттік бояу, тұмшалаушы материалдар, сілтілі еріткіштер мен қышқылды қаптамалар. 21 °С-тан төменгі температурада жанатын қаптама материалдары

Жеткізілім жиынтығы

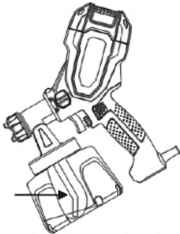


БАПТАУ

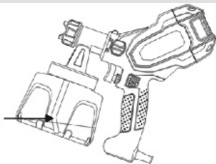
1. Ауа компрессоры блогының екі жағындағы екі бекіткішті бұрып, бұғаттаудан шешу күйіне келтіріп, бүріккіш тапаншаны ауа компрессорын блогына орнатыңыз.
2. Құрылғының екі бөлігін бекіту үшін, ауа компрессоры блогының екі жағындағы екі бекіткішті бұғаттау күйіне келтіріп бұрыңыз.

**Соратын түтікшені орнату**

Егер Сіз төменге қарай бүріккіңіз келсе, сорушы түтікшенің иілген бөлігі тапаншаның алдыңғы жағына бағытталуы тиіс.



Егер Сіз жоғарыға қарай бүріккіңіз келсе, сорушы түтікшенің иілген бөлігі тапаншаның артқы жағына бағытталуы тиіс.



Сорушы түтікшенің дұрыс орналасуы контейнерді сирек толтыруға мүмкіндік береді.

Бүрікудің алдында пайдаланылатын материалды өндірушінің нұсқауларына сәйкес еріткіштермен сұйылту қажеттігі туындауы мүмкін. Қаптамa материалын сұйылтуды өндірушінің нұсқауларында көрсетілген ұсыныстардан асырмаңыз. 21 °С-тан төменгі температурада жанатын қаптамa материалдары ешқашан қолданбаңыз.

1. Тұтқырлығын тексерудің алдында бүрікелетін материалды мұқият араластырыңыз.
2. Бүрікелетін материалға вискозиметрді толық батырыңыз.



3. Вискозиметрді ұстап тұрып сұйықтықтың толық ағып біту уақытын секундпен өлшеңіз. Бұдан әрі бұл уақыт ағу уақыты ретінде көрсетіледі.

Сұйылту кестесі

Материал	Ағу уақыты
1) Майлы эмаль	25-40
2) Майлы негіздегі төсеме	30-45
3) Майлы жылтыр	сұйылтуды қажет етпейді
4) Таза тұмшалауш	сұйылтуды қажет етпейді
5) Полиурета	сұйылтуды қажет етпейді
6) Лак	20-50

Бүрікелетін материалды, құрылғы жүйесіне еніп бітеп қалуы мүмкін бояу қалдықтарындағы кез келген қосындыларды алып тастау үшін әрдайым сүзгіден өткізу керек. Бояуда қосындылардың болуы құрылғының өнімдігін және жұмыс нәтижелерін төмендетеді.

⚠ Материалдың тұтану температурасы 21 °С-тан кем болмауы керек

Контейнерді толтыру

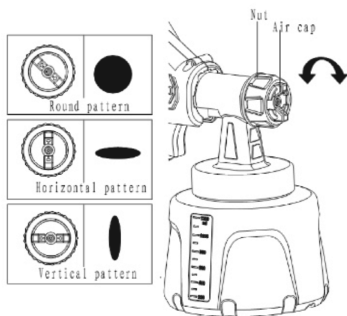
1. Тапанша-бүріккіштен контейнерді ашыңыз
2. Дұрыс сұйылтылған және сүзілген материалмен контейнерді аузына дейін толтырыңыз.



3. Контейнерді тапанша-бүріккішке абайлап бұраңыз.

БҮРКУ

Бүрку режимі ауа бастиегінің шығыңқы бөлігін тік, көлденең немесе көлбеу қалыпқа келтіру арқылы реттеледі. Ауа бастиегінің қалыптары мен сәйкесінше режимдер төменде суреттеліп көрсетілген. Әр режимді тексеріп көріп атқаратын жұмысқа қажеттіні таңдаңыз.

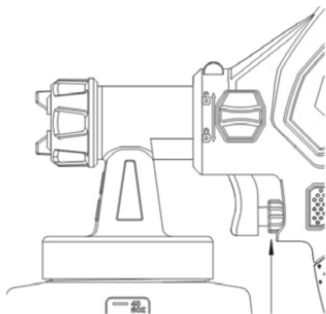


Round pattern	Айналдыра бүркі режимі
Horizontal pattern	Көлденең бүрку режимі
Vertical pattern	Тік бүрку режимі
Nut	Сомын
Air cap	Ауа бастиегі

⚠ Ауа бастиегінің қалыптарын реттеу езінде шүріппені ешқашан да баспаңыз. Тапанша-бүріккішті дененің қандай да бір бөліктеріне ешқашан бағыттамаңыз.

Материал шығынын реттеу

Тапанша-бүріккіштің шүріппесінде орналасқан реттеушіні айналдыру арқылы материал шығынын реттеңіз.



Дұрыс бүрку техникасы

Егер сіз сымдалған ауаны жоғары тұтынумен төменгі қысымдағы жүйелермен жұмыс істеп көрмеसेңіз, болжанған дайындамамен жұмыстардан бұрын ағаш не картон кесіндісінде жаттығып көріңіз.

Беткі қабатты дайындау

Материалды бүркудің алдында өңделетін нысандарды тазалаңыз. Қажет болған жағдайда материал бүркілуге тиісті емес жерлерді қоршаңыз.

Жұмыс орнын даярлау – тек үй-жайлардан тыс пайдалану

Жаңа өңделген бетке шаң тимеуі үшін, жұмыс жүргізілетін жер жақсылап тазаланған болуы керек.

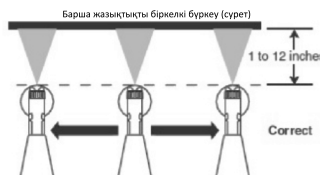
Бүрку тәртiбi

-Бүріккішті өңделетін бетке перпендикуляр қалыпта, қолданылып отырған режимдегі бүрку көлеміне байланысты кемі 1 (бір) дюйм қашықтықта ұстаңыз.

-Материалды төменде көрсетілгендей, тұрақты жылдамдықтағы бірсарынды қозғалыспен үстіңгі бетке параллель бірқалыпты бүркіңіз. Бұл қаптаманың ал-құла болмауын (ағып кету, бүгіліс, т.б.) қамтамасыз етеді.

-Бірінші рет жүргізіп өткенде жұқалай жағыңыз да, қалыңдап жағылатын жағылу екінші рет жүргізудің алдында бояудың бірінші қабатының кебуін күтiңіз.

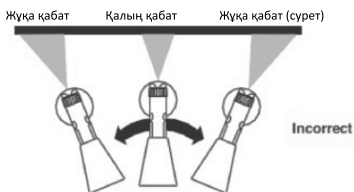
-Бүріккіш өңделетін бетке жақын болған сайын, шашырандылар аз болады.



1 to 12 inches	1-12 дюйм
Correct	ДҰРЫС

Тұрақты жылдамдықпен бірсарынды қозғалтыңыз.

•Әрдайым бүрку кезінде жағылатын аумақ басталған жерден шүріппені басыңыз және жағылатын аумақ аяқталғанда шүріппені жіберіңіз. Бүріккішті өңделетін бетке қаратып ұстаңыз және біркелкі және кәсіби нәтижеге жету үшін жағу аумағын аздап қана жаба бүркіңіз.



Incorrect	Дұрыс емес
-----------	------------

ТАЗАЛАУ

Тапанша-бүріккішті тазалау

- Әркез тапанша-бүріккіштің сыртын сумен шайыңыз.
- Тазарту аймағы тұтанатын булардан таза болуы тиіс.
- Тазарту аймағы жықсы желдетілетін болуы тиіс.
- Ауа компрессорын қандай да бір СҰЙЫҚТЫҚТАРҒА САЛМАҢЫЗ.**

1. Құрылғыны электр желісінен ажыратып, тапанша-бүріккіште қалған материалды контейнерге түсіру үшін шүріппені басыңыз



2. Контейнерді ашыңыз. Ондағы қалған материалды өз ыдысына құйыңыз.

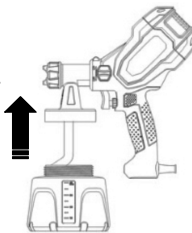


3. Сәйкес келетін тазарту құралын (латексті материалдар үшін жылы сабынды су, майлы материалдар үшін уайт-спирт) аз көлемде контейнерге құйыңыз. **Контейнерді тазартыңыз және тазарту құралын тиісті түрде жойыңыз.**

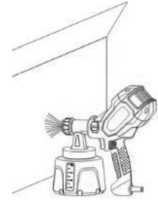


4. Контейнерге **ЖАҢА** жуушы ертіндіні құйыңыз.

5. Контейнерді тапанша-бүріккішке бекітіп, қосыңыз.



6. Қауіпсіз жерде ертіндіні тапанша арқылы екі секунд тай мерзімде шашыратыңыз. Екі секунд тағы шашыратыңыз. Құрылғыны электр желісінен ажыратып, қалдық ертіндіні контейнерге түсіру үшін шүріппені басыңыз.



7. Контейнердің ішін, тапаншаны тазалап сүртіңіз.



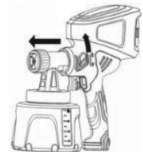
8. Сомынды бұрап ауа бастиегі мен шумекті шығарыңыз.

9. Контейнерді, сору түтікшесін, ауа бастиегін және шумекті шөткінің және жуу ертіндісінің көмегімен тазалаңыз.

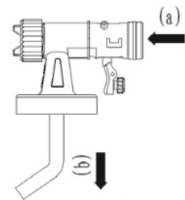


Тапанша-бүріккіштің шумегі мен ауа саңылауларын өткір металл заттармен ешқашан тазаламаңыз. Құрамында силиконы бар ертінділер мен майлау материалдарын қолданбаңыз

10. Ауа компрессоры блогының екі жағындағы екі бекіткішті бұғаттаудан босату қалпына бұрып, тапанша-бүріккішті ауа компрессоры блогынан ажыратыңыз.



11. а) сәйкес келетін жуу ертіндісінің көмегімен тапанша-бүріккіштің артқы бөлігін тазартыңыз.
- б) тапанша-бүріккіштен сору түтікшесін шығару үшін, оны сағат тіліне қарсы бұрап төмен тартыңыз. Сосын сору түтікшесін сәйкес келетін жуу ертіндісінің көмегімен тазартыңыз.

**Назар аударыңыз!**

1 сору түтікшесі (3) мен 2 сору түтікшесі (5) арасындағы нығыздаушы сақинаны (4) тазалаудан соң орнына салу қажет. Олай болмаған жағдайда болудың белгілі бір бөлігі контейнерден ауа өткізгішке таралып, құрылғының жұмысына әсер етуі мүмкін.

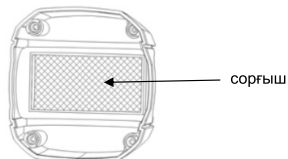
ҚЫЗМЕТ КӨРСЕТУ

Ауа сүзгісі мен ауа компрессоры блогының ластанбауын тексеріп тұрыңыз. Ластанса, төмендегі нұсқаулар бойынша әрекет етіңіз.

1. Тапанша-бүріккішті электр желісінен ажыратыңыз. Қажетті аспаптың көмегімен (мысалы жалпақ бұрағыштың) сүзгінің қақпағын ашыңыз.



2. Ластанған сүзгілерді шығарып жаңасына алмастырыңыз.



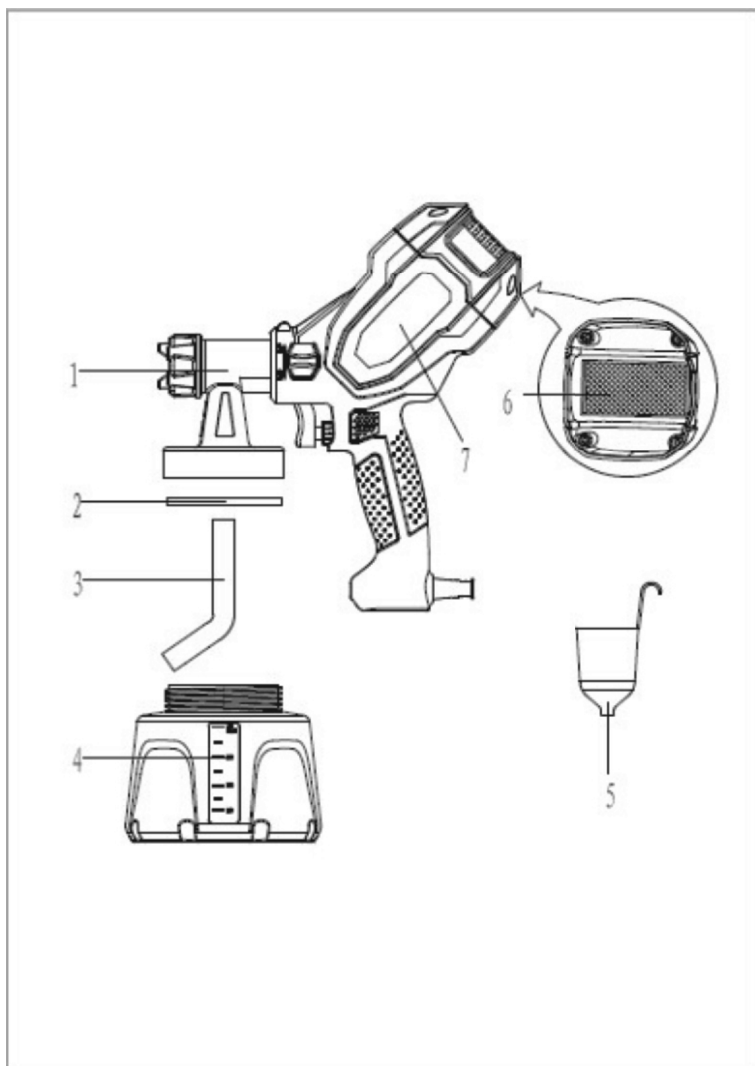
3. Қақпақты трубинаға қайта орнатыңыз.

Құрылғыны ешқашан да ауа сүзгілерінсіз қолданбаңыз. Құрылғының ішіне кір еніп, оның жұмыс істеуіне әсер етуі мүмкін.

АҚАУЛАРДЫ ЖОЮ

<u>Мәселе</u>	<u>Себебі</u>	<u>Шешімі</u>
A. Материалдың әлсіз ағыны немесе оның мүлде болмауы	<ol style="list-style-type: none"> 1. Шүмек бітеліп қалған. 2. Соруды түтікше бітелген. 3. Материал шығыны тым төмен (-). 4. Соруды түтікше нашар бекітілген 5. Контейнерде қысым жоқ. 6. Ауа сүзгісі бітелген. 	<ol style="list-style-type: none"> 1. Тазалаңыз. 2. Тазалаңыз. 3. Шығынды көбейтіңіз. 4. Орнатыңыз. 5. Контейнерді бекітіңіз. 6. Ауыстырыңыз.
B. Материал ағады	<ol style="list-style-type: none"> 1. Шүмек нашар бекітілген 2. Шүмек тозған. 3. Шүмектің нығыздаушысы тозған. 4. Материал ауа бастиегі мен шүмекке жиналып қалған. 	<ol style="list-style-type: none"> 1. Ауыстырыңыз. 2. Ауыстырыңыз. 3. Ауыстырыңыз. 4. Тазалаңыз.
C. Бүрку нәтижесі кедір-бұдыр	<ol style="list-style-type: none"> 1. Материал тым тұтқыр 2. Материалдың көлемі үлкен. 3. Материалдың шығыны үлкен (+) 4. Шүмек бітелген. 5. Ауа сүзгісі бітелген. 6. Контейнердігі қысым әлсіз. 	<ol style="list-style-type: none"> 1. Сұйылтыңыз. 2. Шығынды азайтыңыз (-). 3. Шығынды азайтыңыз (-). 4. Тазалаңыз. 5. Ауыстырыңыз. 6. Контейнерді бекітіңіз.
D. Бүркігенде бүлкідеп шапиды	<ol style="list-style-type: none"> 1. Контейнердегі материал тауысылуға жақын. 2. Ауа фильтрі бітелген. 	<ol style="list-style-type: none"> 1. Толықтырыңыз. 2. Ауыстырыңыз.
E. Ағулар мен кедір-бұдырлар бар	<ol style="list-style-type: none"> 1. Материал тым көп шығындалуда 	<ol style="list-style-type: none"> 1. Материал шығынын реттеңіз және тапаншаны жылдамырақ қозғаңыз.
F. Бүрку көп	<ol style="list-style-type: none"> 1. Тапанша өңделетін жерден тым алыс ұсталған. 2. Материал тым көп жағылуда 	<ol style="list-style-type: none"> 1. Арақашықтықты қысқартыңыз. 2. Шығынды азайтыңыз (-)
G. Дақтары бар тым жұқа қабат	<ol style="list-style-type: none"> 1. Тапанша тым жылдам қозғалтылуда 	<ol style="list-style-type: none"> 1. Материал шығынын реттеңіз және тапаншаны ақырын қозғаңыз.

БӨЛШЕКТЕР ТІЗІМІ



БӨЛШЕКТЕР ТІЗІМІ

Нөмір	Бөлшектің сипаттамасы	Саны
1	Бүріккіш блогы	1
2	Контейнердің нығыздаушысы	1
3	Сорушы түтікше	1
4	Контейнер	1
5	Визкозиметр	1
6	Ауа сүзгісі	1
7	Ауа компрессоры блогы	1

ҚОРШАҒАН ОРТА



Электротехникалық бұйымдарды тұрмыстық қалдықтармен бірге тастауға болмайды. Оларды қайта өңдеуге арнайы жою орталықтарына тапсыру қажет. Жоюға байланысты ұсыныстар алу үшін жергілікті билік органдарына немесе сатушыға жүгініңіз. Содан соң олар қоршаған ортаға әсерін азайту мақсатында қайта өңделеді немесе жойылады.

Электрлік және электронды құрылғылардың құрамындағы қауіпті заттар қоршаған орта мен адамдардың денсаулығына теріс әсер етеді. Сондай-ақ бұл құрылғыны жою мақсатында дүкене немесе сатушыға (немесе Dexter дилеріне) қайтарсаңыз болады.

Сондай-ақ бұл құрылғыны жою мақсатында дүкенге немесе сатушыға (немесе Dexter дилеріне) қайтарсаңыз болады.

Сәйкесік сертификаты № TC RU-CN.M632.A.00422

**ЕС НОРМАСЫНА СӘЙКЕСТІК ТУРАЛЫ
ДЕКЛАРАЦИЯ (ҰЛЫБРИТАНИЯ)**

Біз, PLD3110 Электрлік Сырлағыш пульт
мод.17312377 келесі стандарттар мен құжаттарға сәйкес екендігін
бар жауапкершілікпен мәлімдейміз:

Парития нөмірі: **208994070420**

ЕС 2006/42ЕС директивалары
Электромагниттік үйлесімділік директивасы 2014\30\EU
ROHS директивасы(EO)2015/863, 2011/65/EU директивасына өзгертілді

Стандарттарға сәйкес:

EN 60745-1:2009+A11:2010

EN 50580:2012+A1:2013

EN 55014-1:2017

EN55014-2:2015

EN IEC 61000-3-2:2019

EN61000-3-3:2013

IEC 62321-3-1:2013

IEC 62321-4:2013

IEC 62321-5:2013

IEC 62321-6:2015

IEC 62321-7-1:2015

IEC 62321-7-2:2017

IEC 62321-8:2017

Соңғы екі сан CE таңбасы берілген жылды білдіреді: **20**

Шанхайда 10/01/2020 кол койылған

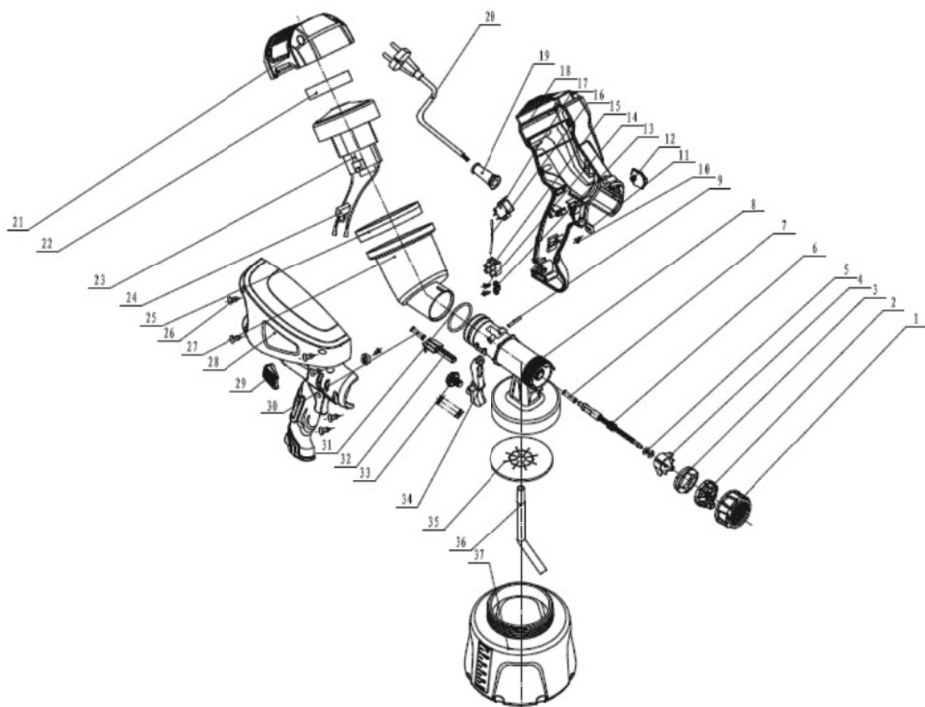


Richie PERMAL

Сапа жөніндегі басшы

Julien Ledin өкілетті тұлғасы, ADEO сапажөніндегі басшысы

ADEO Services 135 Rue Sadi Carnot - CS 00001 59790RONCHIN – Франция



КЕПІЛДІК

1. PRACTYL компаниясының өнімі жоғары дәрежелі стандарттарға сәйкес жасалды. PRACTYL компаниясы өз өніміне LM RUSSIA үшін 12 ай, LM ROMANIA 24 ай кепілдік береді. Бұл кепілдік барлық болуы мүмкін материал мен өндіріс ақауларына беріледі. Басқа адамға немесе материалдарға қатысты көз-келген тікелей немесе жанама шағымдар қанағаттандырылмайды. PRACTYL өнімі арнайы кәсіптік қолданысқа арналмаған.
2. Мәселелер мен ақаулардың туындауы жағдайында ең алдымен PRACTYL компаниясының дилеріне жүгіну қажет. Көп жағдайда PRACTYL компаниясының дилері мәселені шешіп немесе ақауды жөндей алады.
3. Жөндеу мен бөлшектерді ауыстыру кепілдіктің алғашқы уақытын соза алмайды.
4. Кепілдік тоздыру мен дұрыс жұмыс жасамау салдарынан болған ақауларға берілмейді. Бұлардың қатарына ажыратқыштың, қорғаныс шынжырлары мен қозғалқыштардың тозуы жатады.
5. Кепілдік міндеттемелеріне байланысты шағымдар келесідегідей шарттар шеңберінде ғана қабылданады:
 - Сатып алынған күні чек түрінде расталған.
 - Басқа тұлғалармен ешқандай жөндеу немесе бөлшектерді ауыстыру жүргізілмеген.
 - Құрылғы дұрыс пайдаланылған (қысым болмаған және оған басқа өнімдер арқылы толықтырулар енгізілмеген)
 - Сыртқы әсер ету салдарынан, мәселен құм немесе тастан зақымдану болмаған.
 - Техникалық қауіпсіздік және қолдану ережесі сақталмау нәтижесінен болған ақаулары жоқ.
 - Біздің тарапымыздан болатын күтпеген жағдайлары жоқ.
 - Шағымға сипаттама берілген.
6. Кепілдік бойынша қызмет көрсету шарттары біздің сату және жеткізу ережелерімізбен бірге қолданылады.
7. PRACTYL компаниясына тиесілі PRACTYL дилері арқылы қайтарылған жарамсыз өнімдерді PRACTYL компаниясы өнімнің қорабымен бірге ғана қабылдайды. Егер тұтынушы PRACTYL компаниясына тауарды тікелей қайтарса, PRACTYL компаниясы бұндай тауарларға жол шығындарын тұтынушы өтеген жағдайда ғана қызмет көрсете алады.
8. PRACTYL компаниясы дұрыс қапталмаған өнімдерді қабылдамайды.