



see what Delta can do™

BATHROOM FAUCET

- **Vero® Bath Collection**
- **Single Handle Deck Mount**
- **Single Hole Riser Model**

STANDARD SPECIFICATIONS:

- Max. flow rate 1.2 gpm @ 60 psi, 4.5 L/min @ 414 kPa
- GPM indicates max 1.0 gpm @ 60 psi, 3.8 L/min @ 414 kPa
- Solid brass fabricated body
- Single hole mount
- Metal drain with push pop-up type fitting with plated flange and stopper (Just for 553LF series models)

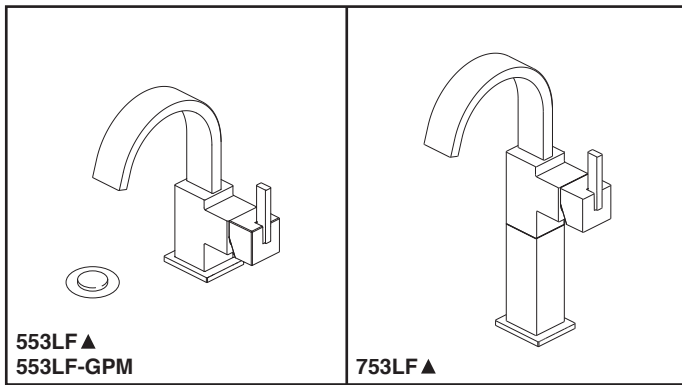
WARRANTY

- Parts and Finish - Lifetime limited warranty; or for commercial purchasers, 10 years for multi-family residential (apartments and condominiums) and 5 years for all other commercial uses, in each case from the date of purchase.
- Electronic Parts and Batteries (if applicable) - 5 years from the date of purchase; or for commercial purchasers, 1 year from the date of purchase. No warranty is provided on batteries.



COMPLIES WITH:

- ASME A112.18.1 / CSA B125.1
- ASME A112.18.2 / CSA B125.2
- ♿ Indicates compliance to ICC/ANSI A117.1 - Valve control only
- EPA WaterSense® - Applies to 553LF and 753LF only
- Verified compliant with 0.25% weighted average Pb content regulations.

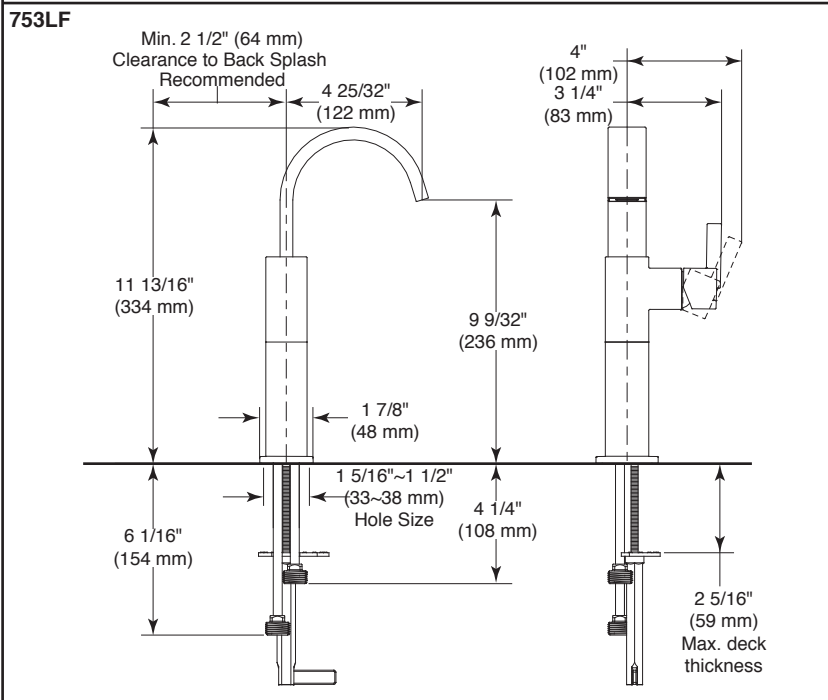
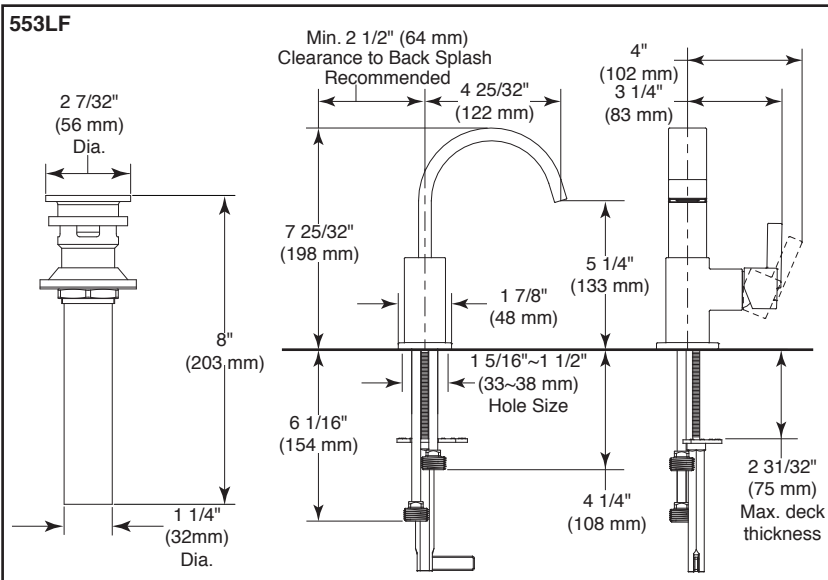


553LF ▲
553LF-GPM

753LF ▲

Submitted Model No.:

Specific Features:



▲ Designate proper finish suffix

Delta reserves the right (1) to make changes in specifications and materials, and (2) to change or discontinue models, both without notice or obligation. Dimensions are for reference only. See full-line price book or www.deltafaucet.com for finish options and product availability.

Delta Faucet Company

55 E. 111th Street, Indianapolis, IN 46280
350 South Edgeware Road, St. Thomas, ON N5P 4L1
© 2020 Delta Faucet Company