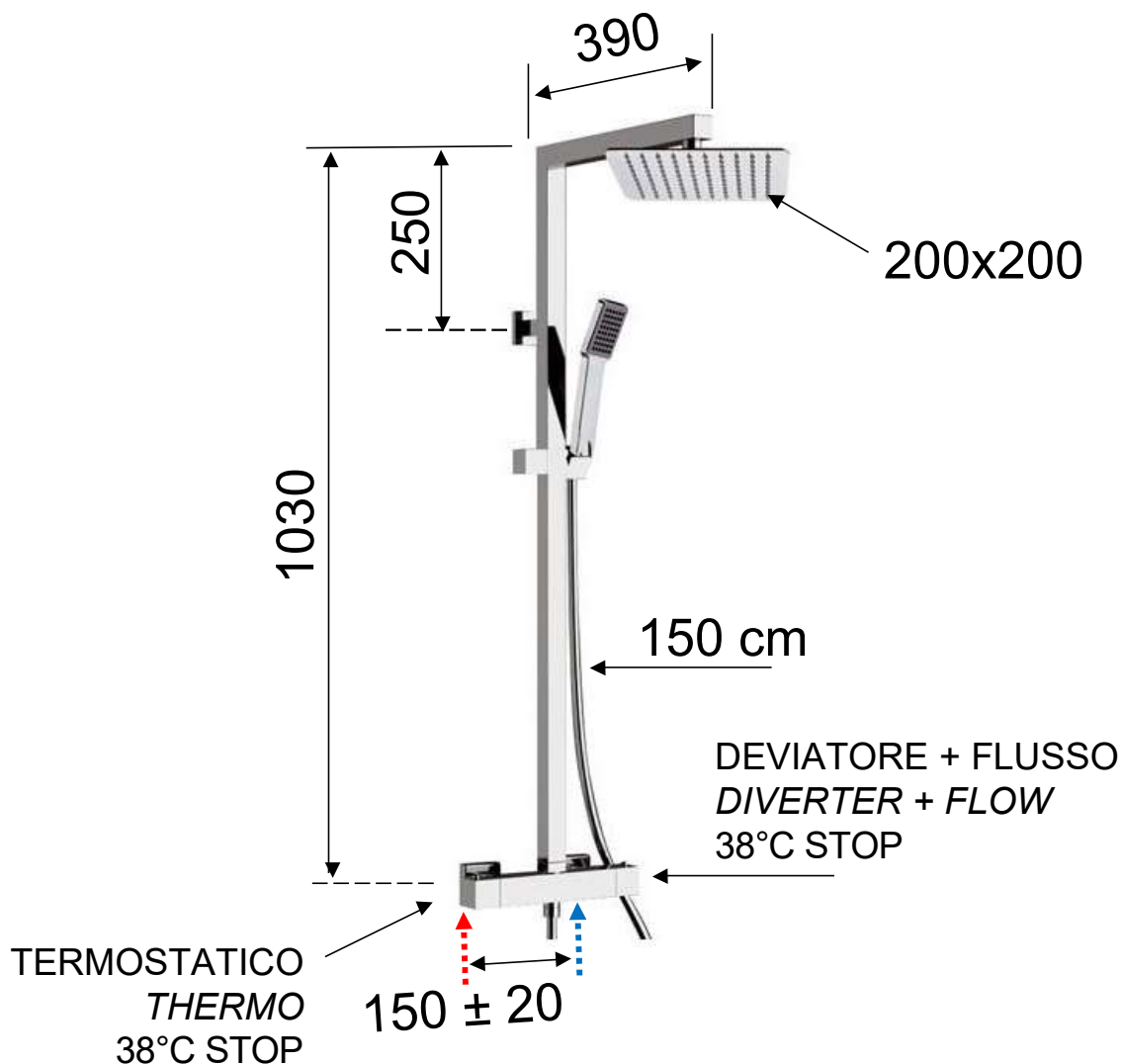


ART. COD. **ZT636B**



MATERIALI / MATERIALS

OTTONE CROMATO / CHROME PLATED BRASS
ACCIAIO INOX / STAINLESS STEEL - ABS

CROMATURA / CHROME PLATING

UNI EN 248