

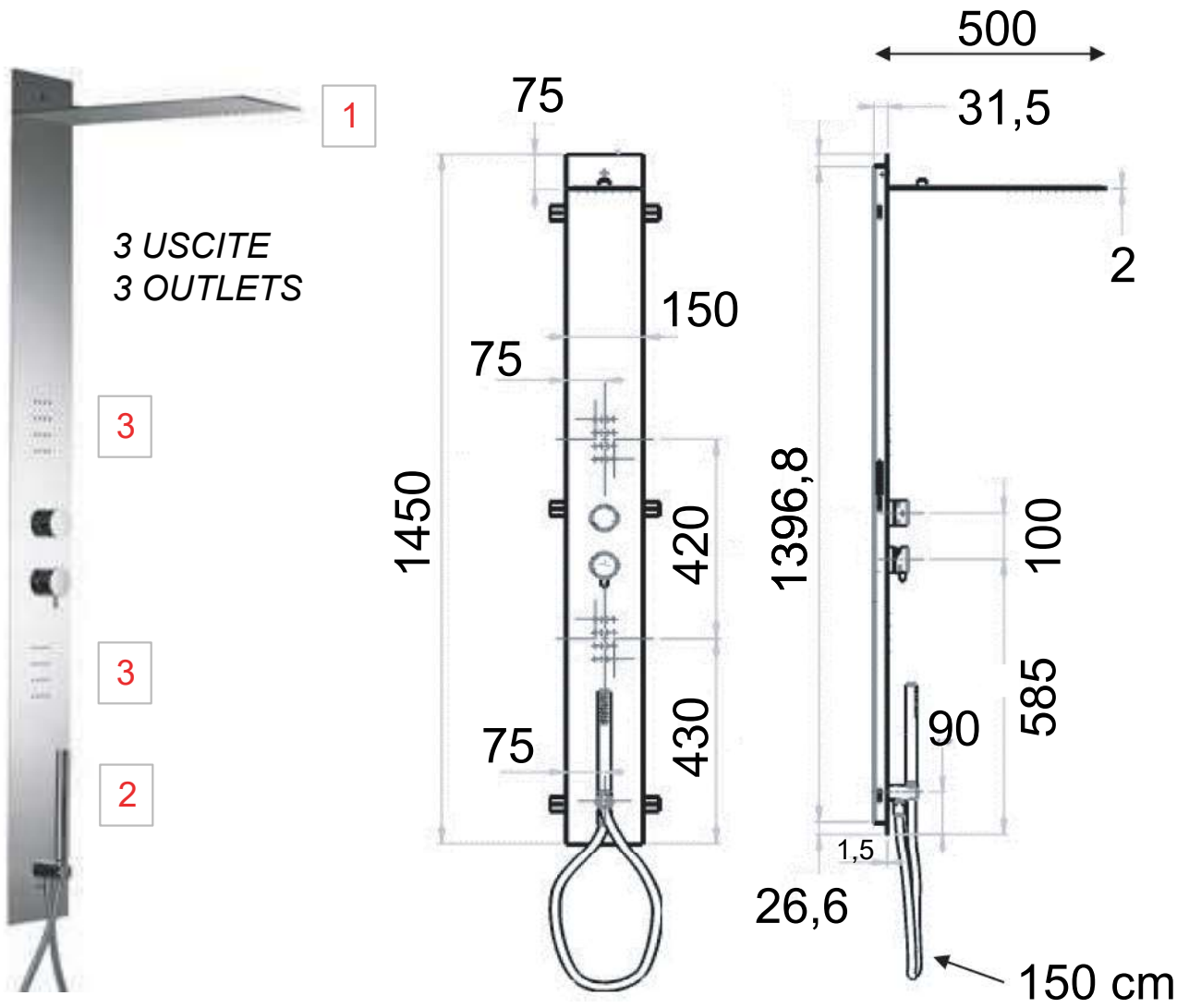


**DANIEL**

SCHEDA TECNICA TECHNICAL FEATURES

ART. COD.

**A243CM15J**



**MATERIALI / MATERIALS**

AISI 304 / ABS / PVC