

INFINITY auxiliaries (1/3)

Materials

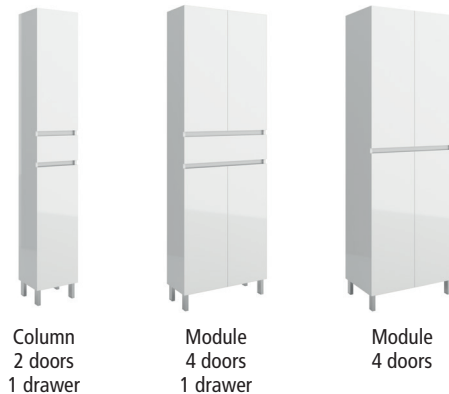
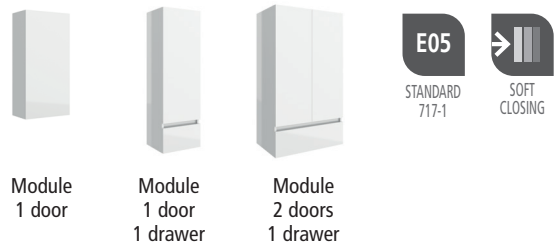
- **Manufacturing fronts (thickness = 16mm)::**
 - **White gloss:** Laminated particle board lacquered with UV high-gloss polyester paint.
 - **Matt gray, Oak Caledonia, Oak Eternity:** laminated particle board.
- **Side manufacturing (thickness = 16mm):**
 - **Gloss white:** high gloss laminated particle board.
 - **Matt gray, Oak Caledonia, Oak Eternity:** laminated particle board.
- **Manufacture internal structure (thickness = 16mm):** Nude Leather finish laminated particle board.

*All the boards used in the manufacture of this furniture are classified as class E05 with a low formaldehyde content.

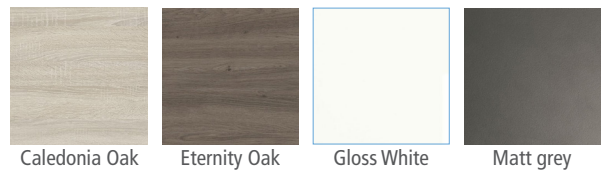
*Edges according to design PVC, ABS. (edged with PUR glue)

Hardware

- **Suspended module hangers** Hanger with a load capacity of 35 kg / unit according to EN 15939 in the test frame A. Height and depth adjustment. Lateral adjustment on hanging plate.
- **Doors:** Hinged with CLIP quick-mount hinges. Cushioned closure by piston. Fingernail opening
- **Shelves** Height adjustable wooden trays.
- **Drawers:** Wooden drawer with ball guides.
- **Legs:** 4 ABS legs, 20x40mm, height 100mm, bright chrome



Exterior finishes



Interior finishes



Dimensions and weight of the packaging according to the measurement of furniture in mm.

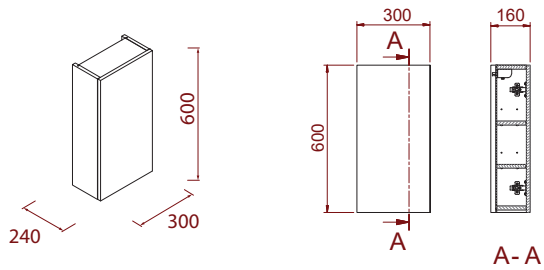


	300x160x300	300x240x940	600x240x940	300x240x1820	600x240x1820	600x370x1820
Width mm.	360	360	660	345	645	645
Depth mm.	205	285	285	285	285	415
Height mm.	645	985	985	1780	1780	1860
Net weight Kg.	8,3	13,1	19,7	21,3	36,1	41,3
Gross weight Kg.	9,1	14,5	21,4	23	35,6	44,5

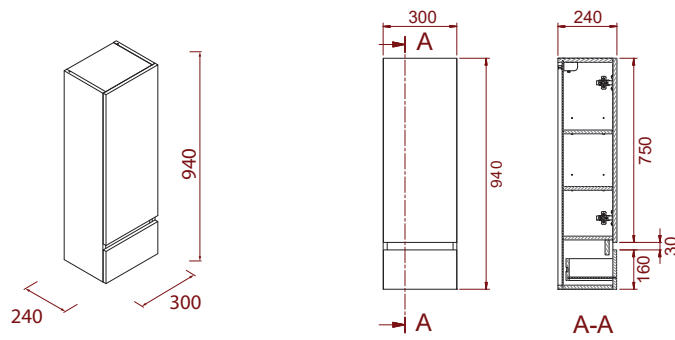
INFINITY auxiliaries

Dimensional sketch

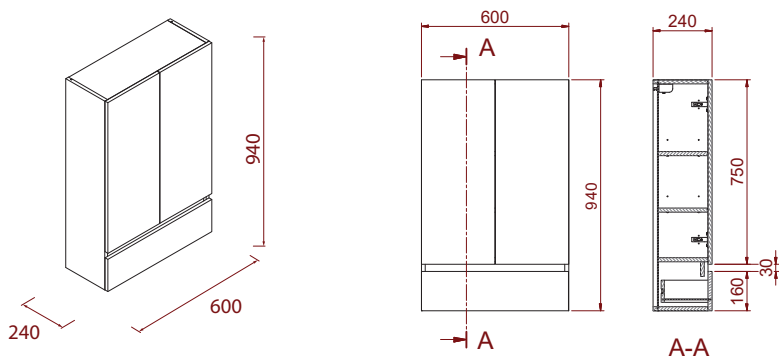
- 1 door module



- 1 door + 1 drawer module

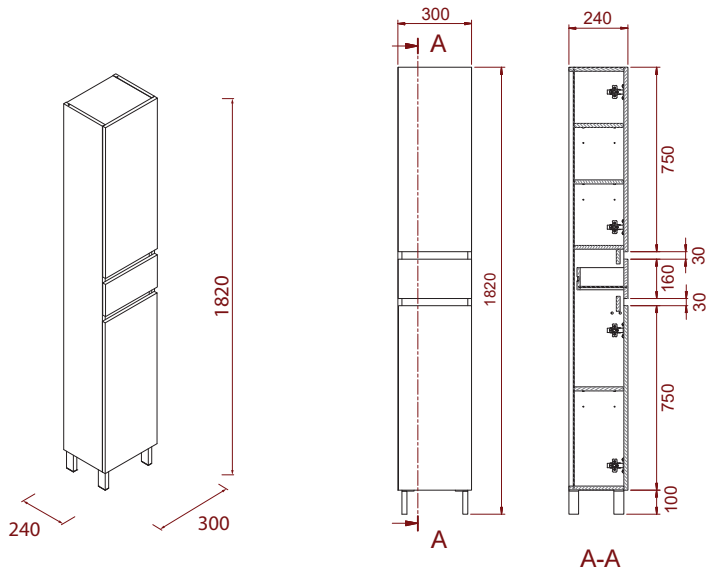


- 2-door module + 1 drawer



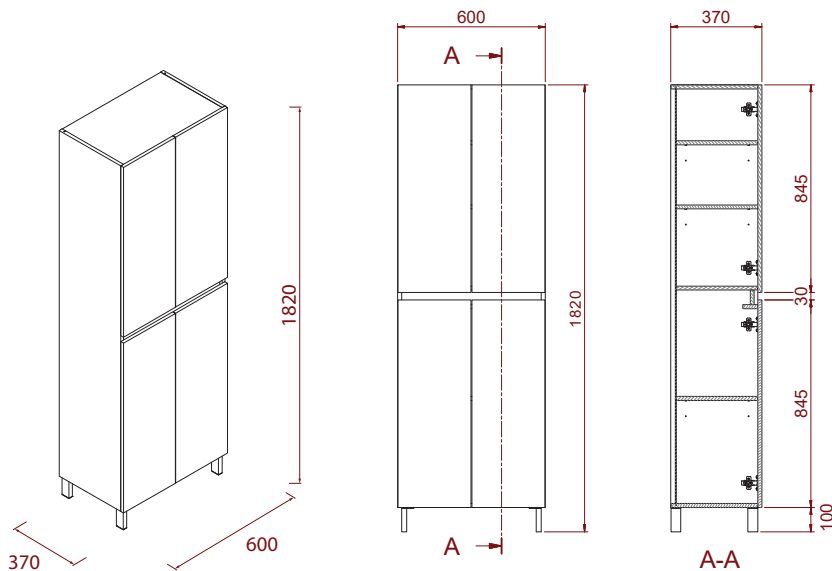
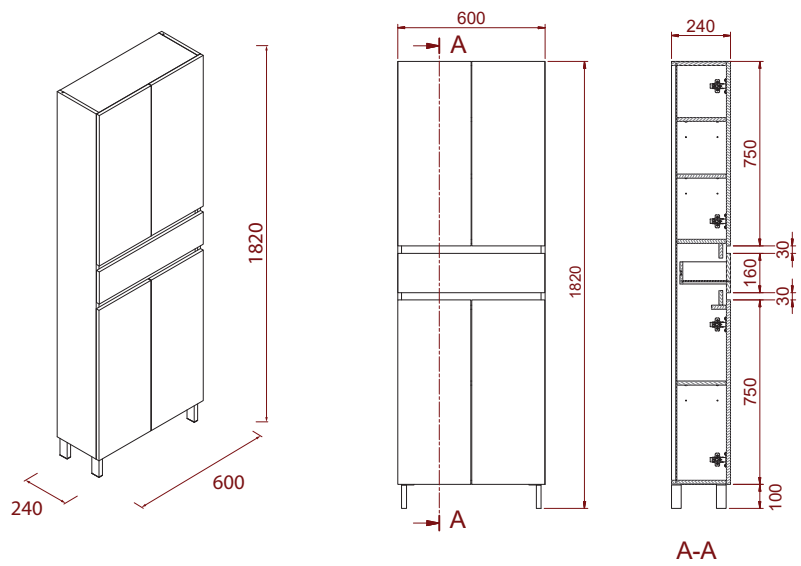
INFINITY auxiliaries

Dimensional sketch



• Column 2 doors + 1 drawers

• Module 4 doors + 1 drawer



• Module 4 doors