



IBRUBINETTI

Collection

HERMES

Article

HR320

Description

Spout



Box Dimensions

175 x 125 x 90 mm

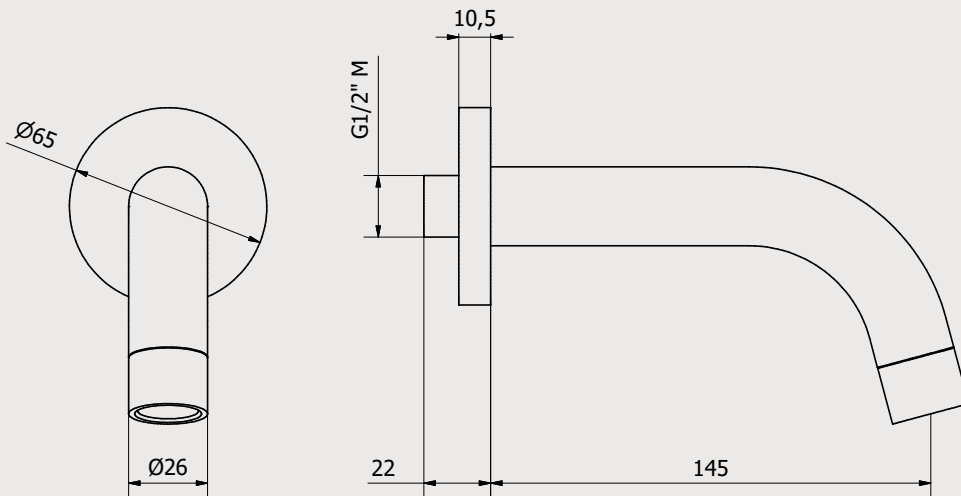
Weight

0.3 kg

Finishes

- CC**
CHROME
- CF**
BLACK CHROME
- BG**
GLOSSY WHITE
- NG**
GLOSSY BLACK
- SS**
BRUSHED NICKEL
- CS**
BRUSHED BLACK CHROME
- BO**
MATT WHITE
- NP**
MATT BLACK
- OO**
GOLD
- BB**
ANTIQUÉ BRONZE
- II**
PALE GOLD
- RR**
ANTIQUÉ COPPER
- ORS**
ROSE GOLD
- ON**
NATURAL BRASS
- IS**
BRUSHED PALE GOLD
- HH**
PVD CHOCOLATE

Dimensions



Cartridge

Treaded fitting

Treaded fitting G1/2" male

Aerator

M24X1 perlator coin slot

Flow Rate (+/-10%)

1 BAR
10 l/min

2 BAR
14 l/min

3 BAR
17 l/min

Production

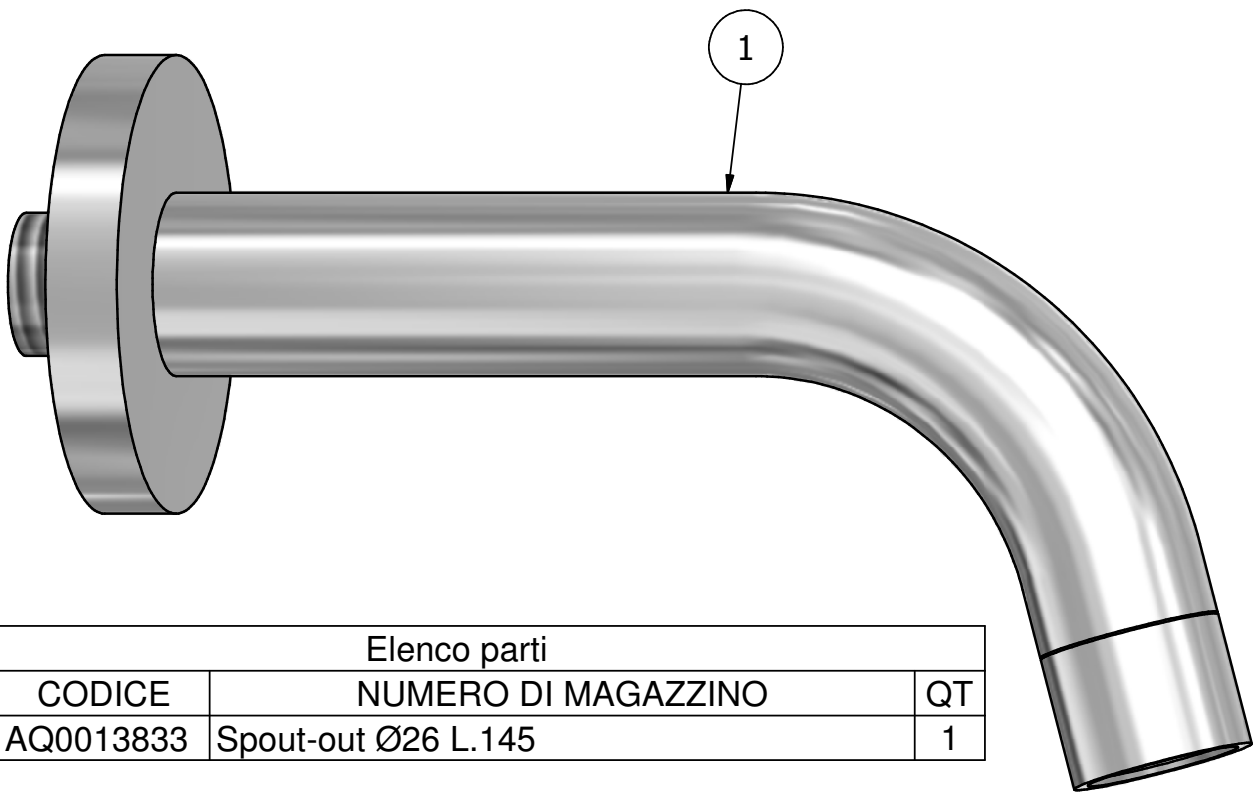
Main body is a single casted piece

Material

BRASS
According to CuZn35Pb2Al-B (CB752S)
Max Lead content:1.36%



IB RUBINETTI



Elenco parti			
EL	CODICE	NUMERO DI MAGAZZINO	QT
1	AQ0013833	Spout-out Ø26 L.145	1

WARRANTY

All IB Rubinetterie SpA products are warranted for 10 years from the date of purchase, for the following cases:

- Defects of casting, porosity and chrome plating.
- Operating defects caused by incorrect fabrication.

The warranty provides for repair or replacement of products with fabrication defects recognized by our technical office. There is no other type of compensation anche the merchandise must be returned FOB our warehouse. The warranty only cover surface defects (scatches, dings, etc.) on fitting that have not been installed and used, returned in its original packaging with all components. O-ring, gasket seals and components subject to wear proportional to use are warranted for 2 years.

The warranty is void in the following cases:

Error installing and putting the product into service.

Deterioration of finisched surfaces due to use of cleaning products containing acids or abrasive substances. Deterioration of surface with finishes other than chrome plating. Their durability is, in fact, dependent on the user's care and gentleness of use.

Deterioration of the fitting due incorrect installation.

Improper repairs and maintenance performed without the company's prior authorization.

The warranty from IB Rubinetterie SpA is not renewable.

Cleaning

We recommended cleaning the finish surfaces with water and soap, using a soft cloth.

Do not use detergents that cointain hydrochloric acid or abrasive substances.

