

# SIDE PANEL



## IMPORTANT

Thank you for choosing Merlyn. Please familiarise yourself with the fitting instructions before commencing fitting.

1. Check that you have the tools required.
2. Check that the installation site is compatible with size of door supplied
3. Check all the enclosure components.
4. Check that the installation kit is complete

**DO NOT attempt** to install the product unless you can tick ALL 4 boxes as satisfactory.

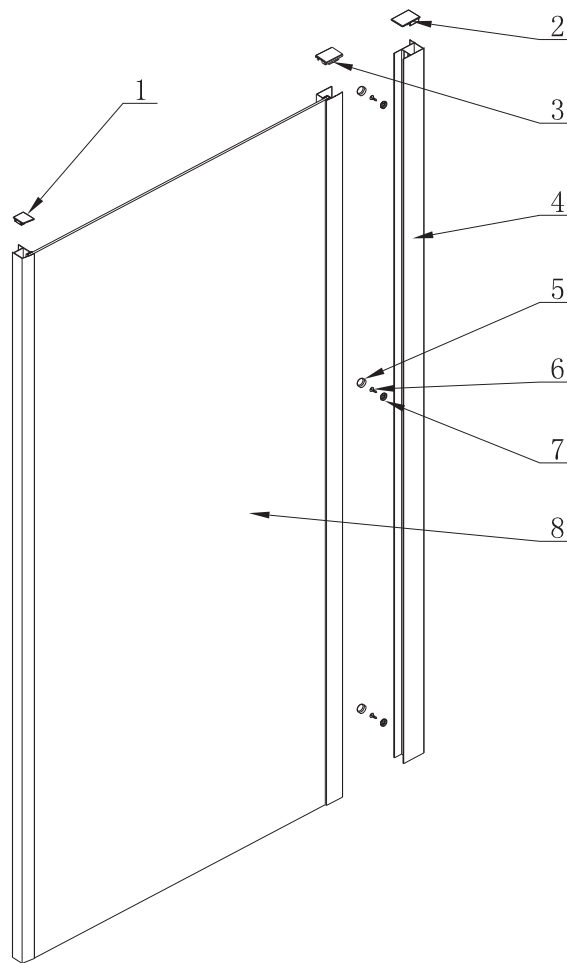
The wall plugs supplied with the installation kit are for use in solid walls. Hollow or 'stud-partition' walls will require alternative fixings. Please consult a hardware supplier for the correct type.

It may also be necessary to consult your tiling supplier about the correct method for drilling your tiles.

### USE SAFETY EYEWEAR WHEN DRILLING

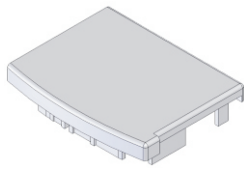
Any parts missing or damaged must be reported to your supplier within 5 days of purchase. Inspect shower enclosure before fitting. No claims will be acceptable after product has been installed.



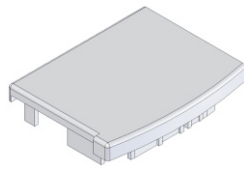


No.	Description	QTY	Part No.	No.	Description	QTY	Part No.
1	corner post cover cap	2	V2108L/R	5	Screw cover cap	3	V2109
2	Wall profile cap	1	V2104	6	Flat head ST4×12	3	V4110
3	side panel upright profile cap	2	V2103L/R	7	Screw cover cap clip	3	V2114
4	Extension profile (only for 760/800 side panel)	1	M6EXT	8	Fixed panel	1	A

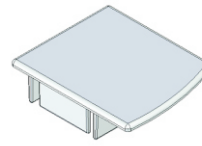
**Note:** Further part details for fixing kit available on page 2



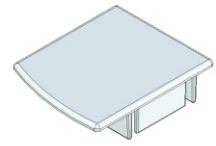
V2103R  
×1



V2103L  
×1



V2108L  
×1



V2108R  
×1



V2109  
×3



V2114  
×3



V4110  
×3

---

## Tools Required

- 6mm masonry drill bit
- Power drill
- Quality Silicone
- Pencil
- Tape Measure
- #2 Philips Headscrew driver
- Spirit level with horizontal and vertical level indicators

---

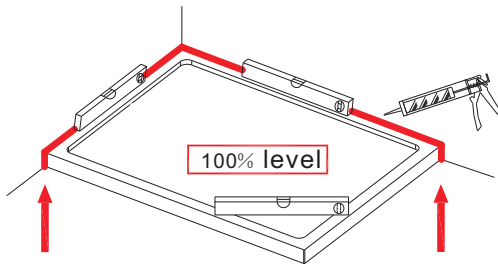
## IMPORTANT - Installation site

1. Ensure the top surface of the shower tray on which the enclosure will be installed is level in every direction.
2. The tiles or other wall finishing should be effectively sealed at the tray edges.
3. Tiles should extend at least to the corners of the tray and a minimum of 2.0 metres from the top of the tray.

## PROCEDURE

### TRAY MUST BE 100% LEVEL IN ALL DIRECTIONS

Ensure the shower tray is level in all directions and is properly sealed to the wall. The wall must be tiled down to the top edge of the tray. **Do not angle out bottom tile.**



### TRAY MUST BE SEALED FULLY AROUND WHERE THE TRAY MEETS THE WALL.

#### Note:

For installation of the pivot door, bifold door or Sliding door, please see the door instruction manual. Recommended that the pivot door is hinged from a supporting wall and not the side panel.

#### Step 1.

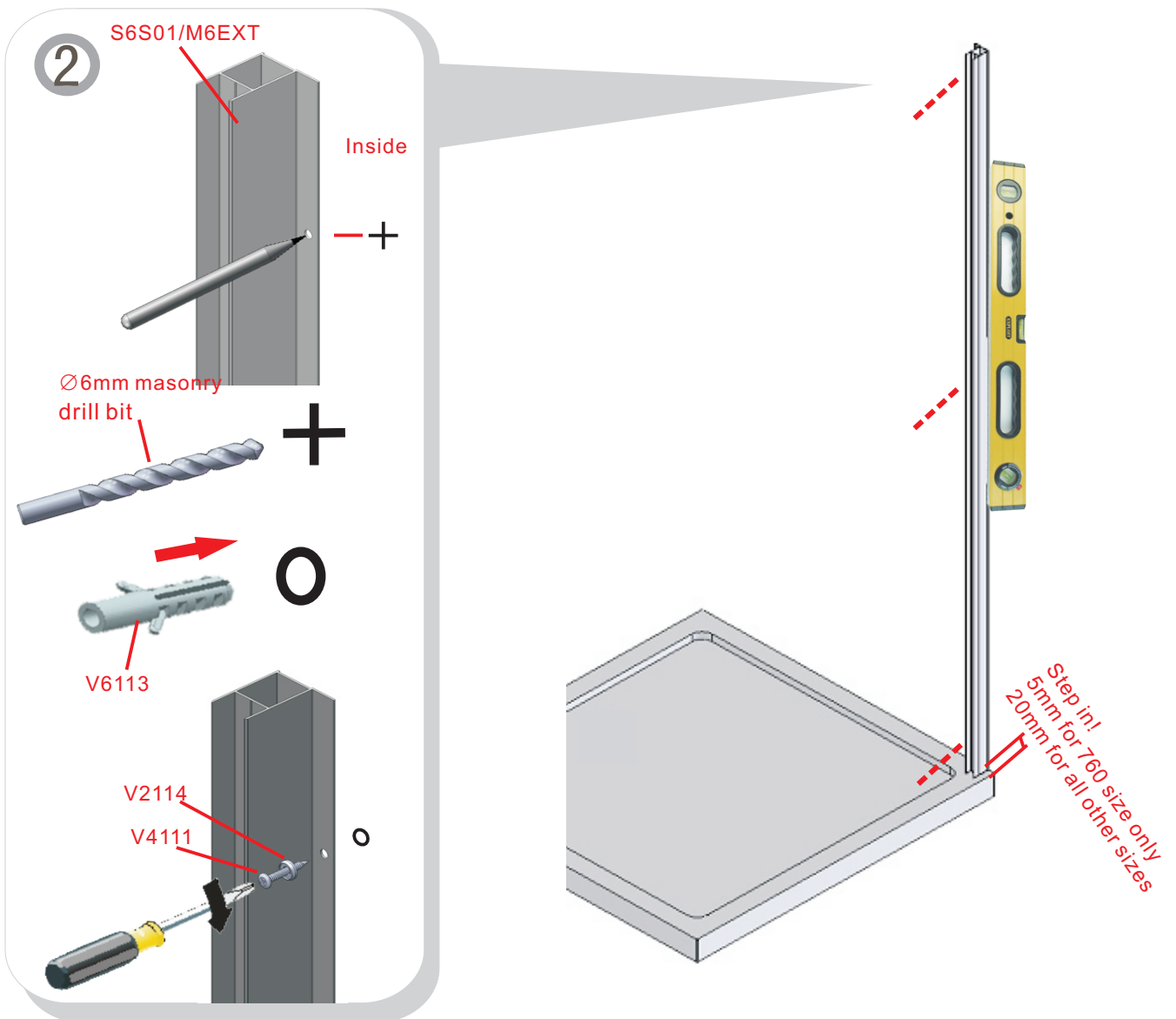
Step in wall profile (5mm for 760 size only / 20mm for all other sizes) from the front edge of the shower tray. Ensure wall profile plumb

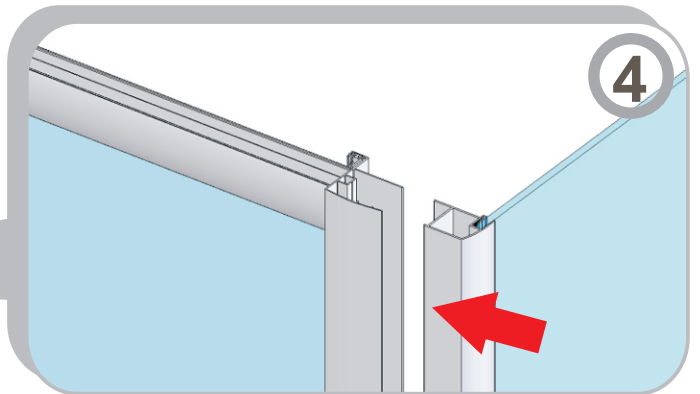
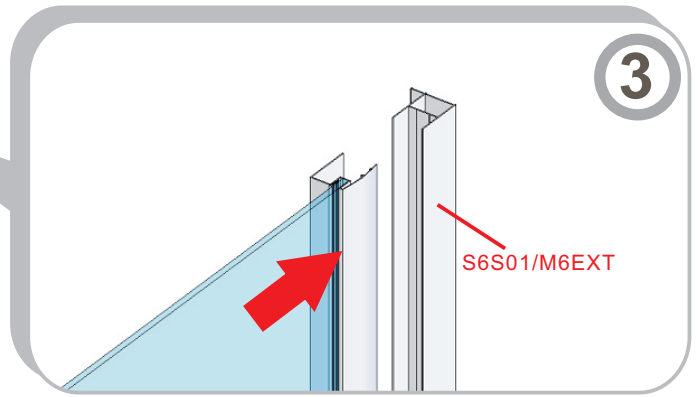
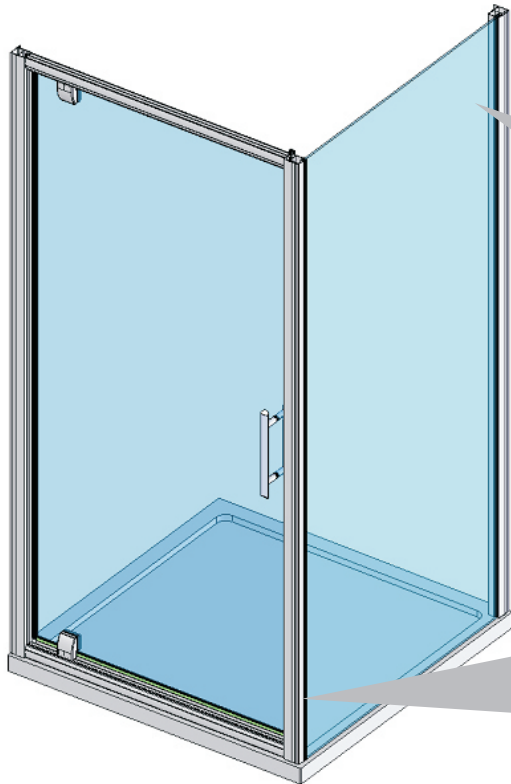
**Do not silicone behind wall profile to wall, see sealing section.**

**IMPORTANT:** Use the extension profile M6EXT with an 800 tray only (supplied with 760/800 side panel). For other sizes use the standard wall profile supplied in the door box.

#### Step 2.

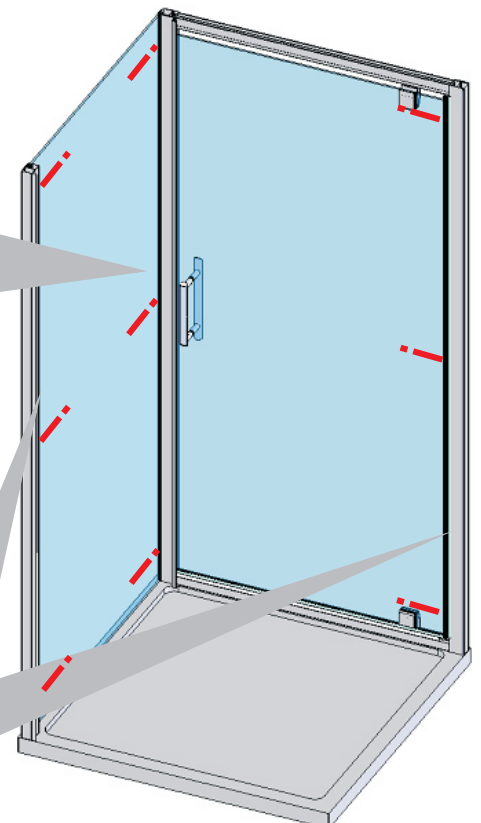
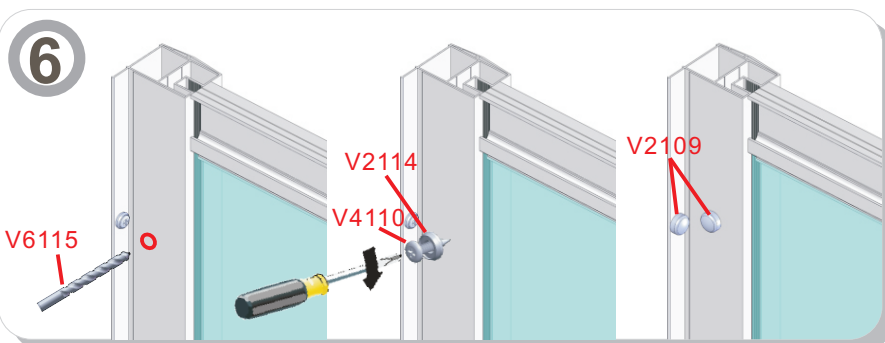
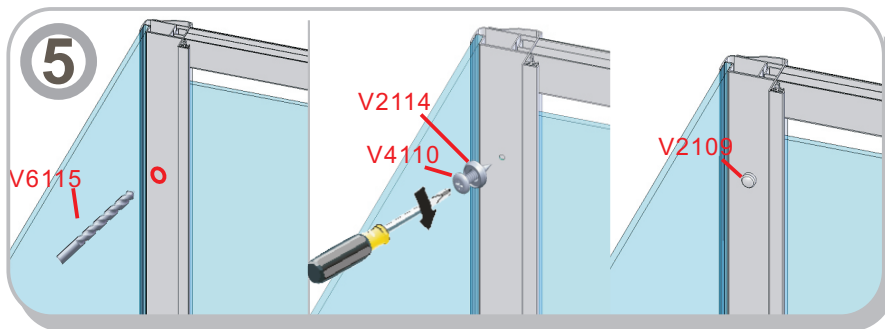
Mark the position for fixing the wall profile to wall.

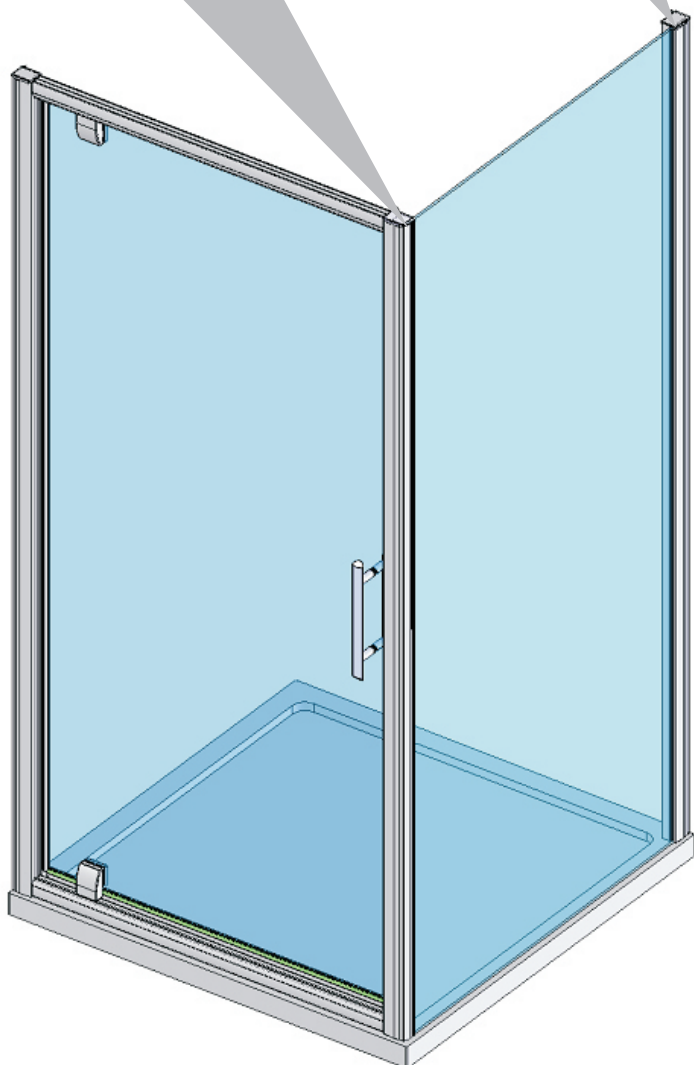
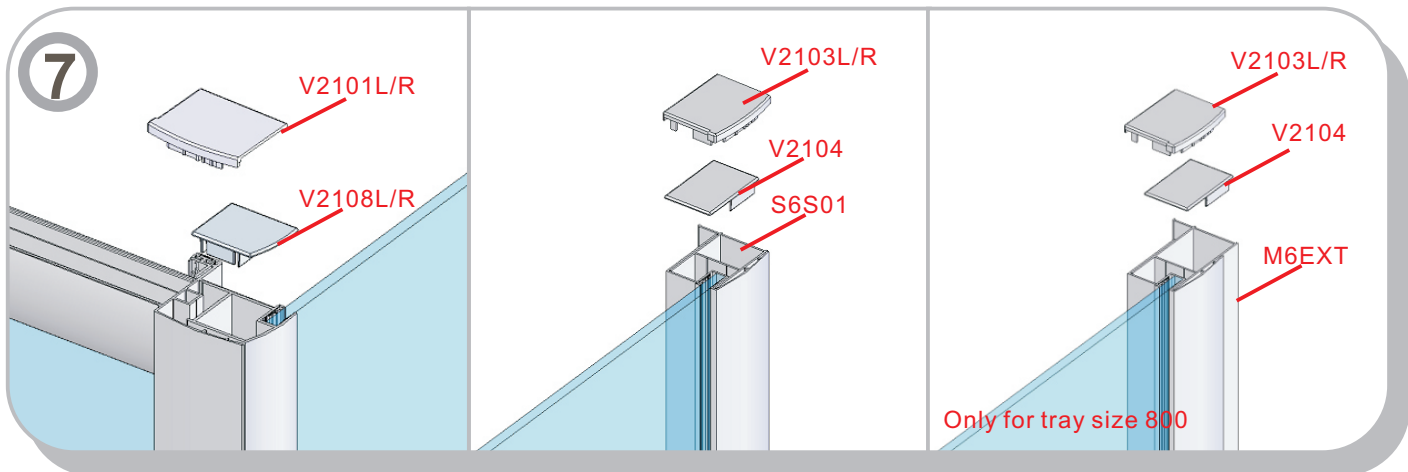




**Step 3**  
Fit the side panel to other wall profile.

**Step 4**  
Fit the side panel to the assembled frame.





**Step 7**  
Fit top profile cover cap.

## Step 8.

Use a quality silicone sealant and applicator gun to seal the finished door.

### SEALING INSIDE

Seal top to bottom on the **INSIDE** between the wall profile and the wall.

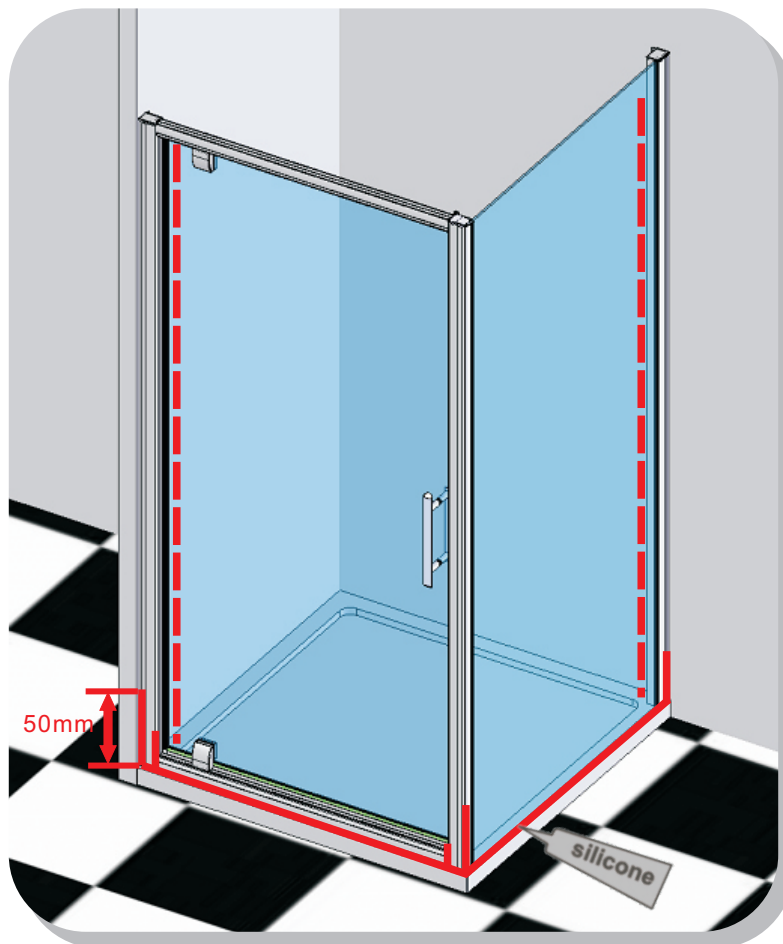
**Note:** Do not apply sealant on the inside of the tray.

### SEALING OUTSIDE

Seal only along bottom on the **OUTSIDE** between glass/rail/profile and the tray and approx 50mm up between the wall profile and the wall. Seal joint between bottom profile and upright profile.



**DO NOT** use the enclosure for 24 hrs



## TROUBLE SHOOTING GUIDE

### DOOR NOT ALIGNING

1. Is the tray 100% level? (see page 3)
2. Have the walls been checked at different levels to ensure consistency?
3. Are the fixed panel wall profiles stepped in correctly? (see step 1, page 3)
4. Do the finished tile measurements on the tray comply with the adjustment listed on the label and in the specifications book?
5. Is the door sealed correctly? (see step 8)