



# Underscore® Rectangle

## 5" Bubblemassage™ Whirlpool Bath

### K-1167-XH2GL

#### Features

- 122 airjets release thousands of bubbles that surround, support, and massage the body.
- Variable-speed blower lets you adjust airjet massage intensity to 18 levels.
- Zones of Control™ feature allows you to target massage to back, midsection, or feet.
- 8 hydromassage jets can be individually adjusted for water flow and direction.
- Variable-speed pump for adjusting hydromassage intensity.
- Built-in heater.
- Lighted keypads.
- Sloping backrest provides comfort.
- Integral flange helps prevent water from seeping behind wall and simplifies alcove installation.
- Slotted overflow allows for deep soaking.
- Immediate and manual purge cycles remove residual water from air channels after use.

#### Material

- Acrylic.

#### Hydrotherapy

- BubbleMassage.
- Whirlpool.

#### Installation

- Left drain.
- Alcove.
- Requires 240V hard-wire electrical service.

#### Required Products/Accessories

K-7271 Brass Slotted Overflow Bath Drain

or

K-9698 Flexjet® Whirlpool Trim Kit

#### Recommended Products/Accessories

K-1491 Bath/Whirlpool Pillow  
 K-1601 Bath/Whirlpool Footstop  
 K-9497 2-1/2" Keypad Trim  
 K-24916 Wireless Music Kit  
 K-7272 PVC Slotted Overflow Bath Drain  
 K-23726 Drain treatment  
 K-23732 Tub & shower cleaner



#### Codes/Standards




ASME A112.19.7/CSA B45.10  
 CSA B45.5/IAPMO Z124  
 ASTM E162  
 ASTM E662  
 UL 1795  
 CSA C22.2 No. 218.2  
 EPA TSCA Title VI

**KOHLER® Plastic Baths and Receptors**  
**Lifetime Limited Warranty**  
**KOHLER® Hydrotherapy Components**  
**Five-Year Limited Warranty**

See website for detailed warranty information.

#### Available Colors/Finishes

*Color tiles intended for reference only.*

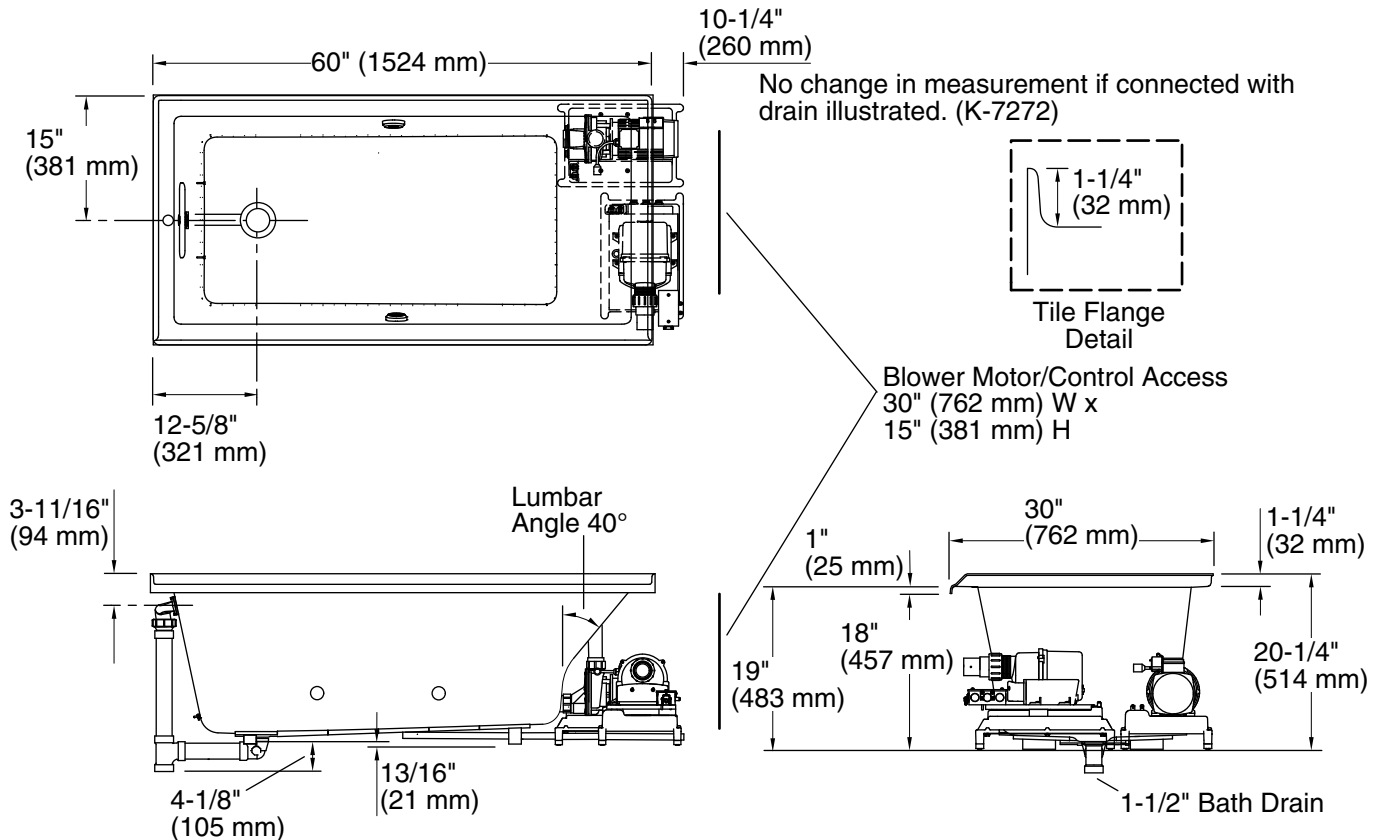
Color	Code	Description
	G9	Sandbar
	33	Mexican Sand™
	K4	Cashmere



# Underscore® Rectangle

## 5" Bubblemassage™ Whirlpool Bath

### K-1167-XH2GL



### Required Electrical Service

One dedicated circuit required, protected with Class A Ground-Fault Circuit-Interrupter (GFCI). Outside North America, this device may be known as a Residual Current Device (RCD).

Blower, Pump, 220-240 V, 20 A, 50/60 Hz  
Heater:

### Technical Information

All product dimensions are nominal.

Installation: Three-wall alcove  
 Drain location: Left  
 Basin area, bottom: 42-7/16" x 20" (1078 mm x 508 mm)  
 Basin area, top: 54-5/16" x 24-1/4" (1380 mm x 616 mm)  
 Weight: 157 lbs (71.2 kg)  
 Minimum floor load: 53.9 lbs/ft<sup>2</sup> (263.2 kg/m<sup>2</sup>)  
 Water depth: 15-1/8" (384 mm)  
 Water capacity: 59.8 gal (226.4 L)  
 Electrical component rating:  
 Blower: 220-240 V, 5 A, 50/60 Hz  
 Pump: 220-240 V, 11 A, 50/60 Hz  
 Heater: 220-240 V, 50/60 Hz, 1500 W  
 Minimum flat for door: 1-15/16" (49 mm)

### Notes

Measure your actual product for rough-in details. Install this product according to the installation instructions.

The hot water supply should be 70% of the capacity of the bath or greater. Installations will vary.

This unit is not intended for flush-mount apron installation.

**IMPORTANT!** Dry fit the drain assembly prior to installing the bath. The bath cannot be installed with all drain components attached.

The pump base extends 10-1/4" (260 mm) beyond the edge of the rim. Modify the framing as needed.